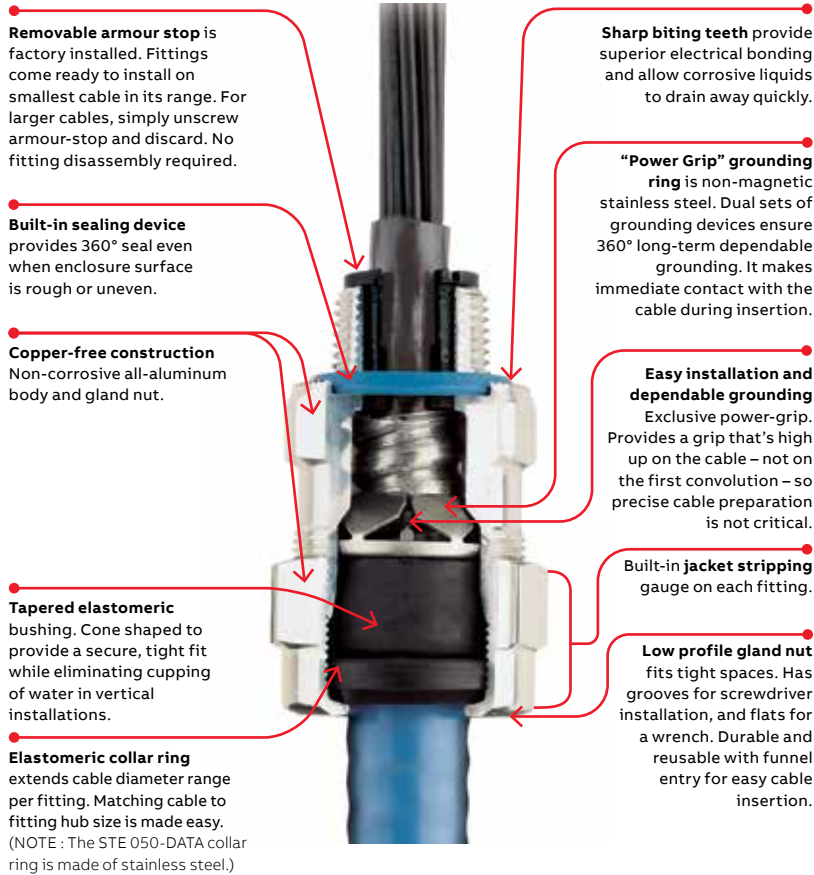


Star Teck Extreme (STE) series fittings for Teck cable and ACWU cable



Suggested specifications for metal-clad cable or Teck cable fittings in hazardous locations:

1. All metal-clad cable fittings for jacketed and non-jacketed interlocked armour cable, continuous corrugated cable or Teck cable shall be approved by a nationally recognized testing laboratory, inspection agency or product evaluation organization.
2. Where corrugated-jacketed, metal-clad cable exposed to intermittent or continuous moisture is terminated into a threaded opening, the fitting shall be watertight type furnished with:
 - a. an elastomeric beveled bushing.
 - b. a funnel entry, splined gland nut.
 - c. a non-magnetic, stainless steel grounding device with dual grounding action.
 - d. a taper threaded hub.
 - e. a hexagonal body and gland nut as manufactured by ABB (aluminum series STE050).
3. A synthetic rubber sealing device shall be captivated in a shoulder groove providing optimized sealing even on irregular surfaces. The configuration shall also prevent over-compression of the seal such as ABB series STE050, by incorporating a shoulder groove.
4. With single-conductor cable and/or in corrosive environments, aluminum fittings such as ABB series STE050 shall be installed.
5. All metal-clad cable fittings, for jacketed and non-jacketed interlocked armour cable, shall provide external bonding/grounding teeth capable of penetrating surface finishes to contact enclosure base metal (ABB series STE050).
6. All metal-clad cable fittings, for jacketed and non-jacketed interlocked armour cable, shall incorporate an easily removable armour stop, not requiring fitting disassembly, ensuring proper positioning of the cable armour during cable termination (ABB series STE050).

Easy installation

- 01 Prepare cable
- 02a Insert cable
- 02b For larger cables, unscrew and discard armour stop.
- 03 Tighten gland nut



01



02a



02b



03

Warning:

Always ensure that the system is de-energized before performing any installation.

Star Teck Extreme (STE) series fittings for Teck cable and ACWU cable



Star Teck Extreme fittings are designed to accommodate a broad range of cables and fittings in the field. Available in hub sizes from ½ to 4 in., Star Teck Extreme fittings will terminate outer jacket diameters from 0.500 to 4.340 in.

Cat. no.	Hub size (in.)	Strip length (in.)	Gland torque (lb-in.)	Range over jacket (in.)		Range over armour (in.)		A1 throat dia. min. (in.) w/ armour stop	A2 throat dia. min. (in.) w/o armour stop	B* overall (in.)	C max. O.D. (in.)
				Min.	Max.	Min.	Max.				
STE050-DATA	½	⅞	300	0.500	0.700	0.410	0.610	0.375	0.515	2.100	1.360
STE050	½	1¼	300	0.600	0.985	0.520	0.895	0.505	0.617	2.520	1.630
STE075	¾	1¼	600	0.860	1.205	0.780	1.125	0.645	0.819	2.840	2.080
STE100	1	1¼	700	0.950	1.375	0.870	1.295	0.785	1.044	3.020	2.300
STE125	1¼	1¼	1 000	1.150	1.625	0.990	1.465	0.970	1.250	4.010	2.820
STE150	1½	1¼	1 200	1.440	1.965	1.280	1.805	1.260	1.562	4.290	3.250
STE200	2	1¾	1 600	1.825	2.375	1.665	2.215	1.645	1.995	4.120	3.600
STE250	2½	2½	1 600	2.265	2.840	2.105	2.680	2.075	2.424	5.670	4.750
STE300	3	2½	1 600	2.670	3.270	2.545	3.145	2.531	2.890	5.780	5.400
STE350	3½	2½	1 600	3.220	3.870	3.090	3.640	3.065	3.414	5.740	5.900
STE400	4	2½	1 600	3.665	4.340	3.550	4.225	3.525	3.914	5.790	6.400

* Approximate dimension before installation.

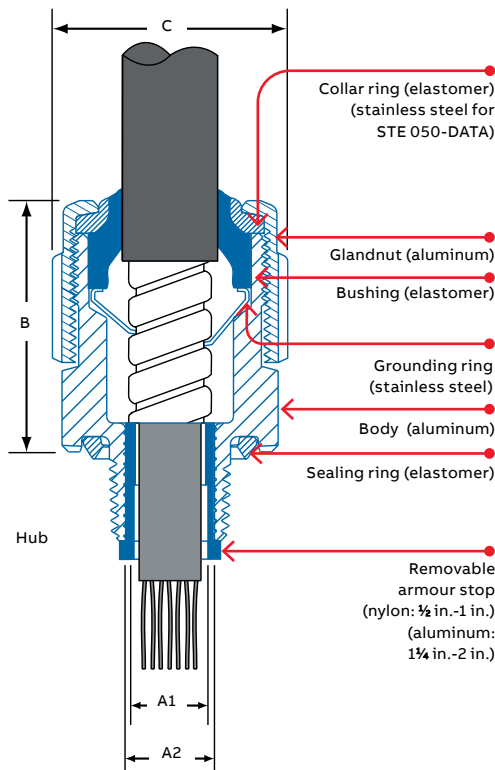
Materials

- Aluminum: The above listed catalogue numbers relate to aluminum fittings.
- Steel: The body and gland nut on hub sizes ½ to 1½ inch are made of steel. The body and gland nut on 2- to 4-inch hub sizes are made of malleable iron. To order a steel fitting, add the suffix "S" to the catalogue number (example STE050S).

Certifications

- Type HLA. CSA Certified Class II, Divisions 1 and 2, Groups E, F, and G; Class III and Enclosure ½ to 2 Type 4, 4X and 6P, 2½ to 4 Type 4 and 4X, Classes I, II and III. Suitable for Class I Division 1 locations when used in combination with a certified Class I sealing fitting. Also suitable for Class I Division 2 when installed in accordance with the applicable electrical code. Complies with IEC requirements for Class 1, Zones 1 and 2, when used in combination with a certified Class I hazardous location sealing fitting.
- UL listed for metal-clad cable, Type 6P. STE050-DATA is UL listed with cables from 0.592 to .693 in. over jacket.

Note - To order fittings complete with aluminum Bond Star locknut and lug, add the suffix "GRL" to the catalogue number (example STE050GRL). For complete details refer to pages A21-A22 of this section.



Star Teck Extreme (STE) series fittings for Teck cable and ACWU cable

Broadest range of Teck cable diameters per hub size

Star Teck Extreme cat. no.	Star Teck cat. no.	Hub size (NPT) (in.)	Range over jacket (in.) min. - max.
Eleven catalogue numbers cover the range from 0.500 to 4.340 inches.			
v	ST038-461S	3/8	0.344 – 0.535
STE050-DATA	–	1/2	0.500 – 0.700
	ST050-462	1/2	0.525 – 0.650
	ST050-464	1/2	0.526 – 0.760
STE050 0.600 – 0.985 in.	ST050-462	1/2	0.525 – 0.650
	ST050-464	1/2	0.526 – 0.760
	ST050-465	1/2	0.725 – 0.885
	ST050-466	1/2	0.825 – 0.985
STE075 0.860 – 1.205 in.	ST075-467	3/4	0.880 – 1.065
	ST075-468	3/4	1.025 – 1.205
STE100 0.950 – 1.375 in.	ST075-467	3/4	0.880 – 1.065
	ST075-468	3/4	1.025 – 1.205
	ST100-469	1	1.187 – 1.375
	ST125-470	1 1/4	1.350 – 1.625
STE125 1.150 – 1.625 in.	ST075-468	3/4	1.025 – 1.205
	ST100-469	1	1.187 – 1.375
	ST125-470	1 1/4	1.350 – 1.625
	ST125-550	1 1/4	1.500 – 1.625
	ST125-471	1 1/4	1.600 – 1.875
STE150 1.440 – 1.965 in.	ST125-470	1 1/4	1.350 – 1.625
	ST125-550	1 1/4	1.500 – 1.625
	ST125-471	1 1/4	1.600 – 1.875
	ST150-472	1 1/2	1.700 – 1.965
	ST150-473	1 1/2	1.900 – 2.187
	ST200-551	2	1.900 – 2.187

Tinted cells are additional sizes.

Star Teck Extreme cat. no.	Star Teck cat. no.	Hub size (NPT) (in.)	Range over jacket (in.) min. - max.
Eleven catalogue numbers cover the range from 0.500 to 4.340 inches.			
STE200 1.825 – 2.375 in.	ST150-472	1 1/2	1.700 – 1.965
	ST150-473	1 1/2	1.900 – 2.187
	ST200-551	2	1.900 – 2.187
	ST200-474	2	2.100 – 2.375
STE250 2.265 – 2.840 in.	ST200-475	2	2.300 – 2.565
	ST200-474	2	2.100 – 2.375
	ST200-475	2	2.300 – 2.565
	ST200-476	2	2.500 – 2.750
	ST250-477	2 1/2	2.380 – 2.640
STE300 2.670 – 3.270 in.	ST250-478	2 1/2	2.580 – 2.840
	ST300-479	3	2.790 – 3.060
	ST250-478	2 1/2	2.580 – 2.840
	ST300-479	3	2.790 – 3.060
STE350 3.220 – 3.870 in.	ST300-480	3	3.000 – 3.270
	ST300-481	3	3.210 – 3.480
	ST300-480	3	3.000 – 3.270
	ST300-481	3	3.210 – 3.480
	ST350-482	3 1/2	3.420 – 3.690
STE400 3.665 – 4.340 in.	ST350-483	3 1/2	3.610 – 3.870
	ST400-484	4	3.810 – 4.030
	ST350-483	3 1/2	3.610 – 3.870
	ST400-484	4	3.810 – 4.030
	ST400-485	4	3.965 – 4.185
	ST400-486	4	4.120 – 4.340