

LER-HZ Series

LED Exit Sign, Hazardous Locations: Class I Div 2, Class II Div 1&2 and Class III



FEATURES

- Certified Class I Zone 2, Groups IIA, IIB and IIC
 - Certified Class I Div 2, Groups A, B, C and D as per CSA C22.2 No.137-M1981
 - Includes the addition of Class II Div 1&2 Groups E, F and G as well as Class III ratings
 - Temperature Code: T6 (maximum 85°C as per Canadian Electrical Code, Part I and CSA C22.2 No.137-M1981)
 - Suitable for cold-weather: -20°C (-4°F) (Self-Powered model, "CW" option) and -40°C (-40°F) (AC-only and AC-DC models)
 - Input voltages: 120 to 347VAC universal AC-input; 6 to 48VDC universal DC-input
 - High impact thermoplastic frame, with built-in gasket to prevent water infiltration
 - Suited for areas with the risk of presence of flammable gases, vapors or liquids able to create an explosive atmosphere
 - Sealed, polycarbonate faceplate of heavy-duty, vandal-resistant
 - Tamper-resistant, hermetically sealed magnetic test switch
 - Self-test/self-diagnostic circuitry is standard on Self-Powered models
 - Batteries recharge as per CSA requirements and provide 90 minutes of emergency operation
 - Come standard with industrial-grade, Die-Cast aluminum electrical box
 - Long-life, **ALINGAP** technology energy-efficient LED light source is warrantied for 10 years
 - Energy efficient – consumes less than 3W in AC or DC mode
 - Meets or exceeds CSA 22.2 No. 141-15
- See warranty details at: www.tnb.ca/en/brands/lumacell

TYPICAL SPECIFICATIONS

Supply and install **Lumacell® LER-HZ Series** LED Exit Signs. The equipment shall operate with universal two-wire AC input voltage from 120VAC to 347VAC at less than 3W and universal two-wire DC input voltage from 6VDC to 48VDC at less than 2W for single and double face signs. Designed specifically for hostile environments, the equipment frame shall be of industrial grade high impact thermoplastic with a gasket around lenses and canopy. The faceplate(s) shall be constructed of heavy-duty vandal-resistant polycarbonate and feature an even illuminated legend. The light source shall be light emitting diodes (LED). Red LED technology shall be **ALINGAP**. An LED-sensitive diffuser shall be mounted behind the legend to provide the 6" high by 3/4" stroke letters with even illumination.

The equipment shall be certified for Hazardous Locations: Class I Division 2 Groups A, B, C and D with a temperature code T6 Maximum 85°C (185°F). The equipment shall be designed specifically for high abuse areas, wet location, and cold weather -20°C (-4°F) applications.

The Self-Powered model shall stay illuminated during emergency operation for at least 90 minutes upon AC failure and shall include a magnetic test switch and self-testing/self-diagnostic functions.

The equipment shall automatically self test for 5 minutes every 30 days, 30 minutes every 60 days and 90 minutes annually. A "Service required" lamp shall be located near the test switch and flash when a fault is detected. A two-LED diagnostic display shall be located inside the equipment and shall identify the eventual source of failure (battery, charger circuitry, or LED lamps).

The Exit Sign shall be CSA 22.2 No. 141-15 certified.

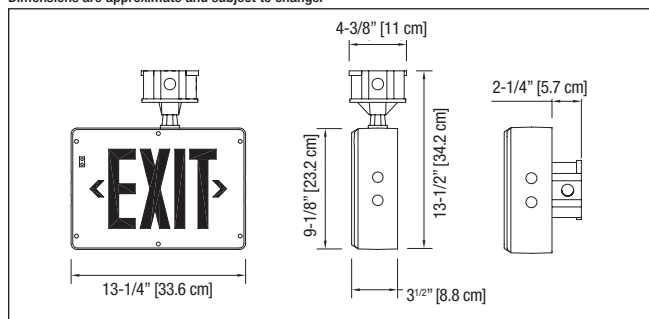
The equipment shall be **Lumacell®** Model: _____.

WIRE GUARDS

460.0080-L	Wall Mount
------------	------------

DIMENSIONS

Dimensions are approximate and subject to change.



ORDERING INFORMATION

SERIES	FACES/MOUNTING	COLOUR	VOLTAGE	OPTIONS
LERHZ= exit sign	500= single face, ceiling or wall mount 600= double face, ceiling mount only	SG= silver grey	120VACDC2= 120VAC, 120VDC, 2 wires Blank= universal 120-347VAC, 6-48VDC NEXRF= wireless NEXUS® system interface¹ SPD= Self-Powered, auto-test, non-audible Ni-Cd,	Blank= red legend CW= cold weather -20°C, Self-Powered only GN= green legend

¹Not all options are available with NEXUS® system. Please consult your sales representative

EXAMPLE: LERHZ500SG

POWER CONSUMPTION AND UNIT RATING

MODEL	AC SPECS	DC SPECS
AC/DC red	120 to 347VAC Less than 3W	6 to 48VDC Less than 2W
AC/DC green	120 to 347VAC Less than 3W	6 to 48VDC Less than 2W
Self-Powered red	120 to 347VAC Less than 3W	Ni-Cd battery Min. 90 minutes
Self-Powered green	120 to 347VAC Less than 3W	Ni-Cd battery Min. 90 minutes
120VAC/VDC 2 wires, red	120VAC Less than 3W	120VDC Less than 3W

Note: double face models have double the power consumption above.

IN THE SAME FAMILY: CLASS 1, DIV. 2

- 3LER-HZ Series Exit Sign
- RG-HZ Series Battery Unit
- MQM-HZ Series Remote Fixtures