

New product

ERAUR Series

Remote recessed architectural fixture



Features

- Recessed installation in T-bar suspended ceiling and easily spring mounted in Gyproc ceiling
- All-metal backbox enclosure
- Housing rated for plenum or insulated ceilings (IC)
- Thermoplastic rectangular fixture with additional round trim-plate, white finish
- Black thermoplastic decorative trim-plates
- Two-wire universal input
- Fixed optics, optimized light distribution for ceiling heights up to 12 ft
- Fixed, square distribution pattern
- Four high-intensity LED sources with redundant connections; CCT 5000K
- NSF certified for splash/non-food zone applications
- Certified cUL to CSA 22.2 No.141-15
- **Warranty details at: www.emergi-lite.ca**

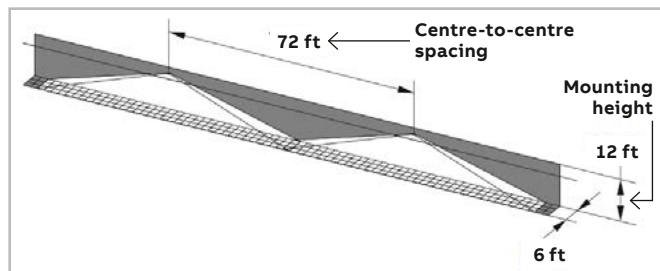


Photometry performance

The ERA Series has a fixed lighting distribution, optimized by design for ceiling heights up to 12 ft. Along an office corridor the space coverage ranges from 68 to 80 feet. The square distribution pattern option covers a surface of more than 700 square feet.

Table A: Standard unit 6-ft wide corridor¹

Mounting height	Spacing centre-to-centre
9 ft	68 ft
10 ft	80 ft
12 ft	72 ft



Suggested specifications

Supply and install the ERAUR Series of recessed emergency lighting unit from Emergi-Lite®. The unit construction shall include an all-metal housing and a thermoplastic rectangular trim-plate with a detachable circular trim ring for choice of aesthetics. The optics shall be an impact-resistant polycarbonate lens with fixed light distribution, optimized for ceiling heights up to 12 ft. The housing shall include an isolated compartment for electrical connections and a detachable cover with knockouts for electrical supplies. The unit shall include a hardware kit for installation in T-bar suspended ceilings.

The emergency lights shall be four high-intensity LED with operational life of minimum 36,000 hours, until 70% of the initial light level (reported L70). The LEDs shall have redundant interconnections: eventual failure of one of them shall allow others to function.

The unit shall be cUL certified to CSA 22.2 No.141-15

The unit shall be Emergi-Lite® model: _____.

Power consumption and unit rating

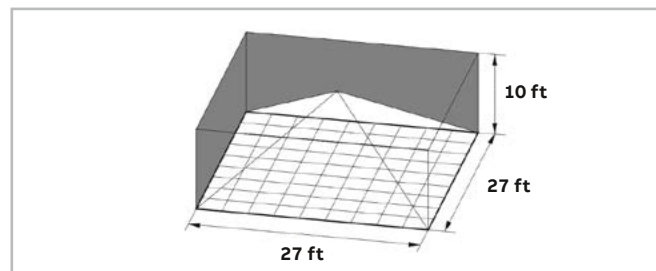
Input (VAC)	Input current (A)	Input power (W)	Power factor
AC2			
120	0.060		
240	0.030	7.0	0.95
277	0.025		

Input voltage (VDC)	Input power (W)
DC	
6-24	6.5

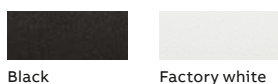
Table B: Option "square distribution pattern" – single unit coverage¹

Mounting height	Room size	Room surface
10 ft	27 ft x 27 ft	729 square feet

¹Typical reflectance levels of walls/ceiling/floor: 80/50/20



Housing colour

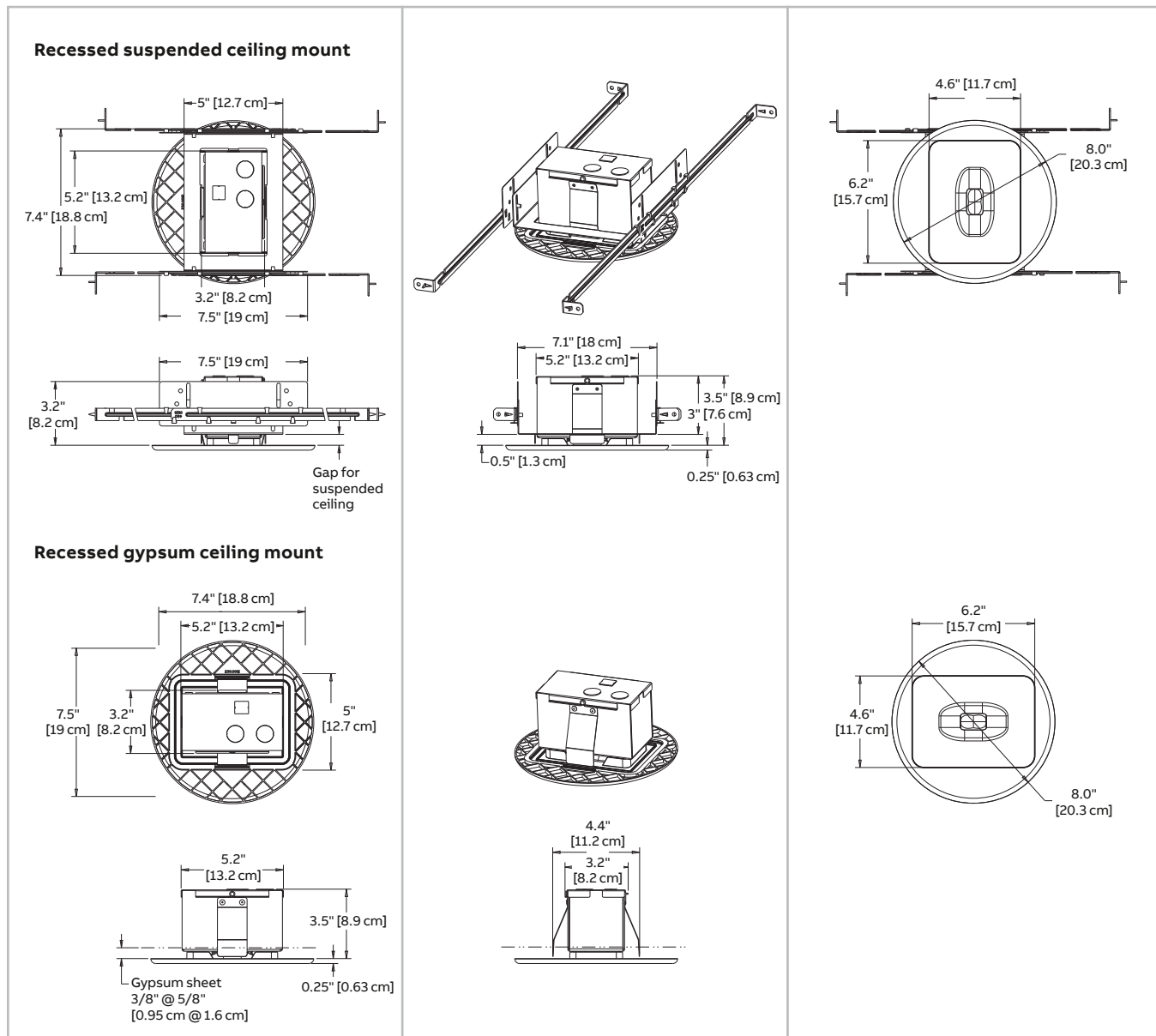


ERAUR Series

Remote recessed architectural fixture

Dimensions

Dimensions are approximate and subject to change.



REMOTE FIXTURES

Ordering information

Series	Colour	Voltage	Options
ERAUR= remote recessed architectural fixture	BK= black WH= factory white	AC2= 120 to 277VAC 50/60Hz DC= 6 to 24VDC	Blank= no options P= plenum/type IC rated SQ= square distribution pattern

Example: ERAURWHDC