

JMC Series

Steel, compact, 6V and 12V



Features

- Compact steel cabinet with corrosion-resistant undercoating
- Quick and easy installation – pre-assembled cordset, no batteries or board to remove before installation
- Universal Spider knockout pattern for junction box mounting
- Fully automatic solid-state charger with test switch and AC-on pilot light
- Sealed dust-proof transfer relay circuit and low-voltage disconnect
- Long-life, maintenance-free sealed
- Heads require no tools for orientation
- Standard input 120 VAC with line cord installed
- 120/347 VAC without line cord
- Certified CSA C22.2 No.141-15
- **Warranty details at: www.emergi-lite.ca**

Nexus®Pro   

Typical specifications

The contractor shall install the **Emergi-Lite® JMC Series** battery units. The emergency lighting system shall consist of fully automatic equipment with two emergency lighting heads. The unit shall be rated _____ V with a capacity of _____ W for 30 minutes of emergency operation. The charger shall be factory set with a charging voltage tolerance of $\pm 1\%$ to enable a longer battery life. The emergency light heads shall require no tools for adjusting or aiming. The metal cabinet shall be made of steel with anti-corrosion undercoating.

The unit equipped with the auto-test micro-controller board shall selftest 1 minute every 30 days, 10 minutes every 6 months and 30 minutes every 12 months. The unit shall be supplied with a test switch and diagnostic LED indicator lights to continuously monitor the status of the unit: Battery Failure, Battery Disconnect, Charger Failure, Lamp Failure, Service Alarm, main voltage AC "ON", Charger High Rate.

The unit shall be CSA C22.2 no.141-15 certified.

The unit shall be **Emergi-Lite®** model: _____

Wire guards

Ordering code	Description
460.0080-E	Wall mount

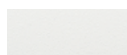
Replacement lamps

Ordering code	Type	Voltage/wattage
580.0097-E	MR16, LED	6V-4W
580.0122-E	MR16, LED	6V-5W
580.0093-E	MR16, LED	12V-4W
580.0104-E	MR16, LED	12V-5W
580.0106-E	MR16, LED	12V-6W

Housing colour



Black



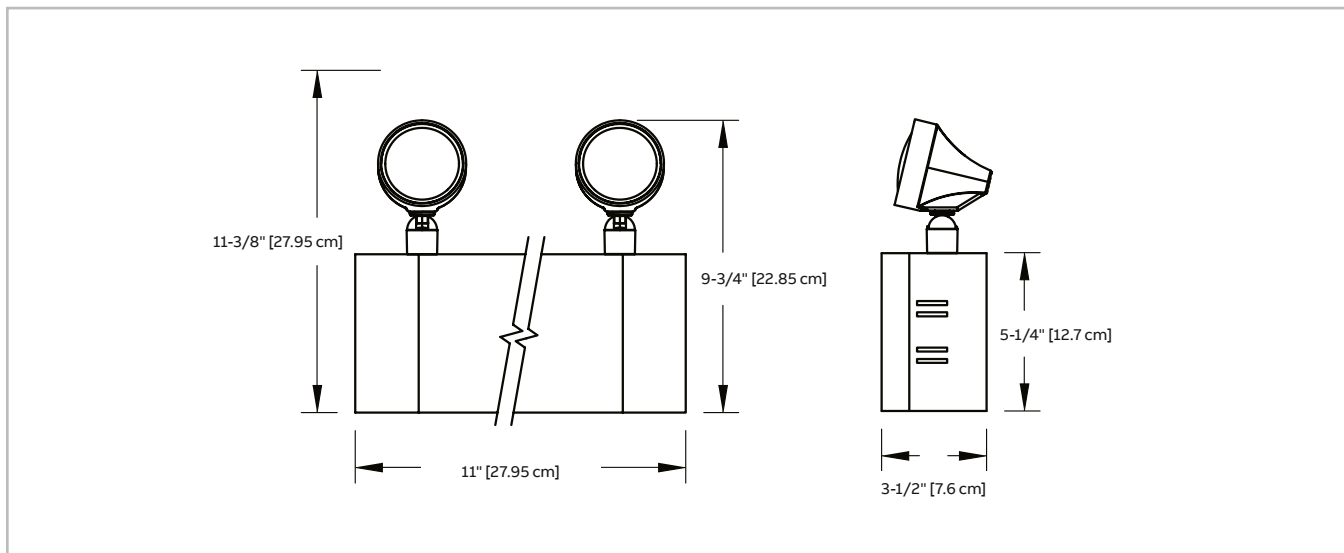
Factory white

JMC Series

Steel, compact, 6V and 12V

Dimensions

Dimensions are approximate and subject to change.



Power consumption and unit rating

Model	AC specs	Wattage capacity				
		30 min	1H00	1H30	2H00	4H00
06JMC27	0.06/0.02 A	27	15	11	9	-
06JMC44	120/347VAC 0.18/0.06 A	44	26	18	15	7
12JMC44	0.31/0.10 A	44	26	18	15	7

Ordering information

Series	Capacity	Colour	Voltage	Charge type	Options	# of heads	Head style/wattage
06JMC= 6V	27= 27W 44= 44W	BK= black Blank= factory white	-2= 277VAC input -3= 120/347VAC input Blank= 120VAC c/w linecord	NEXP= NEXUS®Pro IoT	Blank= no options CT= cabtire ¹ LW= cabtire plus twist lock plug ¹	/0= no heads /1= one head /2= two heads	LA= MR16 LED, 6V-4W LB= MR16 LED, 6V-5W LG= MR16 LED, 12V-4W LI= MR16 LED, 12V-5W LJ= MR16 LED, 12V-6W
12JMC= 12V	44= 44W						

Example: 06JMC44NEXP

¹120V is standard

Note: Minimum lamp load required: 20% of unit capacity