

CMPC-E Series

Thermoplastic pictogram combo unit



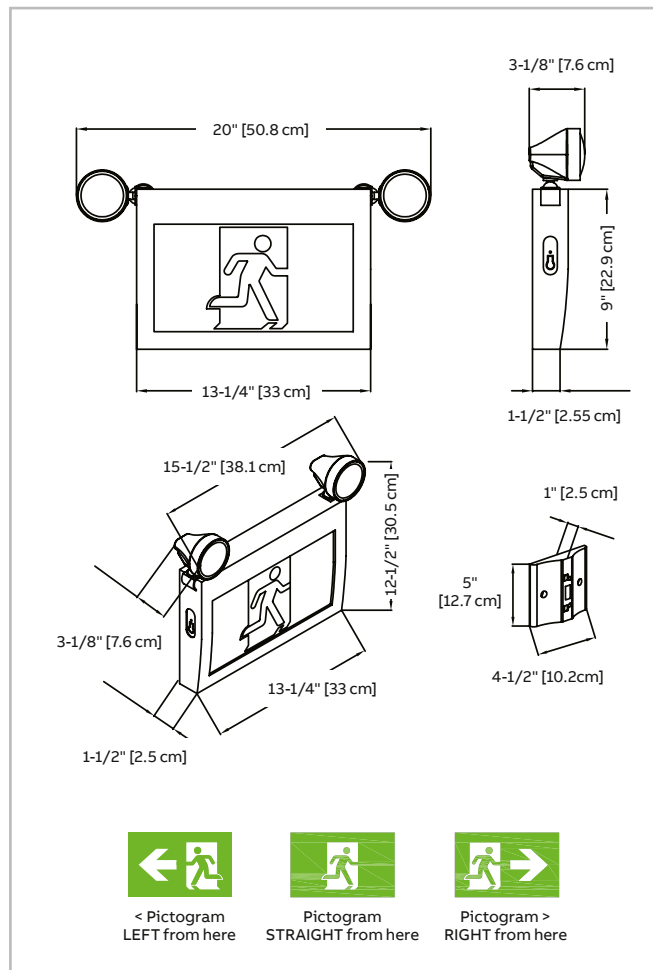
Features

- Energy efficient, long-life white LEDs consuming 2.5W at normal operation
- 120/277/347VAC Input
- Universal single and double face
- Automatic, temperature compensated, pulse type charger
- Low voltage disconnect prevents over discharge of battery
- Automatic brownout protection
- Battery lock-out prevents discharge during installation
- Comes standard with three pictogram legends for direction selection
- Red LED charger monitor
- Injection-molded off-white thermoplastic ABS housing
- Fast and easy installation with snap-together design
- Ceiling, wall or end mount installation
- CSA C22.2 no.141-10 listed
- 3.6V nickel-cadmium battery provides minimum 120 minutes of emergency lighting
- Fully adjustable LED glare-free lens
- 3.6V-2W long life LED light source
- Adjustable light heads for forward or backward lighting
- **Warranty details at: www.emergi-lite.ca/**



Dimensions

Dimensions are approximate and subject to change.



Power consumption and unit rating

Series	AC specs			
	Wattage	Current	Efficiency	
CM-PC	120V, 50/60 Hz	2.5W	0.24A	0.98PF
	277V, 50/60 Hz	3W	0.014A	0.93PF
	347V, 50/60 Hz	3.5W	0.017A	0.92PF

Ordering information

Series	Voltage
CM-PC-E	Blank= 120/277/347VAC

Example: CM-PC-E