

Pictogram Combination Unit for Hazardous Locations

Class I Div 2 / Class II Group E,F,G / Class III



IMPORTANT SAFEGUARDS

When using electrical equipment, basic safety precautions should always be followed including the following:

READ AND FOLLOW ALL SAFETY INSTRUCTIONS

1. Servicing of this equipment should be performed by qualified service personnel.
2. Make sure the area is clear of all HAZARDS before installing or servicing the unit.
3. Turn off electrical power before and during installation and maintenance.
4. Before conducting maintenance, turn off the unit and wait for it to cool.
5. Do not install where the marked operating temperatures (T-Code) exceed the ignition temperature of the hazardous atmosphere.
6. Do not operate in ambient temperatures above those indicated on the rating labels.
7. Keep tightly closed when in operation.
8. Do not use outdoors.
9. Do not let the power cords touch hot surfaces.
10. Do not mount near gas or electric heaters.
11. Use caution when handling batteries. Battery acid can cause burns to the skin and eyes. If acid is spilled on the skin or eyes, flush acid with fresh water and contact a physician immediately. Avoid possible shorting.
12. Equipment should be mounted in locations and at heights where it will not readily be subjected to tampering by unauthorized personnel.
13. The use of accessory equipment not recommended by the manufacturer may cause an unsafe condition.
14. Do not use this equipment for other than intended use.
15. Unit to be installed only as per configuration described in this instruction manual.

SAVE THESE INSTRUCTIONS

Installation Instructions

1. **Turn off AC power.**
 - a. Remove the lens-cover (3). Disconnect the lamps from terminal block (see figure 4) and remove the electronic module (7). Four screws secure the electronic module to the housing (8).
 - b. Determine which holes in the housing will be used for AC wires. Support frame by two blocks of wood, maximum one inch apart. Strike knockouts with a hammer and screwdriver. Clear holes of burrs to allow proper installation of the fitting. Thread conduit fitting rated for Class I Div 2 / Class II Group E,F,G / Class III, on the housing. For **Nexus** wired option, install the liquidtight™ fitting provided with the unit to route the data cable.

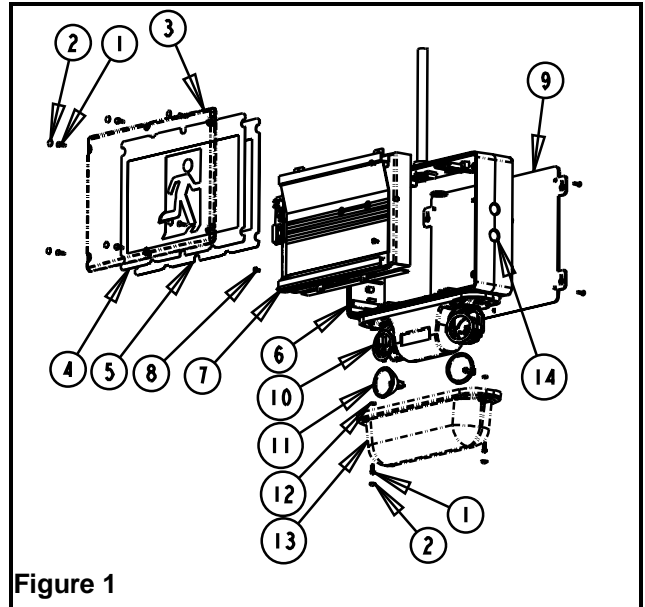


Figure 1

Parts List

- | | |
|---------------------------------|------------------------------|
| 1. Tamper-proof screw | 9. Back plate |
| 2. Screw covers | 10. Swivel |
| 3. Lens-cover | 11. Lamps |
| 4. Pictogram panels | 12. O-ring |
| 5. Diffuser panel | 13. Lens for emergency light |
| 6. Frame | 14. Knock-out covers |
| 7. Electronic module | 15. Junction box |
| 8. Electronic module screws (4) | 16. Gasket |

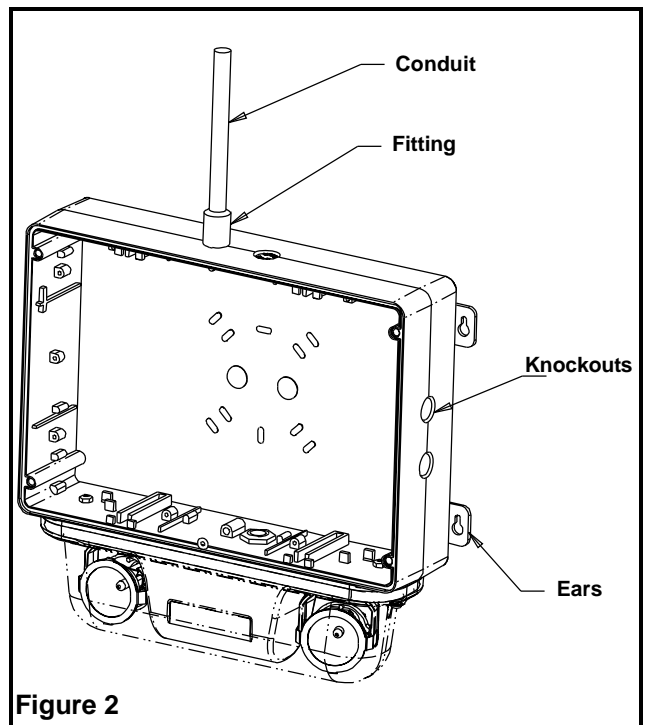


Figure 2

Conduit Entry

- Attach the unit to the wall through the ears located on each side of the unit. (See figure 2). (4 screws not provided)
- Route AC circuit wires into the housing through conduit.
- Reinstall the electronic module inside the housing using the 4 electronic module screws.

Junction Box Entry

- Remove appropriate knock-outs on back plate for installation on junction box (see figure 3).
- Route AC circuit wires into the housing through large hole in back plate.
- Install the unit onto the gasket and junction box (Rated for Class I Div 2 / Class II Group E,F,G / Class III) with the junction box screws (not provided).
- Reinstall the electronic module inside the housing using the 4 electronic module screws.

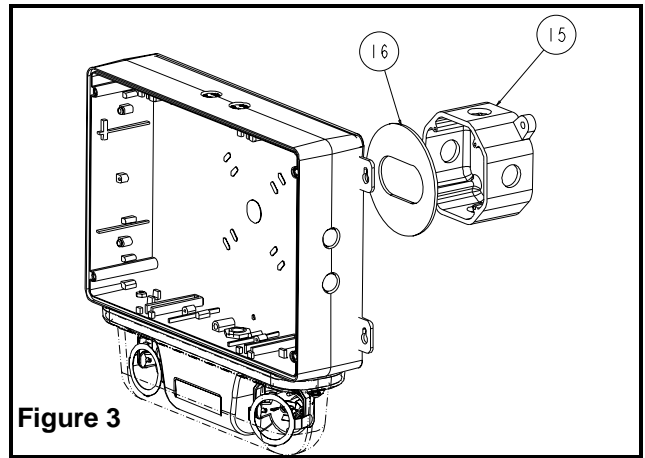


Figure 3

2. ELECTRICAL CONNECTIONS

Auto-diagnostic models (see to figure 4):

- Connect transformer primary wires to AC wires from building: white wire with neutral; black (120Vac) or to line voltage. Unused primary wire must be insulated to prevent shorting. Connect green wire to the ground.
- Reconnect the lamps on the terminal blocks (L1+/L1-).
- For units with remote capacity, connect the remote heads DC+ to L1+ and DC- to L1-.
- Connect the battery to the charger board.

Nexus models:

For Nexus models, refer to "Nexus addendum" and for any additional information, go to www.Nexus-System.com.

3. Lamp adjustment:

- Access the lamps by removing the lens. Remove the lamp protectors. Adjust lamps to desire position. Replace the lens.
- Select the desired picto panel and install it with the opal diffuser behind. The picto panel without arrow shall be installed facing right (see Figure 5).
- Replace the lens-cover making sure the unit is tightly sealed.

Note: The tamper-proof screws should be equally torqued to approximately 10 - 15 inlbs (1.1 - 1.7 Nm).

- Energize AC.

Manual Testing

Operate the magnetic "test switch" by holding the provided magnet where indicated near the LED display (see figure 6). This will initiate a one minute test. The DC lamps will illuminate for approximately one minute, then the unit will automatically return to standby mode. Test can be cancelled by holding the magnet near the test switch again.

Automatic Testing

The unit will perform an automatic self-test of 1 minute every month, 10 minutes every 6 months and a 30 minutes self-test once a year.

Automatic Diagnostics

There are five diagnostic indicators: one external and four internal. Unit must be opened to gain access to internal indicators.

External: Service alarm, "Service Required". The LED will turn-on if any alarm condition is detected (see fig. 6).

Internal: Battery Failure, Battery Disconnect, Charger Failure & Lamp Failure. Steady ON if alarm condition exists.

Normal operation, No fault"Service Required" is OFF.

Faulty operation"Service Required" is ON.

(see AD charger owner manual for more details)

Nexus models

Nexus models use a bicolor LED (Service) which identifies and displays the Nexus status. See Nexus addendum for details.

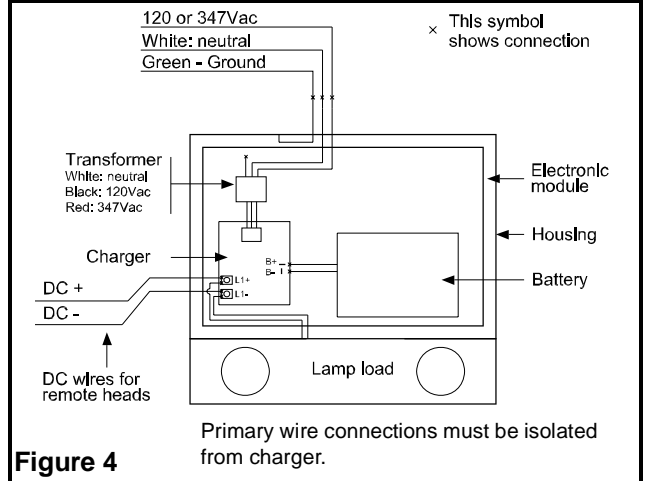


Figure 4

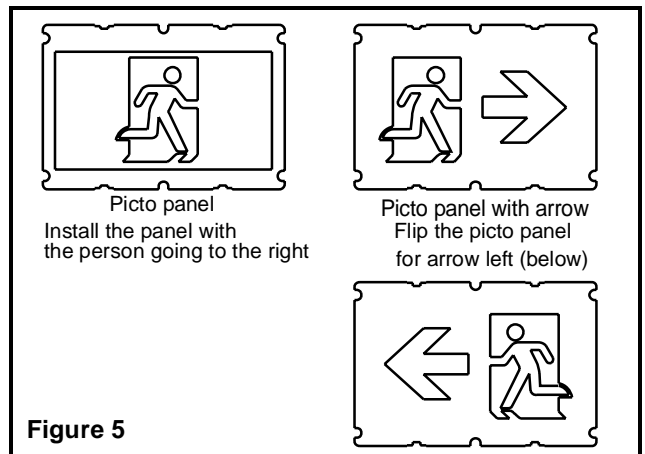


Figure 5

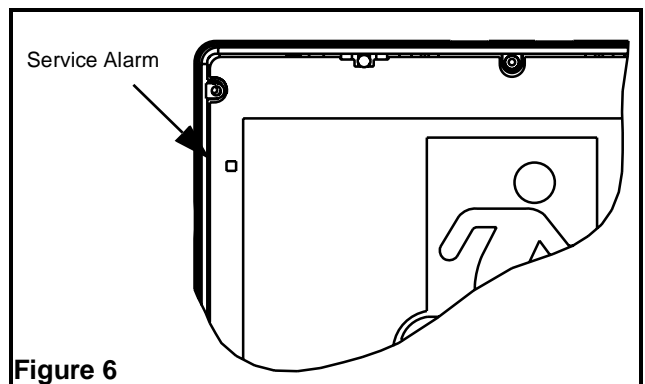


Figure 6