

## Literay Series

Wall mounted remote head



### Features

- Outdoor/Indoor installation
- Compact wall sconce unit for indoor and outdoor use
- High impact resistant polycarbonate diffuser
- Adjustable lamps
- Die-cast aluminum housing
- Vandal resistant option
- CSA certified to C22.2 No. 141
- **Warranty details at: [www.emergi-lite.ca](http://www.emergi-lite.ca)**



### Typical specifications

Wall mount unit shall be gasketed die-cast aluminum housing, impact resistant polycarbonate diffuser. The lamps shall be adjustable for aisle or area distribution.

Fixture shall be supplied with gasket and shall be suitable for installation on any four inch octagonal box.

The remote unit shall be **Emergi-Lite®** model: \_\_\_\_\_.

### Wire guards

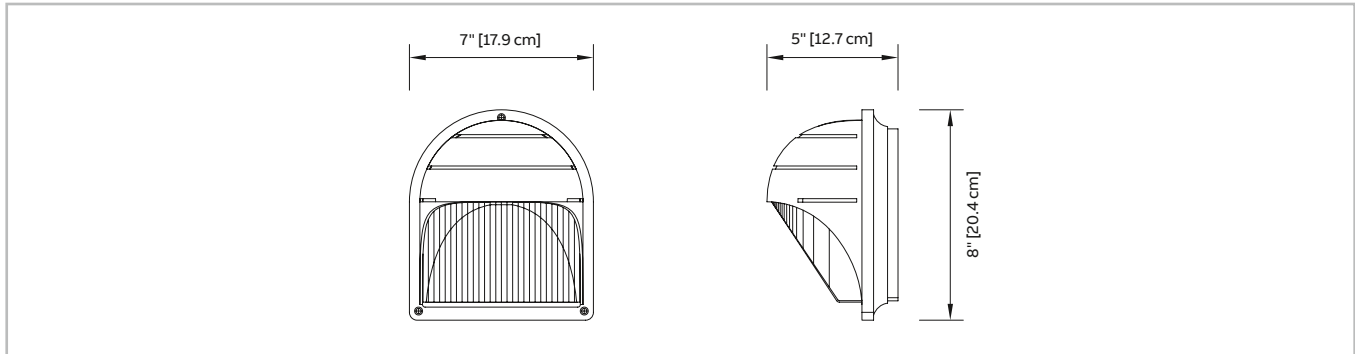
Ordering code	Description
460.0082-E	Wall mount

### Replacement lamps

Ordering code	Lamp type	Voltage/wattage
580.0097-E	MR16 LED	6V-4W
580.0122-E	MR16 LED	6V-5W
580.0093-E	MR16 LED	12V-4W
580.0098-E	MR16 LED	24V-4W
580.0100-E	MR16 LED	24V-6W
580.0104-E	MR16 LED	12V-5W
580.0106-E	MR16 LED	12V-6W
580.0095-E	MR16 LED	120V-4W

### Dimensions

Dimensions are approximate and subject to change.



### Ordering information

Series	Lamp type	Colour	Voltage/wattage	Options
EF33= exterior remote	M= MR16	Blank= factory white -B= black -G= dark grey	Blank= no lamps -LA= 2X MR16 LED, 6V-4W -LB= MR16 LED, 6V-5W -LG= 2X MR16 LED, 12V-4W -LI= 2X MR16 LED, 12V-5W -LJ= 2X MR16 LED, 12V-6W -LL= 2X MR16 LED, 24V-4W -LM= 2X MR16 LED, 24V-6W -LW= 2X MR16 LED, 120V-4W	-C= clear lens -VR= vandal resistant screws

Example: EF33M-LJ

990.0119-E= tamper-proof bit  
(sold separately)