

## EF40 & EF40P Series

### Remote fixture

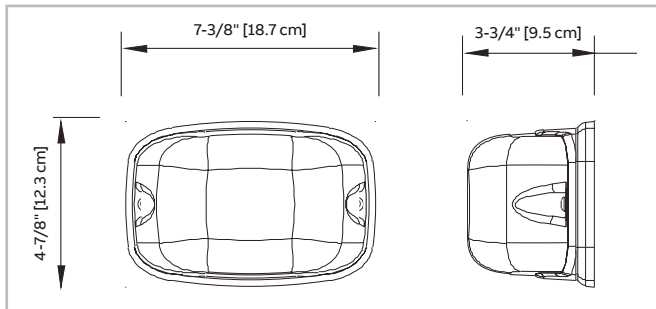


#### Features

- Quality illumination requires fewer fixtures
- Clear polycarbonate UV and impact resistant lens with optional tamper-proof screws to prevent tampering.
- Easy lamp replacement
- Modern design will blend into surroundings
- Selection of die-cast or polycarbonate back plate
- For indoor use only
- CSA certified to C22.2 No. 141-15
- **Warranty details at: [www.emergi-lite.ca](http://www.emergi-lite.ca)**

#### Dimensions

Dimensions are approximate and subject to change.



#### Ordering information

EF40P Series	Number of lamps	Lamp type	Colour	Lamp type/voltage/wattage	Options
EF40P= polycarbonate	Blank= one lamp D= two lamps	M= MR16	B= black Blank= factory white G= grey	LA= MR16 LED, 6V-4W LB= MR16 LED, 6V-5W LG= MR16 LED, 12V-4W LI= MR16 LED, 12V-5W LJ= MR16 LED, 12V-6W LL= MR16 LED, 24V-4W	Blank= no option T= tamper-proof screws <sup>1</sup>
<b>Example: EF40PDMBLI</b>					<sup>1</sup> 690.0454-E= tamper-proof bit (sold separately)
Other colours available					
EF40 Series	Number of lamps	Lamp type	Colour	Lamp type/voltage/wattage	Options
EF40= die-cast	Blank= one lamp D= two lamps	M= MR16	B= black Blank= factory white G= grey	LA= MR16 LED, 6V-4W LB= MR16 LED, 6V-5W LG= MR16 LED, 12V-4W LI= MR16 LED, 12V-5W LJ= MR16 LED, 12V-6W LL= MR16 LED, 24V-4W LM= MR16 LED, 24V-6W LW= MR16 LED, 120V-4W	Blank= no option T= tamper-proof screws <sup>1</sup>
<b>Example: EF40DMLI</b>					<sup>1</sup> 690.0454-E= tamper-proof bit (sold separately)
Other colours available					

#### Typical specifications

Supply and install **Emergi-Lite® EF40P Series** remote emergency lighting. These remote fixtures will consist of either single or double lamp configurations as specified and include a UV resistant fire retardant polycarbonate back plate and a clear heavy-duty UV resistant polycarbonate light cover. The remote fixture shall be certified to CSA C22.2 No. 141.

The head(s) shall be fully adjustable and be equipped with high efficiency LED lamp(s) of \_\_\_\_\_ V, \_\_\_\_\_ W.

The remote unit shall be **Emergi-Lite®** model: \_\_\_\_\_ .

#### Wire guards

Ordering code	Description
460.0029-E	Wall mount

#### Replacement lamps

Ordering code	Lamp type	Voltage/wattage
580.0097-E	MR16 LED	6V-4W
580.0122-E	MR16 LED	6V-5W
580.0093-E	MR16 LED	12V-4W
580.0098-E	MR16 LED	24V-4W
580.0100-E	MR16 LED	24V-6W
580.0104-E	MR16 LED	12V-5W
580.0106-E	MR16 LED	12V-6W
580.0113-E	MR16 LED	120V-4W

#### Housing colour

