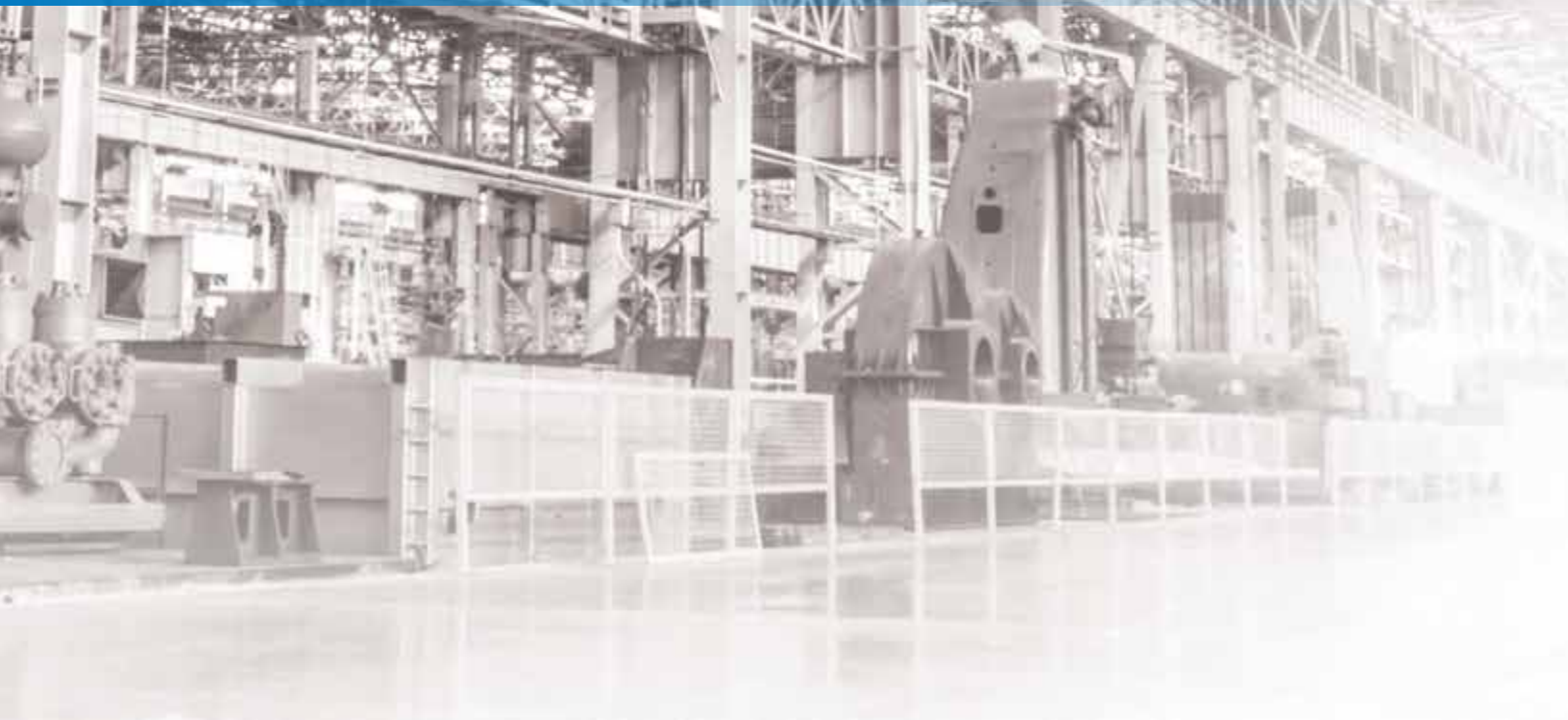


# Survive-All™ Series

NEMA-4X Certified  
for Harsh Environment Applications



# Survive-All™ Series NEMA-4X Family

The industry standard for emergency lighting in harsh environments is here. Battery units, remote fixtures, exit signage and combination units - Emergi-Lite® is proud to offer a complete family of NEMA-4X Certified emergency lighting products that delivers impressive, state-of-the-art illumination in a visually-appealing package.

A complete emergency lighting solution, these products are designed for use in a wide range of commercial and industrial environments where humidity, dust, water infiltration, and the risk of vandalism are specification criteria.

## FEATURES

- Battery units and remotes fixtures deliver unsurpassed pathway illumination — 89 feet, center-to-center (see photometric data on back cover)
- Fully gasketed enclosures prevent water infiltration
- Vandal-resistant enclosures - resist dents, peeling and corrosion
- All units come with tamper-proof screws and bits
- UV resistant enclosures
- Choice of colours - factory white, black and grey
- Continuous self-diagnostic monitoring and monthly self-testing
- Fully automatic, solid state charger
- Non-intrusive magnetic test switch
- Nexus® compatible

## CERTIFICATIONS

- CSA Certified for 30 minutes of emergency operation
- Exit signs meet or exceed C22.2 No. 141
- NEMA-4X Certified for high abuse areas, wet locations and cold weather (-40°C) applications
- NSF Certified for use in food processing plants

## APPLICATIONS

- Hosedown areas/ car washes
- Food processing/ preparation facilities
- Marine locations
- Chemical plants
- Schools and other public facilities
- Parking garages
- Transit platforms
- Sports arenas/ swimming pools
- Security areas/ prisons
- Warehouse and cold storage facilities
- Heavy industrial facilities



# Emergency lighting products for harsh environment applications



## EN Series

### NEMA-4X & NSF Certified Pictogram Sign

- Sealed heavy-duty, vandal-resistant polycarbonate faceplate
- Suitable for cold weather application — -40°C (AC/DC model) and -25°C on self-powered model (CW option)
- Energy efficient - consumes less than 2.5W in AC or DC mode Survive-All™ EN Series
- Same product with exit legend also available



## ENC Series

### NEMA-4X & NSF Certified Combination Unit

- Innovative, field-adjustable lamp head assembly
- Choice of MR16 halogen lamps up to 12V, 12W or high-efficiency, 6W, MR16 LED lamps
- Can be wall or ceiling mounted
- Double face available
- Suitable for cold weather application — -40°C (CW option) - Available in 6V only.
- Same product with exit legend also available

**UNRIVALLED PATHWAY ILLUMINATION  
89 FEET CENTER-TO-CENTER**

*(see photometric data on the last page)*



## Survive-All™ NXM Series

### NEMA-4X Certified Battery Unit

- Fully gasketed cast aluminium back plate with clear UV resistant polycarbonate cover
- Long-life maintenance-free sealed Lead-Acid battery
- Choice of MR16 halogen lamps up to 12V, 20W or high-efficiency, 6W, MR16 LED lamps
- Mounting: wall mount
- Unit capacity: up to 108W
- Suitable for cold weather application — -40°C (CW option)



## Survive-All™ EF39 Series

### NEMA-4X Certified Remote Fixtures

- Choice of single or double head models
- Fully gasketed cast aluminium or polycarbonate back plate with clear UV resistant poly carbonate cover
- Choice of MR16 halogen lamps up to 24V, 20W or high-efficiency, 6W, MR16 LED lamps



# Survive-All™ EN Series

NEMA-4X & NSF Certified  
Pictogram Sign

Project/Location: \_\_\_\_\_

Contractor: \_\_\_\_\_

Date: \_\_\_\_\_

Prepared by: \_\_\_\_\_

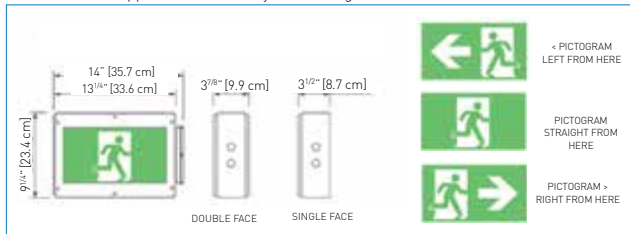
## FEATURES

- NEMA-4X Certified
- NSF compliant for food processing
- Polymeric enclosure is fully gasketed around lens and canopy to secure against water leaks
- Sealed, heavy-duty, vandal-resistant polycarbonate face plate
- Suitable for cold weather: -40°C for AC/DC and -20°C for Self-Powered models (option: -CW)
- Tamper-resistant, concealed test switch with magnetic action
- White LED light source
- Supplied standard with two pictogram films per face, for direction selection
- Meets or exceeds CSA 22.2 No.141-10 standard for pictogram Exit Signs
- Universal AC input: two-wire 120 to 347VAC; Standard DC input: two-wire 6 to 24VDC
- Energy efficient – consumes less than 2.5W in AC or DC-remote mode
- Self-Powered models deliver two hours of back-up lighting



## DIMENSIONS

Dimensions are approximate and subject to change.



## SURVIVE-ALL™ NEMA 4X & NSF CERTIFIED FAMILY



## TYPICAL SPECIFICATIONS

Supply and install the **Emergi-Lite® Survive-All™ EN Series** pictogram Exit Signs. The equipment shall be certified for NEMA- 4X and designed specifically for high abuse areas, wet locations, and cold weather applications. The equipment frame shall be of industrial grade polyvinyl chloride with a gasket around lenses and canopy. The faceplate(s) shall be constructed of heavy-duty vandal-resistant polycarbonate and feature an even illuminated legend. Each face plate shall come standard with two legend films for pictogram and direction selection. The light source shall be white light-emitting diodes (LED). The pictogram Exit Sign shall operate with universal 2-wire AC input voltage of 120 to 347VAC at less than 2.5W and universal 2-wire DC input voltage from 6 to 24VDC at less than 1W for single and double face signs. The Self-Powered model shall include a concealed green pilot light and magnet-sensitive test switch, shall use a sealed Nickel-Cadmium battery of 2.4V nominal voltage and shall stay illuminated during emergency operation for at least two hours upon AC failure. When specified, the Self-Powered model shall include auto-test functions: it shall execute automatic tests for 5 minutes every 30 days, 30 minutes every 60 days and two hours annually. When a fault is detected, the bi-colour pilot light shall turn from green to red and flash following a particular code. The code description shall be visible on a label next to the pilot light to identify the failure type: battery, charger circuitry, or LED lamps.

The pictogram Exit Sign shall be listed CSA 22.2 No.141-10 standard.

The equipment shall be **Emergi-Lite®** Model: \_\_\_\_\_

## POWER CONSUMPTION AND UNIT RATING

MODEL	AC SPECS		DC SPECS	
	AC	DC	DC	DC
AC-only	120 to 347VAC	Less than 2.5W	-	-
AC/DC standard	120 to 347VAC	Less than 2.5W	6 to 24VDC	Less than 1W
AC/Special DC	120 to 347VAC	Less than 2.5W	36, 48, 120VDC	Less than 2.5W
Two-wire 120V AC/DC	120VAC	Less than 2.5W	120VDC	Less than 2.5W
Self-Powered	120 to 347VAC	Less than 3W	Nickel-Cadmium battery	Min. 2 hours
Auto test	120 / 347VAC	Less than 3.5W	Nickel-Cadmium battery	Min. 2 hours

## WIRE GUARDS

460.0079-E	Wall mount
460.0027-E	End mount
460.0028-E	Ceiling mount

## ORDERING INFORMATION

SERIES	FACES/ MOUNTING	COLOUR	VOLTAGE	OPTIONS
<b>EN=</b> NEMA-4X & NSF pictogram exit sign	<b>1=</b> single face universal mounting <b>2=</b> double face universal mounting	<b>B=</b> black <b>W=</b> factory white	<b>I=</b> self-powered, 120 to 347VAC <b>ID=</b> self-powered diagnostic NiCad, 120 to 347VAC <b>ID2=</b> self-powered diagnostic NiCad, 120 to 277VAC <b>U=</b> universal, 120 to 347VAC; 6 to 24VDC <b>U00=</b> 120 to 347VAC only <b>U36=</b> 120 to 347VAC; 36VDC <b>U48=</b> 120 to 347VAC; 48VDC <b>U120=</b> 120 to 347VAC; 120VDC <b>EM120-2W=</b> 2-wires 120VAC/VDC <b>NEX=</b> NEXUS® system interface, 120/347VAC <b>NEX2=</b> NEXUS® system interface, 120/277VAC <b>NEXRF=</b> NEXUS® system interface, 120/347VAC <b>NEXRF2=</b> NEXUS® system interface, 120/277VAC	<b>Blank=</b> no options <b>CW=</b> cold-weather [-20°C for ID, ID2 and NEXUS® only]

EXAMPLE: EN1WICW

Project/Location: \_\_\_\_\_

Contractor: \_\_\_\_\_

Date: \_\_\_\_\_

Prepared by: \_\_\_\_\_

# Survive-All™ ENC Series

NEMA-4X & NSF Certified  
Pictogram Combination Unit



## FEATURES

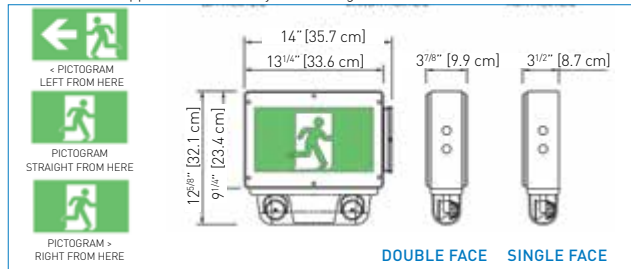
- Certified NEMA-4X for wall or ceiling mount
- NSF certified certified for use in food processing areas
- Meets or exceeds CSA 22.2 No.141-10 standard for pictogram Exit Signs
- Polyvinyl chloride frame, with built-in gasket to prevent water infiltration
- Sealed, vandal-resistant faceplate of polycarbonate
- Legend illuminated by long-life white LED's
- Comes standard with two pictogram films per face, for direction selection
- Two high-performance MR16 LED lamps shielded by a clear polycarbonate cover
- Optional 5W LED emergency lights provide 60' of egress illumination on a 6-foot wide path
- Sealed, maintenance-free Lead-Calcium or Nickel-Cadmium batteries
- Remote load capacity: covers with 4W LED lights 100' up to 230' of egress illumination
- Comes standard with auto-diagnostic
- Cold-weather option: -40°C [-40°F] with only 14W extra power consumption

nexus® NEMA-4X



## DIMENSIONS

Dimensions are approximate and subject to change.



## SURVIVE-ALL™ NEMA 4X & NSF CERTIFIED FAMILY



## TYPICAL SPECIFICATIONS

Supply and install **Emergi-Lite® Survive-All™ ENC Series** combination emergency light battery unit and pictogram Exit Sign. Designed specifically for industrial environments, the equipment frame shall be of industrial grade polyvinyl chloride with gaskets around both sides of frame contour. The back plate shall be made of 1/8" thick aluminum sheet and shall include knock-outs for installation on an electrical box. The faceplate(s) shall be constructed of heavy-duty vandal-resistant clear polycarbonate and feature a uniformly illuminated pictogram legend. Each face plate shall come standard with two legend films for pictogram and direction selection. The light source shall be long-life white light-emitting diodes (LED). The unit shall have attached a lower compartment containing two emergency heads with adjustable swivels and long-life MR-16 LED lamps of \_\_\_ V and \_\_\_ W. The heads shall be installed on a shield housing made of rigid thermoplastic and shall be protected by a shock-absorbent, clear polycarbonate cover. The standard AC input voltage shall be 120/347VAC. The unit shall be equipped with a magnetic test switch and an LED pilot light protected by the clear face plate. The unit shall perform auto-test functions managed by a micro-controller and shall automatically self-test for one minute every 30 days, 10 minutes in the 6th month and 30 minutes annually. When a fault is detected, the bi-colour pilot light shall turn from green to red and flash following a particular code. The code description shall be displayed on a label next to the pilot light to identify the failure type: battery, charger circuitry, LED lights for the signage, or emergency lights. The combination unit shall meet or exceed the standard CSA C22.2 No.141-10. The equipment shall be **Emergi-Lite® Model:** \_\_\_\_\_

## POWER CONSUMPTION

MODEL	AC SPECS	EMERGENCY POWER FOR LAMPS				
		30MIN	1H00	1H30	2H00	4H00
Pictogram Sign Module	120/347VAC	Less than 2.5W	-	-	-	-
ENC-6L36		0.10/0.03 A	36	21	15	12
ENC-6L36-CW		0.25/0.08 A	36	21	15	12
ENC-6N36	120/347VAC	0.10/0.03 A	36	30	20	16
ENC-6N36-CW		0.25/0.08 A	36	30	20	16
ENC-12N60		0.18/0.06 A	60	40	30	20

## WIRE GUARDS WITH HEADS

460.0078-E	Wall Mount
460.0060-E	End or Ceiling Mount

## ORDERING INFORMATION

SERIES	FACES / MOUNTING*	HOUSING COLOUR	BATTERY TYPE AND POWER	HEAD STYLE AND WATTAGE	OPTIONS
ENC= NEMA-4X & NSF pictogram exit combo unit	1= single face 2= double face  *Universal mounting	B= black W= factory white	6N36= 6V-36V Nickel-Cadmium 12N60= 12V-60W Nickel-Cadmium	Blank= no heads LA= MR16 LED, 6V-4W LG= MR16 LED, 12V-4W LI= MR16 LED, 12V-5W LJ= MR16 LED, 12V-6W MI= MR16 halogen, 6V-6W MJ= MR16 halogen, 6V-10W MK= MR16 halogen, 12V-12W	Blank= advanced diagnostic, non-audible (standard) -2= 120/277VAC input D3= time delay (15 minutes) NEX= NEXUS® system interface* NEXRF= wireless NEXUS® system interface* CW= cold-weather -40°C [-40°F] to +25°C (77°F) only with 6V single-face units U= advanced diagnostic *Some options are not available with NEXUS®.

EXAMPLE: ENC2W12N60LD7



# Survive-All™ NXM Series

NEMA-4X Certified

Project/Location:
Contractor:
Date:
Prepared by:

## FEATURES

- Fully gasketed cast aluminum back plate with clear polycarbonate cover – NEMA-4X Certified
- Comes standard with non-audible advanced diagnostic, 10 minutes time delay and lamp disconnect
- Audible warning and time delay functions can be enabled or disabled during installation
- Micro-controller diagnostic system tests, detects and indicates battery, charger circuitry or MR16 lamp failures
- Non-intrusive magnetic test switch
- Long-life, maintenance-free sealed lead-acid battery
- 1/2" rigid conduit entry on top and back
- Can be installed on 4" junction boxes
- Comes standard with tamper-proof screws and bit
- Cold weather option -40°C (-40°F)
- NSF Certified for food processing plants
- CSA C22.2 No. 141 Certified
- NEXUS® compatible
- Standard 120/347VAC input voltage

## TYPICAL SPECIFICATIONS

Supply and install the **Emergi-Lite® NEMA-4X Certified Survive-All™ NXM Series** battery unit. Specifically designed for high abuse areas, wet locations, and cold weather [CW option -40°C (-40°F)], the housing shall consist of a fully gasketed Die-Cast with a cast aluminum back plate and a clear heavy-duty UV resistant polycarbonate cover. The heads shall be fully adjustable without tools and the lamps shall be high efficiency halogen MR16. The standard unit shall be equipped with tamper-proof screws and bits. The **Emergi-Lite® Advanced Diagnostic** Micro-controller charger board shall supply the rated load for a minimum of 30 minutes to 87.5% of the rated battery voltage. The charger incorporates lockout and brownout circuits, and low voltage disconnection. It protects the unit from over-current, short-circuit, and reverse polarity. The unit shall be rated 120/347V, 60Hz. The unit shall have an output of \_\_\_\_\_ V. This unit shall self-test for 1 minute every 30 days, 10 minutes every 6 months and 30 minutes every 12 months. The unit shall be furnished with a non-intrusive magnetic test switch. A "Service Required" lamp shall be located near the test switch and flash when a fault is detected. A four-LED diagnostic display shall be located inside the equipment and shall identify the source of failure (battery, charger, circuitry, or lamps).

The unit shall be **Emergi-Lite®** model: \_\_\_\_\_

## WIRE GUARDS

460.0031-E	Wall Mount
------------	------------

## REPLACEMENT LAMPS

ORDERING CODE	LAMP TYPE	VOLTAGE/ WATTAGE
580.0074-E	MR16 halogen	6V-6W
580.0079-E	MR16 halogen	6V-10W
580.0080-E	MR16 halogen	12V-12W
580.0064-E	MR16 halogen	12V-20W
580.0104-E	MR16 LED	12V-5W
580.0097-E	MR16 LED	6V-4W
580.0106-E	MR16 LED	12V-6W



## SURVIVE-ALL™ NEMA 4X & NSF CERTIFIED FAMILY



Project/Location: \_\_\_\_\_

Contractor: \_\_\_\_\_

Date: \_\_\_\_\_

Prepared by: \_\_\_\_\_

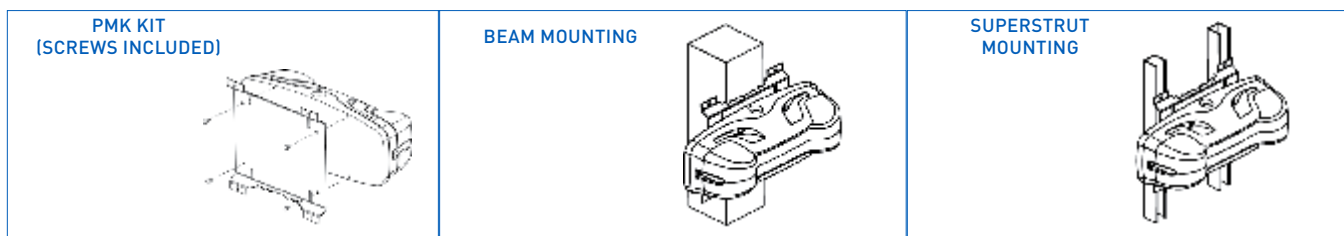
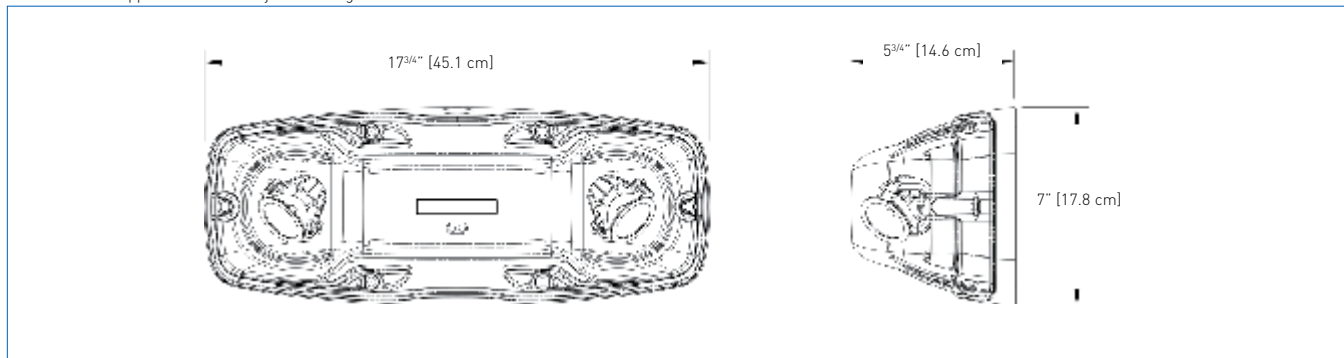
# Survive-All™ NXM Series

NEMA-4X Certified



## DIMENSIONS

Dimensions are approximate and subject to change.



## POWER CONSUMPTION AND UNIT RATING

MODEL	AC SPECS		WATTAGE CAPACITY				
			30MIN	1H00	1H30	2H00	4H00
06NXM36	120/347VAC	0.15/0.06 A	36	21	15	12	6
12NXM72		0.25/0.10 A	72	42	30	24	12
12NXM108		0.25/0.10 A	108	63	45	36	18
Cold Weather 36W		0.45/0.20 A	36	-	-	-	-
Cold Weather 72/108W	120VAC	0.85 A	72/108	-	-	-	-

\*Note: capacity depends on the ambient temperature

## ORDERING INFORMATION

SERIES	COLOUR	CAPACITY	VOLTAGE	OPTIONS	# OF HEADS	LAMP
06NXM= 6V, NEMA-4X 12NXM= 12V, NEMA-4X	W= white B= black G= grey	36= 6V-36W 72= 12V-72W 108= 12V-108W	Blank= 120/347VAC 2= 277VAC	Blank= no options CW1= cold weather 120VAC CW3= cold weather 347VAC* NEX= NEXUS® system interface** NEXRF= wireless NEXUS® system interface** PMK-E= universal bracket (sold separately) 690.0454-E= additional-bit for tamper-proof screws (sold separately)	/2= 2 heads	LA= MR16 LED, 6V-4W* LG= MR16 LED, 12V-4W* LI= MR16 LED, 12V-5W LJ= MR16 LED, 12V-6W MI= MR16, 6V-6W MJ= MR16, 6V-10W MK= MR16, 12V-12W MG= MR16, 12V-20W* MW= MR16-IR, 12V-20W
				*Available in 6V only. **Consult your sales representative for options available with the NEXUS® system.		*Minimum lamp load required: 20% of unit capacity

EXAMPLE: 06NXMW36/2M1



# Survive-All™ EF39 & EF39P Series

NEMA-4X Certified Remote Fixture

Project/Location:	_____
Contractor:	_____
Date:	_____
Prepared by:	_____

## FEATURES

- Fully gasketed with a selection of cast aluminum or polycarbonate back plate
- Clear polycarbonate UV and impact resistant lens
- Choice of single or double lamp models
- Available in 6, 12 and 24V models MR16 or LED
- Easy lamp replacement
- Comes standard with tamper-proof screws and bit
- NSF Certified for food processing plants
- NEMA-4X Certified\*
- CSA Certified to C22.2 No. 141
- Suitable for indoor/outdoor installation

\* For EF39P, units are NEMA-4X Certified when installed using a circular NEMA-4X rated junction box (sold separately by Thomas&Betts under P/N CE365D-CAR or CE365DW-CAR and with plugs P/N P7701W-CAR).



## TYPICAL SPECIFICATIONS

Supply and install **Emergi-Lite® EF39P Series** remote emergency lighting fixtures. These remote fixtures will consist of either single or double lamp configurations according to the design. These fixtures shall be fully gasketed with a UV resistant and fire retardant polycarbonate back plate with a clear heavy-duty UV resistant polycarbonate lens. The unit shall be equipped with two emergency heads with tool-less adjustable swivels (lamps of 12W or less). Units shall be NEMA-4X and NSF certified and specifically designed for high abuse areas, wet and cold weather locations, food processing plants, as well in applications requiring a resistance to corrosive agents. The standard unit will come with stainless steel tamper-proof screws and bit.

The remote fixture shall be certified to CSA C22.2 No. 141. The head(s) shall be fully adjustable without tools and should be equipped with MR16 halogen lamp(s) of \_\_\_\_\_ V \_\_\_\_\_W.

The remote unit shall be the **Emergi-Lite®** model: \_\_\_\_\_ .

## REPLACEMENT LAMPS: MR16 EF39P

ORDERING CODE	LAMP TYPE	VOLTAGE
580.0074-E	MR16 flood	6V-6W
580.0079-E	MR16 flood	6V-10W
580.0080-E	MR16 flood	12V-12W
580.0070-E	MR16 flood	24V-12W
580.0097-E	MR16 LED	6V-4W
580.0093-E	MR16 LED	12V-4W
580.0104-E	MR16 LED	12V-5W
580.0106-E	MR16 LED	12V-6W
580.0098-E	MR16 LED	24V-4W

For the complete list, please see the lamp chart on pages 156 to 158

## EF39

ORDERING CODE	LAMP TYPE	VOLTAGE
580.0068-E	MR16 IR flood	12V-20W
580.0077-E	MR16 flood	24V-20W
580.0100-E	MR16 LED	24V-6W



Project/Location:  
 \_\_\_\_\_  
 Contractor:  
 \_\_\_\_\_  
 Date:  
 \_\_\_\_\_  
 Prepared by:  
 \_\_\_\_\_

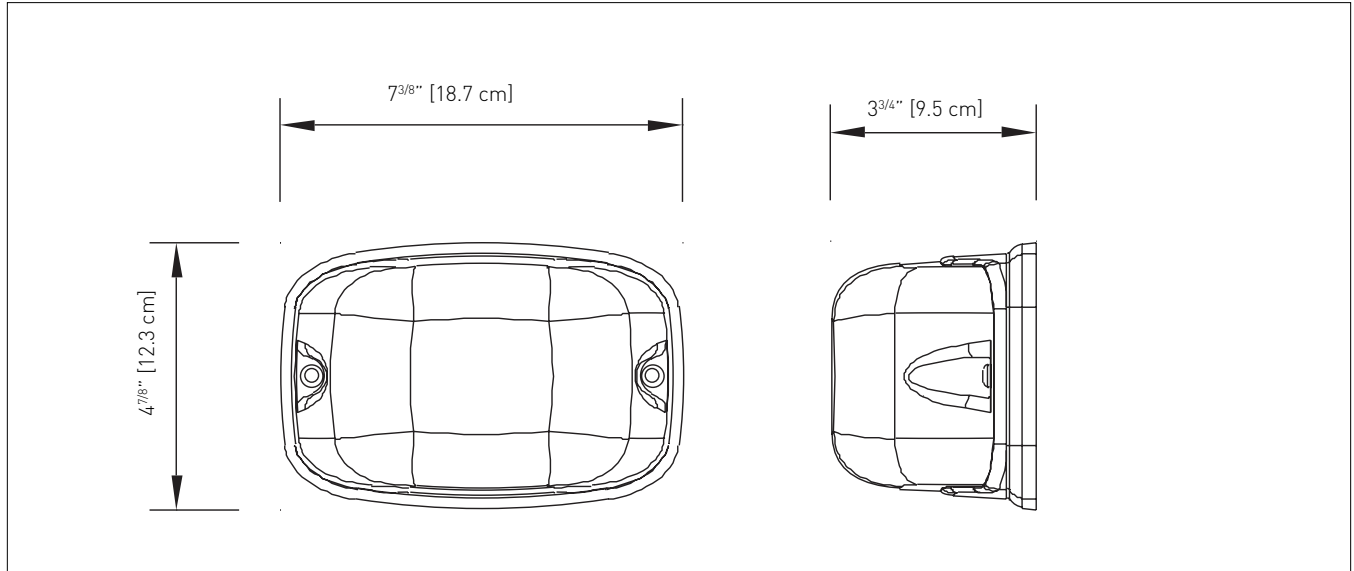
# Survive-All™ EF39 & EF39P Series

NEMA-4X Certified Remote Fixture



## DIMENSIONS

Dimensions are approximate and subject to change.



## ORDERING INFORMATION: EF39P

SERIES	NUMBER OF LAMPS	LAMP TYPE	COLOUR	LAMP TYPE/VOLTAGE/WATTAGE	OPTIONS
EF39P= polycarbonate NEMA4X back plate	Blank= one lamp D= two lamps	M= MR16	Blank= factory white -B= black -G= grey	-LA= MR16 LED, 6V-4W -LG= MR16 LED, 12V-4W -LI= MR16 LED, 12V-5W -LJ= MR16 LED, 12V-6W -LL= MR16 LED, 24V-4W -6V6W= MR16 halogen, 6V-6W -6V10W= MR16 halogen, 6V-10W -12V12W= MR16 halogen, 12V-12W -24V12W= MR16 halogen, 24V -12W	-SM= surface mount*  * surface plastic junction box included

EXAMPLE: EF39PDM-B-6V6W

## ORDERING INFORMATION: EF39

SERIES	NUMBER OF LAMPS	LAMP TYPE	COLOUR	LAMP TYPE/VOLTAGE/WATTAGE
EF39= die-cast NEMA 4X back plate	Blank= one lamp D= two lamps	M= MR16	Blank= factory white -B= Black -G= grey	-12V20W= MR16-IR, 12V-20W, high output -24V20W= MR16 halogen, 24V-20W -LM= MR16 LED, 24V-6W

EXAMPLE: EF39DM-12V20W

# PHOTOMETRICS

The Emergi-Lite® NEMA-4X Series of emergency lighting sets an impressive new standard for center-to-center path of egress illumination. Battery units and fixtures illuminate an egress path 89-feet long and 6-feet-wide.

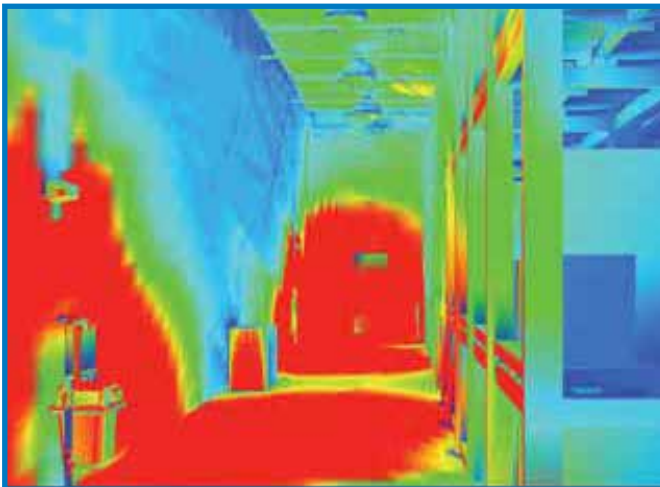
Photometric data based on a 7-foot mounting height, minimum 80-50-20 reflectance values and 12V-6W MR16 LED lamps.



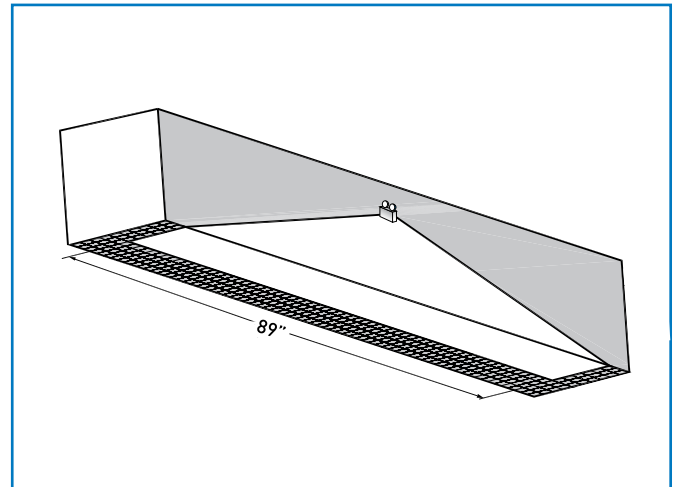
3D image showing installation of two NXM Series battery units and a ENC combination unit in an industrial application under normal lighting conditions.



3D image lighting rendering showing installation of two NXM Series battery units and a ENC combination unit in an industrial application under emergency lighting conditions.



3D light level coloured scale image showing egress illumination pattern generated by two NXM battery units and a ENC combination unit.



ISO curve on a point-by-point of two NXM Series battery units.

NOTE: Photometric results shown are based on a simulation using the AGI32 software with a 1 foot-candle average and 0.1 foot-candle minimum with a 40:1 maximum-minimum ratio. Emergi-Lite® assumes no responsibility for local requirements or specific project variables. This is a guideline to be used as a design aid, not a guarantee of any code compliances.



The logo for EMERGI-LITE, featuring a stylized blue square icon with a white diagonal line to the left of the text "EMERGI-LITE" in a bold, blue, sans-serif font, followed by a registered trademark symbol.

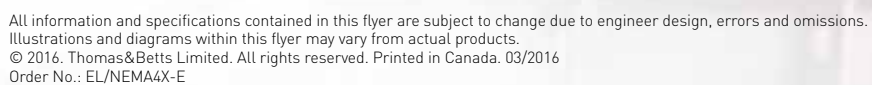
**EMERGI-LITE®**

The website address "www.emergi-lite.ca" in a white, sans-serif font, centered on a blue background that is a semi-transparent overlay of the industrial structure above.

[www.emergi-lite.ca](http://www.emergi-lite.ca)

The logo for Thomas & Betts, with the company name in a bold, italicized, black serif font, and the tagline "A Member of the ABB Group" in a smaller, black, sans-serif font below it.

**Thomas & Betts**  
A Member of the ABB Group

A block of small, black, sans-serif text providing a disclaimer and copyright information.

All information and specifications contained in this flyer are subject to change due to engineer design, errors and omissions. Illustrations and diagrams within this flyer may vary from actual products.  
© 2016, Thomas & Betts Limited. All rights reserved. Printed in Canada. 03/2016  
Order No.: EL/NEMA4X-E