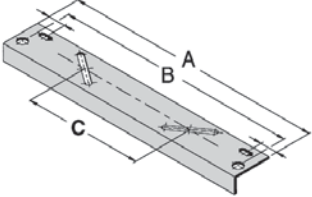
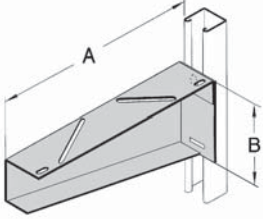
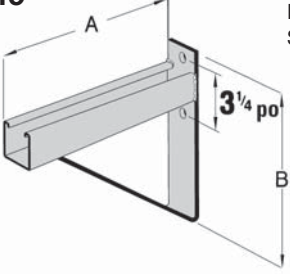
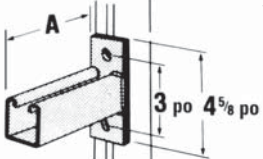
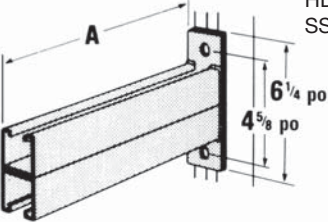
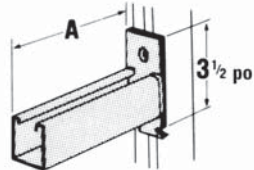
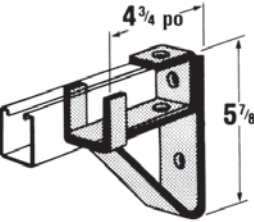
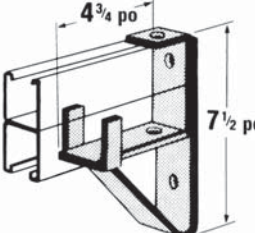
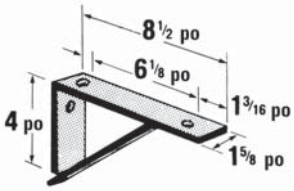
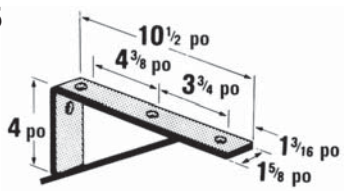
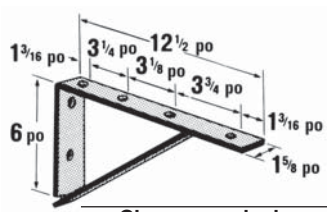
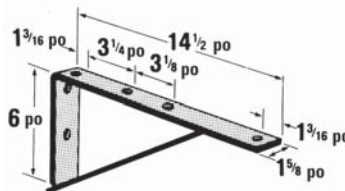
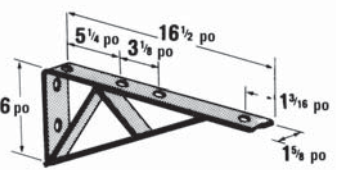
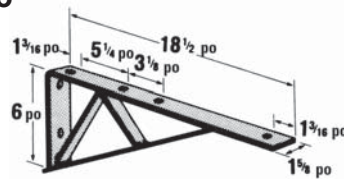


### Supports

<p><b>S202</b> *Fini HDG</p>  <table border="1"> <thead> <tr> <th rowspan="2">N° de cat.</th> <th colspan="3">Dimension (po)</th> <th rowspan="2">Poids/100 (lb)</th> </tr> <tr> <th>A</th> <th>B</th> <th>C</th> </tr> </thead> <tbody> <tr><td>S202-6*</td><td>6</td><td>5</td><td>—</td><td>75</td></tr> <tr><td>S202-9*</td><td>9</td><td>8</td><td>2</td><td>100</td></tr> <tr><td>S202-15*</td><td>15</td><td>14</td><td>18</td><td>175</td></tr> <tr><td>S202-21*</td><td>21</td><td>20</td><td>14</td><td>250</td></tr> <tr><td>S202-27*</td><td>27</td><td>26</td><td>20</td><td>325</td></tr> <tr><td>S202-33*</td><td>33</td><td>32</td><td>26</td><td>400</td></tr> </tbody> </table>	N° de cat.	Dimension (po)			Poids/100 (lb)	A	B	C	S202-6*	6	5	—	75	S202-9*	9	8	2	100	S202-15*	15	14	18	175	S202-21*	21	20	14	250	S202-27*	27	26	20	325	S202-33*	33	32	26	400	<p><b>S203</b> *Fini HDG</p>  <table border="1"> <thead> <tr> <th rowspan="2">N° de cat.</th> <th colspan="3">Dimensions Charge (po)</th> <th rowspan="2">nom. (lb)</th> <th rowspan="2">Poids/100 (lb)</th> </tr> <tr> <th>A</th> <th>B</th> <th>(lb)</th> </tr> </thead> <tbody> <tr><td>S203-8*</td><td>8-1/2</td><td>4-1/16</td><td>1200</td><td>180</td></tr> <tr><td>S203-14*</td><td>14-1/2</td><td>5-3/8</td><td>1200</td><td>325</td></tr> <tr><td>S203-20*</td><td>20-1/2</td><td>6-11/16</td><td>1200</td><td>525</td></tr> <tr><td>S203-26*</td><td>26-1/2</td><td>8</td><td>1200</td><td>675</td></tr> <tr><td>S203-32*</td><td>32-1/2</td><td>8</td><td>1200</td><td>840</td></tr> <tr><td>S203-38*</td><td>38-1/2</td><td>8</td><td>1200</td><td>1050</td></tr> </tbody> </table>	N° de cat.	Dimensions Charge (po)			nom. (lb)	Poids/100 (lb)	A	B	(lb)	S203-8*	8-1/2	4-1/16	1200	180	S203-14*	14-1/2	5-3/8	1200	325	S203-20*	20-1/2	6-11/16	1200	525	S203-26*	26-1/2	8	1200	675	S203-32*	32-1/2	8	1200	840	S203-38*	38-1/2	8	1200	1050	<p><b>S249</b> *Finis HDG SS6C</p>  <table border="1"> <thead> <tr> <th rowspan="2">N° de cat.</th> <th colspan="3">Dimensions Charge (po)</th> <th rowspan="2">nom. (lb)</th> <th rowspan="2">Poids/100 (lb)</th> </tr> <tr> <th>A</th> <th>B</th> <th>(lb)</th> </tr> </thead> <tbody> <tr><td>S249-8*</td><td>8-1/2</td><td>8</td><td>1500</td><td>320</td></tr> <tr><td>S249-14*</td><td>14-1/2</td><td>9</td><td>1500</td><td>520</td></tr> <tr><td>S249-20*</td><td>20-1/2</td><td>9</td><td>1500</td><td>660</td></tr> <tr><td>S249-26*</td><td>26-1/2</td><td>11-1/2</td><td>1500</td><td>870</td></tr> <tr><td>S249-32*</td><td>32-1/2</td><td>11-1/2</td><td>1500</td><td>1030</td></tr> <tr><td>S249-38*</td><td>38-1/2</td><td>11-1/2</td><td>1500</td><td>1230</td></tr> </tbody> </table>	N° de cat.	Dimensions Charge (po)			nom. (lb)	Poids/100 (lb)	A	B	(lb)	S249-8*	8-1/2	8	1500	320	S249-14*	14-1/2	9	1500	520	S249-20*	20-1/2	9	1500	660	S249-26*	26-1/2	11-1/2	1500	870	S249-32*	32-1/2	11-1/2	1500	1030	S249-38*	38-1/2	11-1/2	1500	1230		
N° de cat.		Dimension (po)				Poids/100 (lb)																																																																																																																		
	A	B	C																																																																																																																					
S202-6*	6	5	—	75																																																																																																																				
S202-9*	9	8	2	100																																																																																																																				
S202-15*	15	14	18	175																																																																																																																				
S202-21*	21	20	14	250																																																																																																																				
S202-27*	27	26	20	325																																																																																																																				
S202-33*	33	32	26	400																																																																																																																				
N° de cat.	Dimensions Charge (po)			nom. (lb)	Poids/100 (lb)																																																																																																																			
	A	B	(lb)																																																																																																																					
S203-8*	8-1/2	4-1/16	1200	180																																																																																																																				
S203-14*	14-1/2	5-3/8	1200	325																																																																																																																				
S203-20*	20-1/2	6-11/16	1200	525																																																																																																																				
S203-26*	26-1/2	8	1200	675																																																																																																																				
S203-32*	32-1/2	8	1200	840																																																																																																																				
S203-38*	38-1/2	8	1200	1050																																																																																																																				
N° de cat.	Dimensions Charge (po)			nom. (lb)	Poids/100 (lb)																																																																																																																			
	A	B	(lb)																																																																																																																					
S249-8*	8-1/2	8	1500	320																																																																																																																				
S249-14*	14-1/2	9	1500	520																																																																																																																				
S249-20*	20-1/2	9	1500	660																																																																																																																				
S249-26*	26-1/2	11-1/2	1500	870																																																																																																																				
S249-32*	32-1/2	11-1/2	1500	1030																																																																																																																				
S249-38*	38-1/2	11-1/2	1500	1230																																																																																																																				
<p><b>S250</b> *Finis HDG SS6C</p>  <table border="1"> <thead> <tr> <th rowspan="2">Poids/100 N° de cat.</th> <th rowspan="2">Dim. (po) A</th> <th colspan="2">Charge nominale (lb)</th> </tr> <tr> <th>(lb)</th> <th>(lb)</th> </tr> </thead> <tbody> <tr><td>S250-6*</td><td>6</td><td>1500</td><td>150</td></tr> <tr><td>S250-8*</td><td>8-1/2</td><td>1500</td><td>150</td></tr> <tr><td>S250-12*</td><td>12</td><td>800</td><td>250</td></tr> <tr><td>S250-14*</td><td>14-1/2</td><td>800</td><td>250</td></tr> <tr><td>S250-18*</td><td>18</td><td>550</td><td>350</td></tr> <tr><td>S250-20*</td><td>20-1/2</td><td>550</td><td>350</td></tr> <tr><td>S250-24*</td><td>24</td><td>400</td><td>450</td></tr> <tr><td>S250-26*</td><td>26-1/2</td><td>400</td><td>450</td></tr> </tbody> </table> <p>La capacité de charge demeure la même quand le support est inversé.</p>	Poids/100 N° de cat.	Dim. (po) A	Charge nominale (lb)		(lb)	(lb)	S250-6*	6	1500	150	S250-8*	8-1/2	1500	150	S250-12*	12	800	250	S250-14*	14-1/2	800	250	S250-18*	18	550	350	S250-20*	20-1/2	550	350	S250-24*	24	400	450	S250-26*	26-1/2	400	450	<p><b>S251</b> *Finis HDGC SS6C</p>  <table border="1"> <thead> <tr> <th rowspan="2">N° de cat.</th> <th rowspan="2">Dim. (po) A</th> <th rowspan="2">Charge nominale (lb)</th> <th rowspan="2">Poids/100 (lb)</th> </tr> </thead> <tbody> <tr><td>S251-12*</td><td>12</td><td>1650</td><td>514</td></tr> <tr><td>S251-14*</td><td>14-1/2</td><td>1650</td><td>514</td></tr> <tr><td>S251-18*</td><td>18</td><td>1050</td><td>714</td></tr> <tr><td>S251-20*</td><td>20-1/2</td><td>1050</td><td>714</td></tr> <tr><td>S251-24*</td><td>24</td><td>800</td><td>914</td></tr> <tr><td>S251-26*</td><td>26-1/2</td><td>800</td><td>914</td></tr> <tr><td>S251-30*</td><td>30</td><td>650</td><td>1114</td></tr> <tr><td>S251-32*</td><td>32-1/2</td><td>650</td><td>1114</td></tr> <tr><td>S251-36*</td><td>36</td><td>500</td><td>1314</td></tr> <tr><td>S251-38*</td><td>38-1/2</td><td>500</td><td>1314</td></tr> </tbody> </table>	N° de cat.	Dim. (po) A	Charge nominale (lb)	Poids/100 (lb)	S251-12*	12	1650	514	S251-14*	14-1/2	1650	514	S251-18*	18	1050	714	S251-20*	20-1/2	1050	714	S251-24*	24	800	914	S251-26*	26-1/2	800	914	S251-30*	30	650	1114	S251-32*	32-1/2	650	1114	S251-36*	36	500	1314	S251-38*	38-1/2	500	1314	<p><b>S256</b> *Finis HDGC SS6</p>  <table border="1"> <thead> <tr> <th rowspan="2">N° de cat.</th> <th rowspan="2">Dim. (po) A</th> <th rowspan="2">Charge nominale (lb)</th> <th rowspan="2">Poids/100 (lb)</th> </tr> </thead> <tbody> <tr><td>S256-6*</td><td>6</td><td>1000</td><td>151</td></tr> <tr><td>S256-8*</td><td>8-1/2</td><td>1000</td><td>151</td></tr> <tr><td>S256-12*</td><td>12</td><td>500</td><td>251</td></tr> <tr><td>S256-14*</td><td>14-1/2</td><td>500</td><td>251</td></tr> <tr><td>S256-18*</td><td>18</td><td>300</td><td>351</td></tr> <tr><td>S256-20*</td><td>20-1/2</td><td>300</td><td>351</td></tr> <tr><td>S256-24*</td><td>24</td><td>250</td><td>451</td></tr> <tr><td>S256-26*</td><td>26-1/2</td><td>250</td><td>451</td></tr> </tbody> </table> <p>Réduire la capacité de charge de 40 % lorsque le support est inversé.</p>	N° de cat.	Dim. (po) A	Charge nominale (lb)	Poids/100 (lb)	S256-6*	6	1000	151	S256-8*	8-1/2	1000	151	S256-12*	12	500	251	S256-14*	14-1/2	500	251	S256-18*	18	300	351	S256-20*	20-1/2	300	351	S256-24*	24	250	451	S256-26*	26-1/2	250	451
Poids/100 N° de cat.			Dim. (po) A	Charge nominale (lb)																																																																																																																				
	(lb)	(lb)																																																																																																																						
S250-6*	6	1500	150																																																																																																																					
S250-8*	8-1/2	1500	150																																																																																																																					
S250-12*	12	800	250																																																																																																																					
S250-14*	14-1/2	800	250																																																																																																																					
S250-18*	18	550	350																																																																																																																					
S250-20*	20-1/2	550	350																																																																																																																					
S250-24*	24	400	450																																																																																																																					
S250-26*	26-1/2	400	450																																																																																																																					
N° de cat.	Dim. (po) A	Charge nominale (lb)	Poids/100 (lb)																																																																																																																					
				S251-12*	12	1650	514																																																																																																																	
S251-14*	14-1/2	1650	514																																																																																																																					
S251-18*	18	1050	714																																																																																																																					
S251-20*	20-1/2	1050	714																																																																																																																					
S251-24*	24	800	914																																																																																																																					
S251-26*	26-1/2	800	914																																																																																																																					
S251-30*	30	650	1114																																																																																																																					
S251-32*	32-1/2	650	1114																																																																																																																					
S251-36*	36	500	1314																																																																																																																					
S251-38*	38-1/2	500	1314																																																																																																																					
N° de cat.	Dim. (po) A	Charge nominale (lb)	Poids/100 (lb)																																																																																																																					
				S256-6*	6	1000	151																																																																																																																	
S256-8*	8-1/2	1000	151																																																																																																																					
S256-12*	12	500	251																																																																																																																					
S256-14*	14-1/2	500	251																																																																																																																					
S256-18*	18	300	351																																																																																																																					
S256-20*	20-1/2	300	351																																																																																																																					
S256-24*	24	250	451																																																																																																																					
S256-26*	26-1/2	250	451																																																																																																																					
<p><b>S247</b></p>  <p><b>Couple (profilé à la verticale tel qu'illustré) Profilé de support</b></p> <table border="1"> <tbody> <tr><td>A-1200</td><td>5250 po-lb</td></tr> <tr><td>A-1400</td><td>3650 po-lb</td></tr> </tbody> </table> <p>Ces chiffres ne s'appliquent qu'au raccord, non au bras.</p> <p>Poids/100 : 229 lb</p> <p>S247HDG S247 S247SS6</p>	A-1200	5250 po-lb	A-1400	3650 po-lb	<p><b>S248</b></p>  <p><b>Couple (profilé à la verticale tel qu'illustré) Profilé de support</b></p> <table border="1"> <tbody> <tr><td>A-1202</td><td>10 800 po-lb</td></tr> <tr><td>A-1402</td><td>7500 po-lb</td></tr> </tbody> </table> <p>Ces chiffres ne s'appliquent qu'au raccord, non au bras.</p> <p>Poids/100 : 272 lb</p> <p>S248HDGC S248</p>	A-1202	10 800 po-lb	A-1402	7500 po-lb																																																																																																															
A-1200	5250 po-lb																																																																																																																							
A-1400	3650 po-lb																																																																																																																							
A-1202	10 800 po-lb																																																																																																																							
A-1402	7500 po-lb																																																																																																																							
<p><b>Thomas &amp; Betts</b></p>	<p>Matériaux</p>	<p>HDC(C) EG(C) (sans suffixe) SS6(C)</p> <p>Galvanisation par trempage à chaud Electrogalvanisé GoldGalv<sup>™</sup> Acier inoxydable type 316</p>	<p>Dimensions standard</p>	<p>Espacement des trous 13/16 po du bout Espacement des trous Entraxe de 1-7/8 po Grosseur des trous 9/16 po dia. Largeur du matériau 1-5/8 po Epaisseur du matériau 1/4 po</p>																																																																																																																				

**Supports**

<p><b>S204</b></p>  <table border="1" data-bbox="349 483 592 598"> <thead> <tr> <th colspan="2">Charge nominale uniforme (lb)</th> </tr> </thead> <tbody> <tr> <td>A-1200</td> <td>750</td> </tr> <tr> <td>A-1400</td> <td>500</td> </tr> </tbody> </table> <p><b>S204HDGC</b> <b>S204EG</b></p> <p>Poids/100 : 174 lb</p>	Charge nominale uniforme (lb)		A-1200	750	A-1400	500	<p><b>S205</b></p>  <table border="1" data-bbox="820 483 1063 598"> <thead> <tr> <th colspan="2">Charge nominale uniforme (lb)</th> </tr> </thead> <tbody> <tr> <td>A-1200</td> <td>750</td> </tr> <tr> <td>A-1400</td> <td>500</td> </tr> </tbody> </table> <p><b>S205HDGC</b> <b>S205</b></p> <p>Poids/100 : 264 lb</p>	Charge nominale uniforme (lb)		A-1200	750	A-1400	500	<p><b>S217</b></p>  <table border="1" data-bbox="1291 483 1534 598"> <thead> <tr> <th colspan="2">Charge nominale uniforme (lb)</th> </tr> </thead> <tbody> <tr> <td>A-1200</td> <td>750</td> </tr> <tr> <td>A-1400</td> <td>650</td> </tr> </tbody> </table> <p><b>S217HDG</b> <b>S217</b> <b>S217SS6</b></p> <p>Poids/100 : 264 lb</p>	Charge nominale uniforme (lb)		A-1200	750	A-1400	650
Charge nominale uniforme (lb)																				
A-1200	750																			
A-1400	500																			
Charge nominale uniforme (lb)																				
A-1200	750																			
A-1400	500																			
Charge nominale uniforme (lb)																				
A-1200	750																			
A-1400	650																			
<p><b>S218</b></p>  <table border="1" data-bbox="349 903 592 1018"> <thead> <tr> <th colspan="2">Charge nominale uniforme (lb)</th> </tr> </thead> <tbody> <tr> <td>A-1200</td> <td>750</td> </tr> <tr> <td>A-1400</td> <td>650</td> </tr> </tbody> </table> <p><b>S218HDG</b> <b>S218</b></p> <p>Poids/100 : 295 lb</p>	Charge nominale uniforme (lb)		A-1200	750	A-1400	650	<p><b>S222</b></p>  <table border="1" data-bbox="820 903 1063 1018"> <thead> <tr> <th colspan="2">Charge nominale uniforme (lb)</th> </tr> </thead> <tbody> <tr> <td>A-1200</td> <td>1000</td> </tr> <tr> <td>A-1400</td> <td>750</td> </tr> </tbody> </table> <p><b>S222HDG</b> <b>S222</b></p> <p>Poids/100 : 385 lb</p>	Charge nominale uniforme (lb)		A-1200	1000	A-1400	750	<p><b>S226</b></p>  <table border="1" data-bbox="1291 903 1534 1018"> <thead> <tr> <th colspan="2">Charge nominale uniforme (lb)</th> </tr> </thead> <tbody> <tr> <td>A-1200</td> <td>1000</td> </tr> <tr> <td>A-1400</td> <td>750</td> </tr> </tbody> </table> <p><b>S226HDG</b> <b>S226</b></p> <p>Poids/100 : 421 lb</p>	Charge nominale uniforme (lb)		A-1200	1000	A-1400	750
Charge nominale uniforme (lb)																				
A-1200	750																			
A-1400	650																			
Charge nominale uniforme (lb)																				
A-1200	1000																			
A-1400	750																			
Charge nominale uniforme (lb)																				
A-1200	1000																			
A-1400	750																			