

***Steel City***<sup>®</sup>

## **68-HP Floor Box**

Universal 3-Gang Design Provides Superior Capacity and Mounting Flexibility



**Bigger is Better**

**Largest in industry**

**Data / Power in one**



***Thomas & Betts***

## Steel City® 68-HP Floor Box

Innovative 3-Gang Round Floor Box  
for Power, Data and AV



Combines the **Capacity** of a 3-gang box with the **Affordability** of a round nonmetallic floor box

- 6" diameter round nonmetallic floor box — the largest in the industry.
- Large inline hubs for power and data wiring: 1" hubs for power, 1-1/2" hubs for data.

**Unmatched Flexibility**  
to configure any  
combination of power and  
communications devices

- Accepts standard devices from any manufacturer, including duplex, GFCI, locking, hospital grade or isolated ground receptacles.
- Accommodates a wide variety of multi-media devices through the use of rectangular adapters.





## No leveling, gluing or aligning for an Easy Installation

- No wasted time leveling the box before the concrete is poured — simply cut the box at the appropriate height after the pour.
- No gluing — stainless steel retention barbs secure the mounting frame to the box.
- Round design — no need to align the box with walls during installation.



Stainless Steel Barbs

## Easy-to-Use covers made of Durable solid brass or aluminum



Lid Lies Flat Against the Floor While In Use



Slide Latch for Tool-less Access

- Stands up to heavy carts, cleaning equipment, and general floor traffic.
- Convenient slide latch provides **tool-less** access to devices.
- Lid **lies flat** while in use to minimize obstructions above floor level.

## Furniture-Feed and Cast Iron options for a Comprehensive floor box solution

- Dual-voltage furniture-feed covers transition power and communications wiring from the floor into modular furniture.
- Cast iron box with a nonmetallic collar for slab on grade or metallic conduit applications.



1" Hub for Power, 1-1/2" Hub for Data

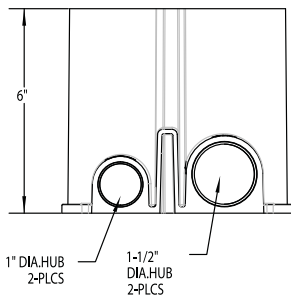
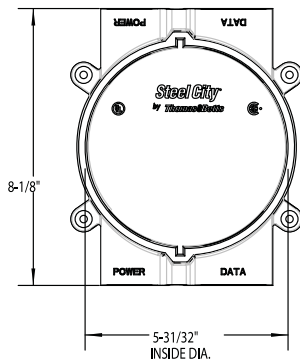


## Steel City® 68-HP Floor Box

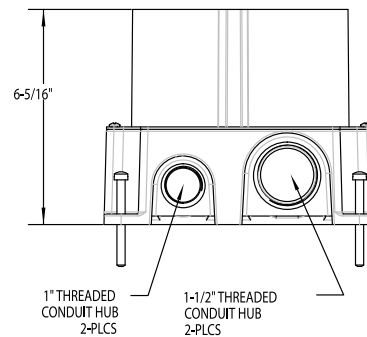
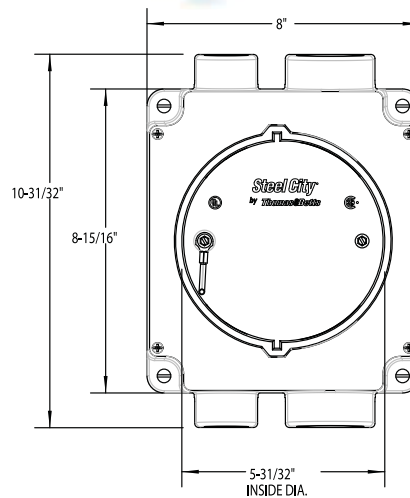
### Floor Boxes



**68-HP**  
6" Round  
Nonmetallic  
Floor Box



**68-HP-CI**  
Cast Iron Floor Box  
with 6" Round  
Nonmetallic Collar



Cat. No.	Description	Minimum Concrete Depth		Std. Pkg. Qty.	UPC Number
		Flush (in.)	Furniture-Feed (in.)		
<b>68-HP*</b>	6" Round Nonmetallic Floor Box	4	3-1/2	4	78599105619
<b>68-HP-CI</b>	Cast Iron Floor Box with 6" Round Non-Metallic Collar	4-1/2	4	1	78599105620

\* Includes (2) 1-1/2" to 1" reducers and (2) 1" to 3/4" reducers.

# Steel City® 68-HP Floor Box

## Flush Covers

- Slide latch for **tool-less** access to devices.
- Lid **lies flat** when box is in use.
- Requires Flush Mounting Kit (Cat. No. 68-HP-FMK) to mount cover (see page 6).



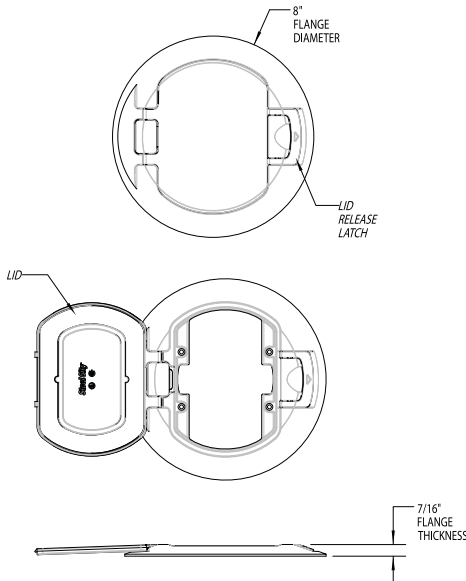
**68-HP-FC-ALM**  
Aluminum cover  
with brushed finish



**68-HP-FC-BRS**  
Solid brass cover  
with brushed finish



**68-HP-FC-BLK**  
Aluminum cover  
with powder-coated  
black finish



Pull slide latch  
to release lid

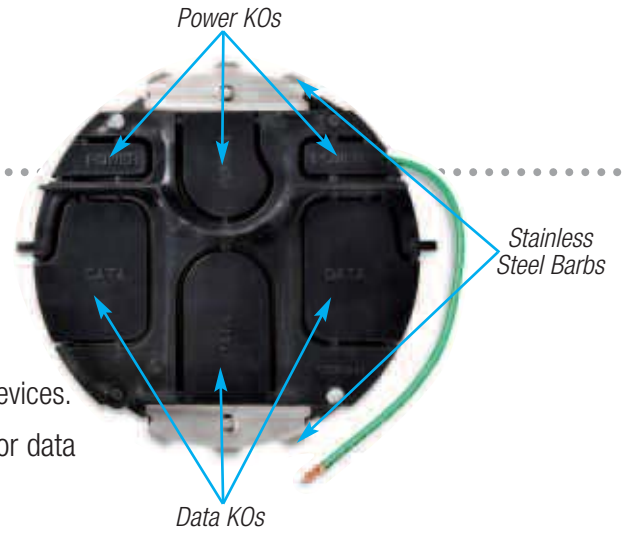


Cat. No.	Description	Std. Pkg. Qty.	UPC Number
<b>68-HP-FC-ALM</b>	Flush Cover — Aluminum with Brushed Finish, 1,000 lb. Load Rating	4	78599105627
<b>68-HP-FC-BRS</b>	Flush Cover — Solid Brass with Brushed Finish, 1,500 lb. Load Rating	4	78599105626
<b>68-HP-FC-BLK</b>	Flush Cover — Aluminum with Black Powder-Coated Finish, 1,000 lb. Load Rating	4	78599105628

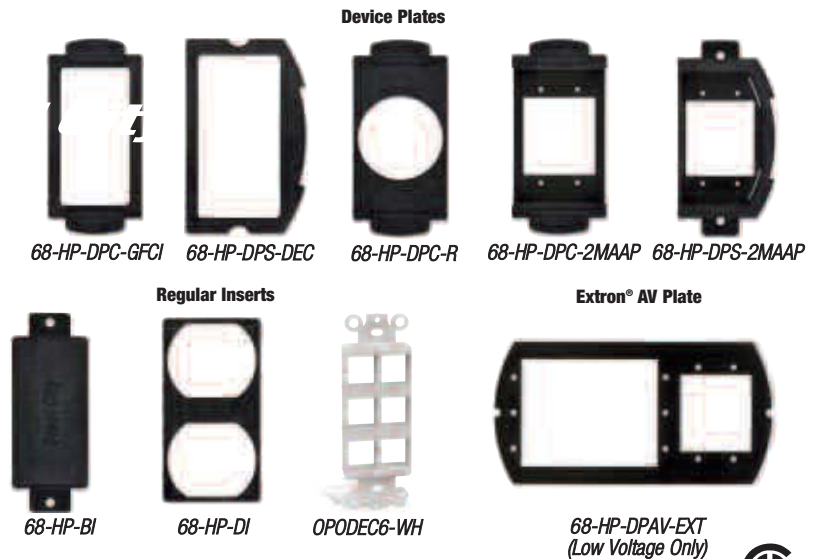
## Steel City® 68-HP Floor Box

### Flush Mounting Kit and Accessories

- Flush Mounting Kit required in order to mount devices and covers to the 68-HP Series floor box.
- Stainless steel barbs — no gluing required.
- Includes (3) compartments for standard devices.
- Voltage dividers allow any combination of power and communications devices.
- Each compartment includes (1) knockout for power and (1) knockout for data for access to either power or communications wiring.



### Optional Accessories



Cat. No.	Description	Std. Pkg. Qty.	UPC Number
<b>68-HP-FMK</b>	Mounting Kit for Flush Covers	4	78599105622
<b>68-HP-DPC-GFCI</b>	Center Device Plate — GFCI/Rectangular Receptacle	10	78599105633
<b>68-HP-DPS-DEC</b>	Side Device Plate — Rectangular Receptacle	10	78599105632
<b>68-HP-DPC-R</b>	Center Device Plate — Single Round Receptacle, 1-5/8" Opening	10	78599105646
<b>68-HP-DPC-2MAAP</b>	Center Device Plate — 2 Extron® MAAP Plates*	10	78599105655
<b>68-HP-DPS-2MAAP</b>	Side Device Plate — 2 Extron® MAAP Plates*	10	78599105647
<b>68-HP-BI</b>	Rectangular Insert — Blank (for unused compartments)	10	78599105670
<b>68-HP-DI</b>	Rectangular Insert — Duplex Receptacle	10	78599105669
<b>OPODEC6-WH</b>	Rectangular Adapter for GFCI/Rectangular Device Plate — 6-Port Data, Keystone, White**	5	78620992475
<b>68-HP-DPAV-EXT</b>	Extron® AV Plate — 3 AAP Plates, 2 MAAP Plates*	1	78620992475

\* Extron® MAAP Plates purchased from an authorized Extron® distributor. Extron® is a registered trademark of RGB Systems, Incorporated.

\*\* Additional rectangular adapters available for low voltage applications — see Communications Accessories on back page.



# Steel City® 68-HP Floor Box

## Furniture-Feed Covers and Mounting Kit

- Dual-voltage covers for feeding power and communications wiring to modular furniture.
- Furniture-Feed Mounting Kit required to mount covers to the 68-HP Series floor box.



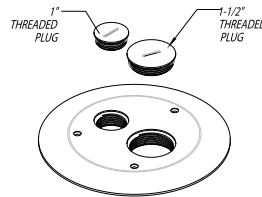
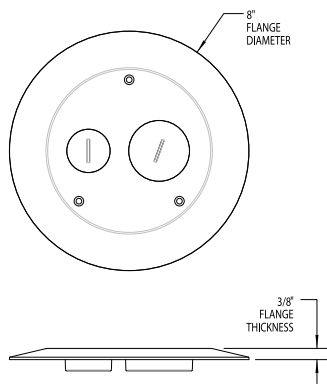
**68-HP-FFC-ALM**  
Aluminum cover  
with brushed finish



**68-HP-FFC-BRS**  
Solid brass cover  
with brushed finish



**68-HP-FFC-BLK**  
Aluminum cover with  
powder-coated black finish



**68-HP-FFMK**  
Furniture-Feed  
Mounting Kit

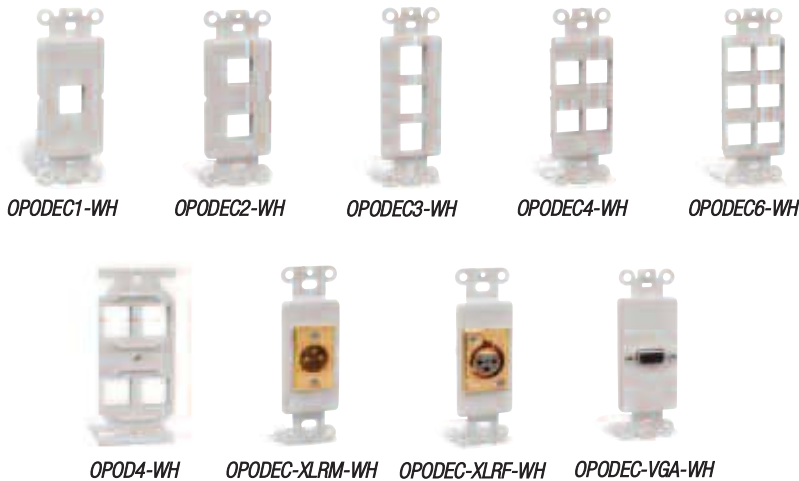


Cat. No.	Description	Std. Pkg. Qty.	UPC Number
<b>68-HP-FFC-ALM</b>	Furniture-Feed Cover — Aluminum with Brushed Finish	4	78599105630
<b>68-HP-FFC-BRS</b>	Furniture-Feed Cover — Solid Brass with Brushed Finish	4	78599105629
<b>68-HP-FFC-BLK</b>	Furniture-Feed Cover — Aluminum with Black Powder-Coated Finish	4	78599105631
<b>68-HP-FFMK</b>	Mounting Kit for Furniture-Feed Covers	4	78599105623

## Steel City® 68-HP Floor Box

### Communications Accessories

#### Rectangular/Duplex Adapters



#### Keystone Inserts



Cat. No.	Description	Std. Pack Qty.	UPC
<b>Rectangular/Duplex Adapters for Use with Standard Floor Box Device Plates</b>			
<b>OPODEC1-WH</b>	Rectangular Adapter for GFCI Device Plate, 1-port, Keystone, White	5	78620992471
<b>OPODEC2-WH</b>	Rectangular Adapter for GFCI Device Plate, 2-port, Keystone, White	5	78620992472
<b>OPODEC3-WH</b>	Rectangular Adapter for GFCI Device Plate, 3-port, Keystone, White	5	78620992473
<b>OPODEC4-WH</b>	Rectangular Adapter for GFCI Device Plate, 4-port, Keystone, White	5	78620992474
<b>OPODEC6-WH</b>	Rectangular Adapter for GFCI Device Plate, 6-port, Keystone, White	5	78620992475
<b>OPOD4-WH</b>	Duplex Adapter, 4-port, Keystone, White	10	78621079475
<b>OPODEC-XLRM-WH</b>	Rectangular Adapter, Male XLR Microphone Jack, Solder Leads, White	5	78620992476
<b>OPODEC-XLRF-WH</b>	Rectangular Adapter, Female XLR Microphone Jack, Solder Leads, White	5	78620992477
<b>OPODEC-VGA-WH</b>	Rectangular Adapter, VGA Connector, Female-to-female, White	5	78620992478

Cat. No.	Description	Std. Pack Qty.	UPC
<b>Keystone Inserts for Data, Voice, and Audio-Visual Applications</b>			
<b>OPJDU5EL-WH</b>	Cat-5e Data Jack, Keystone, White	5	78621092973
<b>OPJDU6L-WH</b>	Cat-6 Data Jack, Keystone, White	5	78621092974
<b>OPJV6CL-WH</b>	Voice Jack, 6-Conductor, USOC, Keystone, White	5	78621092975
<b>OPAFR</b>	F-Connector, Recessed, Keystone, 1 GHz, Female-to-Female, Red	5	78620992485
<b>OPA35-WH</b>	3.5 mm Stereo Connector, Recessed, Keystone, Female-to-Female, White	5	78620992479
<b>OPARCAW</b>	RCA Connector – Recessed, Keystone, Female-to-Female, White	5	78620992482
<b>OPARCAR</b>	RCA Connector – Recessed, Keystone, Female-to-Female, Red	5	78620992483
<b>OPARCAY</b>	RCA Connector – Recessed, Keystone, Female-to-Female, Yellow	5	78620992481
<b>OPAS-WH</b>	S-Video Connector, 4-Pin, Recessed, Keystone, Female-to-Female, White	5	78620992484
<b>OPAHDMI-WH</b>	HDMI Connector, Recessed, Keystone, Female-to-Female, White	5	78620992480
<b>OPAB-WH</b>	Blank Insert, Keystone, White	25	78621079392

**Atlantic Region**  
Tel.: (902) 450-1307  
Toll Free: 1-877-862-4357  
Fax: (902) 450-1309

**Quebec Region**  
Tel.: (450) 466-1102  
Toll Free: 1-800-465-1399  
Fax: (450) 466-1163

**Ontario Region**  
Tel.: (905) 858-1010  
Toll Free: 1-877-291-7771  
Fax: (905) 858-1080

**Western Region  
Surrey, British Columbia**  
Tel.: (604) 598-9811  
Toll Free: 1-866-540-8220  
Fax: (604) 598-9840

**Western Region  
Edmonton, Alberta**  
Tel.: (780) 424-7092  
Toll Free: 1-888-664-5666  
Fax: (780) 424-7093