

Steel City®



Single-Gang Residential Floor Box Kit for Wood Floors

Tired of tripping over extension cords? Look no further than the Steel City® Single-Gang Residential Floor Box Kit from Thomas & Betts. This affordable and conveniently packaged kit for the residential market provides power right where you need it most.

- Complete residential floor box kit includes a Steel City® switch box, cover, flange and receptacle.
- Durable metallic covers and flanges are available in aesthetic brass or nickel finishes.
- Available with duplex or GFCI receptacle.
- MopTite™ covers meet UL scubwater requirements for wood, tile and carpet.
- 3" x 2" Switch Box is 3-1/2" deep with 18 cu. in. capacity
- Box includes integral nonmetallic sheathed cable clamps

Material: Box – Galvanized Steel
 Cover – Brass or Nickel-Plated Aluminum
 Flange – Die-Cast Zinc with Brass or Nickel finish

Listing:  

Complete Kit



Brass finish with duplex receptacle



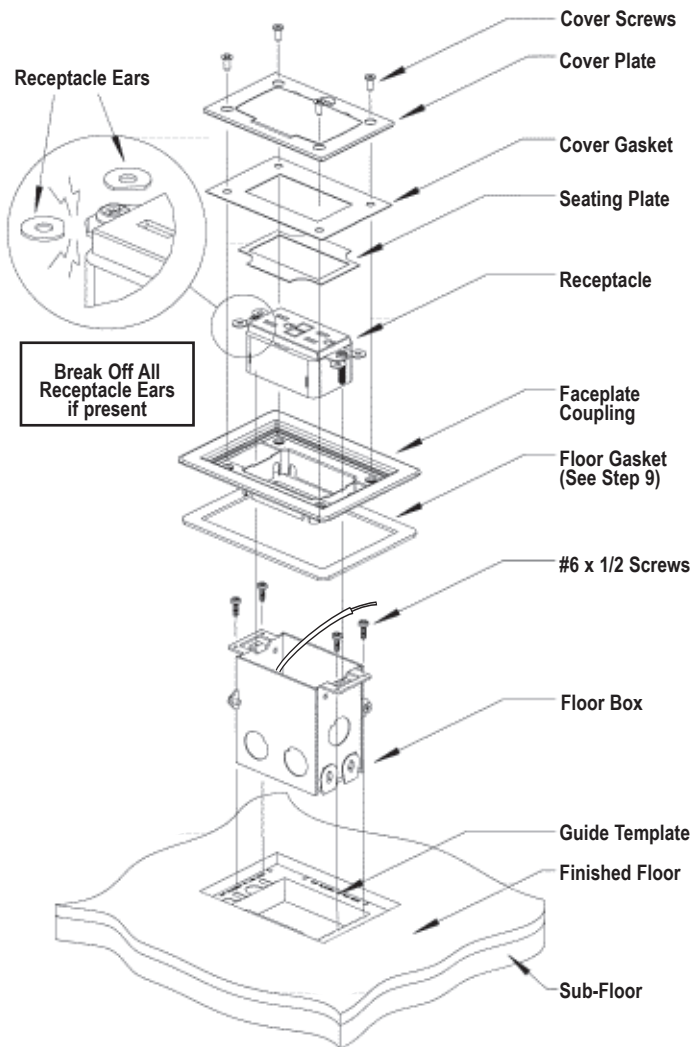
Nickel finish with GFCI receptacle

Steel City® Single-Gang Residential Floor Box Kit

Cat. Number	Description	Std. Pkg. Qty.
71W-DS-C	Single-Gang Residential Floor Box - Duplex Receptacle, Brass Finish	4
71W-DS-N-C	Single-Gang Residential Floor Box - Duplex Receptacle, Nickel Finish	4
71W-GFCI-C	Single-Gang Residential Floor Box - GFCI Receptacle, Brass Finish	4
71W-GFCI-N-C	Single-Gang Residential Floor Box - GFCI Receptacle, Nickel Finish	4

Features:

1. Faceplate coupling made from a high strength zinc alloy. (flange is 1/8" thick)
2. P64 Series covers from GFCI or Duplex receptacles.
3. Steel floor box, 18.0 cu. inch capacity with (2) 1/2" K.O.'s on each side, (1) 1/2" K.O and (2) cable K.O.'s with non-metallic sheathed cable clamps each end and (1) K.O. on bottom. Comes with 12 AWG insulated copper grounding wire pigtail.
4. GFCI and Duplex receptacles are rated at 15amp 125V and provided with a white face.
5. Strain relief furnished for non-metallic sheathed cable only.



Application:

For use in a floor on a conventional foundation (not slab). Uses Thomas & Betts P64 series covers. **71W** series single-gang floor boxes can be installed on hard finished floors such as wood, ceramic tile or carpeted floors.

Note: Minimum 3/8" finished floor thickness required.

Follow National and Local Electrical codes when installing box and cover to floor.

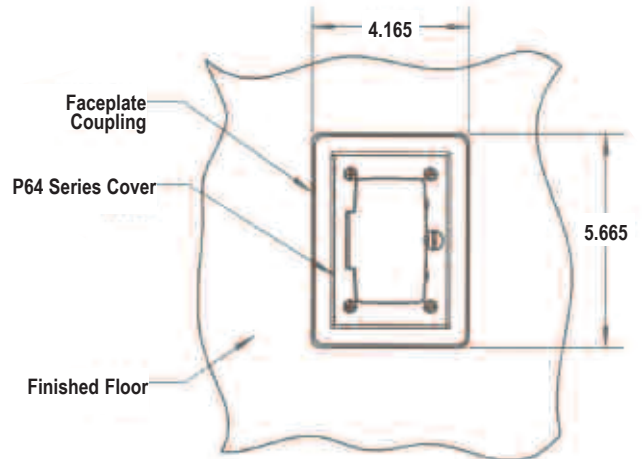
Do not install directly over floor joists.

Faceplate Coupling Installation Option:

Option A: For hardwood floor application, place the Floor Gasket that is provided between the floor and the Faceplate Coupling before final installation.

Option B: For ceramic tile, apply appropriate caulk or sealant between the floor and the bottom flange of the Faceplate Coupling.

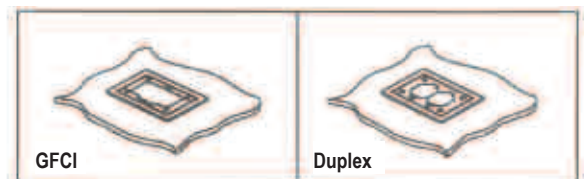
Top view:



Side view:



Covers:



Atlantic Region
 Thomas & Betts Limited
 106 Chain Lake Drive, Unit 2C
 Halifax, Nova Scotia B3S 1A8
 Tel.: (902) 450-1307
 Toll Free: 1-877-862-4357
 Fax: (902) 450-1309

Quebec Region
 Thomas & Betts Limited
 7900 Taschereau Boulevard
 Building D, Suite 108
 Brossard, Quebec J4X 1C2
 Tel.: (450) 466-1102
 Toll Free: 1-800-465-1399
 Fax: (450) 466-1163

Ontario Region
 Thomas & Betts Limited
 2000 Argenta Road
 Plaza 5, Suite 500
 Mississauga, Ontario L5N 2R7
 Tel.: (905) 858-1010
 Toll Free: 1-877-291-7771
 Fax: (905) 858-1080

Western Region
 Thomas & Betts Limited
 6531 - 148th Street, #1
 Surrey, British Columbia V3S 3C5
 Tel.: (604) 598-9811
 Toll Free: 1-866-540-8220
 Fax: (604) 598-9840

Thomas & Betts Limited
 4836 Eleniak Road
 Edmonton, Alberta T6B 2S1
 Tel.: (780) 424-7092
 Toll Free: 1-888-664-5666
 Fax: (780) 424-7093
 Toll Free: 1-866-424-4082