

Another innovative solution for Wire and Cable Management



BC Hydro-approved, transformer-rated meter sockets

Microelectric® JS4B-STW
meter socket meets new
requirements for single-family
residential services

The Microelectric® JS4B-STW all-in-one 400 A meter socket with integral CT complies with BC Hydro instrument transformer enclosure requirements for services approved after March 1, 2013.

- Single Phase Service 400 A 120/240 V
- Load side terminations: tunnel type connectors, dual rated for 1 x 500 kcmil or 2 x 250 kcmil
- 30-5/8 in. H x 20-1/4 in. W x 8-3/8 in. D, heavy gauge galvanized steel. Oven-cured grey enamel finish. Weight each: 72 lb./32.7 kg
- Three 1-1/4 in., 1-1/2 in., 2 in., 2-1/2 in., 3 in., 3-1/2 in., 4 in. bottom Knockouts
- Weatherproof Type 3R enclosure
- 400/5 A, 5 Jaw, provision only for test switches
- Provision only for test switches (test switches supplied by BC Hydro)
- Provision only for current transformer (transformer supplied by BC Hydro)
- A secondary circuit wiring not included (secondary circuit wired by BC Hydro)
- BC Hydro requires a disconnect means on the line side of metering when using a JS4B-STW



Meets BC Hydro requirements

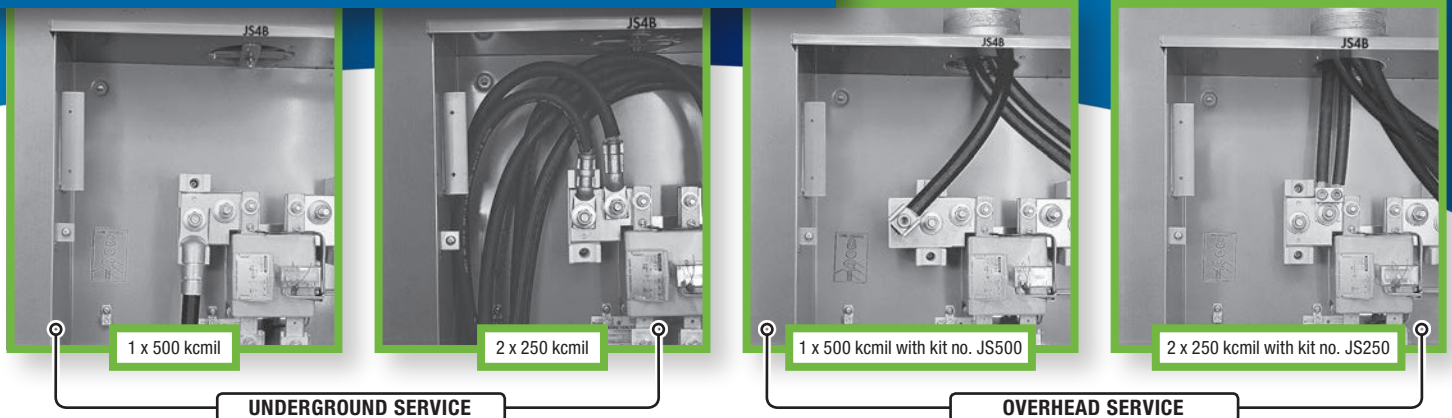
For single-family residential services

Twin covers provide access to compartments

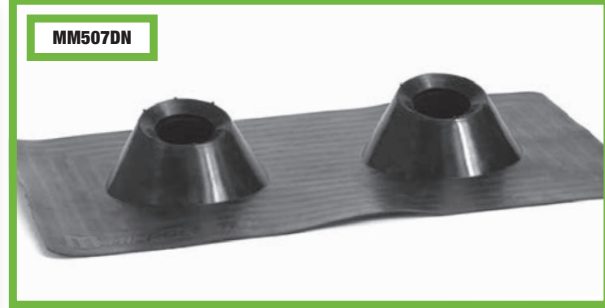
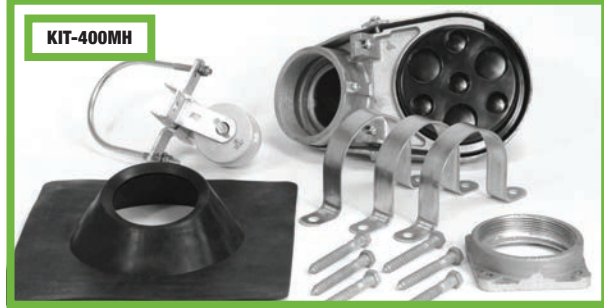
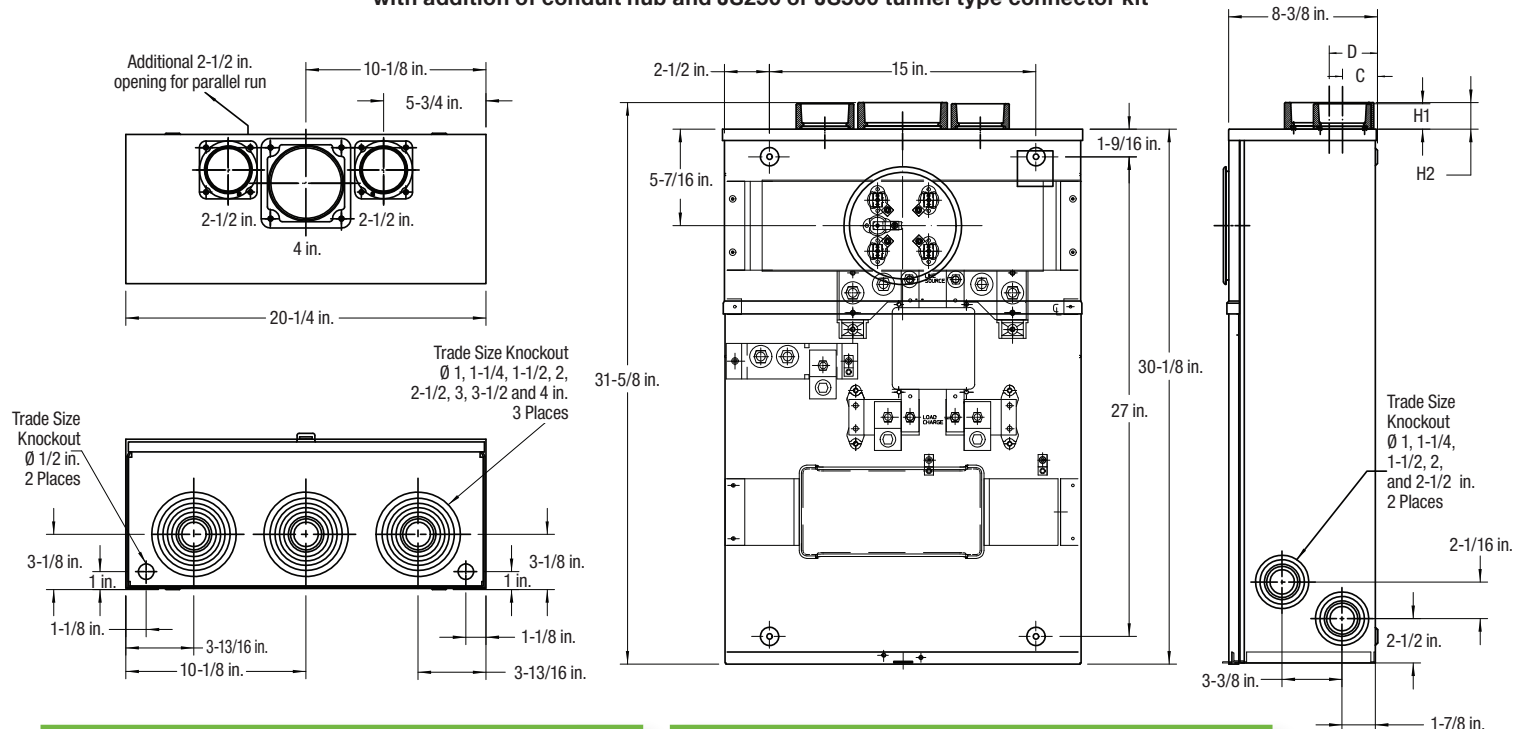


Thomas & Betts. Your best connection for innovative solutions.

JS4 Series – Single Phase Service 400 A 120/240 V



Hub opening closure plate for underground service. All units can be converted to overhead service with addition of conduit hub and JS250 or JS500 tunnel type connector kit



CAT. NO.	DESCRIPTION	DIMENSIONS (in.)			WEIGHT PER EACH	
		H	W	D	lb.	kg
JS4B-STW	400 A, 120/240 V, BC Hydro-approved	30-1/8	20-1/4	8-3/8	63.5	28.8
KIT-400MH	4 in. Entrance head, spool rack, roof flange, mast coupler, pipe straps	—	—	—	15.0	6.8
MM507DN	2-1/2 in. Double roof flange for parallel runs	—	19-3/4	12	1.0	0.4

Atlantic Provinces
 Thomas & Betts Limited
 Tel.: (902) 450-1307
 Toll Free: 1-877-862-4357
 Fax: (902) 450-1309

Quebec
 Thomas & Betts Limited
 Tel.: (450) 466-1102
 Toll Free: 1-800-465-1399
 Fax: (450) 466-1163

Ontario
 Thomas & Betts Limited
 Tel.: (905) 858-1010
 Toll Free: 1-877-291-7771
 Fax: (905) 858-1080

Manitoba/Saskatchewan
 Thomas & Betts Limited
 Tel.: (604) 598-9811
 Toll Free: 1-866-540-8220
 Fax: (604) 598-9840

Alberta
 Thomas & Betts Limited
 Tel.: (780) 424-7092
 Toll Free: 1-888-664-5666
 Fax: (780) 424-7093
 Toll Free: 1-866-424-4082

British Columbia
 Thomas & Betts Limited
 Tel.: (604) 598-9811
 Toll Free: 1-866-540-8220
 Fax: (604) 598-9840