

Installing Dies

Dies for Standard Color-Keyed® / Blackburn® Lugs & Splices

Connector Size			Color-Keyed Die Color	TBM45S	TBM4S	TBM840	TBM8-750M-1 TBM8-750BSCR TBM8-750	TBM-8/8S Die Cat. No.	TBM-5/5S Die Cat. No.	TBM6/6S / 25000		13642M / 13400 Hydraulic Head		TBM12 Hydraulic Head	
Code Copper	Flex /24	AL								Cat. No. Upper Die	Cat. No. Lower Die	Die Cat. No.	Die Code No.	Die Cat. No.	Die Code No.
8 AWG	37/24	10 AWG	RED	C-Taps Only	↕	↕	↕	13461	13454	13475	13477	11732	21	TBM12D-1	21
6 AWG	61/24	8 AWG	BLUE							13475	13477	11733	24	TBM12D-1	24
4 AWG	91/24	6 AWG	GREY							13472	13476	11734	29	TBM12D-2	29
2 AWG	125/24		BROWN							13474	13477	11735	33	TBM12D-2	33
1 AWG	150/24	4 AWG	GREEN							13474	13477	11736	37	TBM12D-3	37
1/0	225/24	2 AWG	PINK					13462	13455	13475	13477	11737	42	TBM12D-3	42
2/0	275/24		BLACK							13474	13477	11738	45	TBM12D-4	45
3/0	325/24		ORANGE							13474	13477	11739	50	TBM12D-4	50
4/0	450/24		PURPLE							13475	13477	11740	54	TBM12D-5	54
250 kcmil	550/24		YELLOW							13473	13476	11771	62	TBM12D-5	62
		1 AWG	GOLD					13464	13457	13474	13477	17738	45	TBM12D-4	45
		1/0	TAN							13474	13477	11739	50	TBM12D-4	50
		2/0	OLIVE							13475	13477	11740	54	TBM12D-5	54
		3/0	RUBY							13473	13476	11741	60	TBM12D-5	60
		4/0	WHITE							13473	13476	11742	66H	TBM12D-5	66H
300 kcmil								13465		13473	13476	11742	66H	TBM12D-5	66H
350 kcmil	775/24 (Short)	250 kcmil	RED					13466	13458	13472	13476	11743	71H	TBM12D-4	71H
400 kcmil	775/24 (Long)	300 kcmil	BLUE					13467	4/0 Only	13472	13476	11744	76H	TBM12D-4	76H
	925/24*		N/A							13479	13676	11745	80H		
500 kcmil		350 kcmil	BROWN	13468		13478	13478	11746-TB	87H	TBM12D-3	87H				
600 kcmil	1100/24	400 kcmil	GREEN					11747	94H	TBM12D-3	94H				
			GREEN								94H				
	1325/24**		PINK												
700 kcmil		500 kcmil	PINK					11748	99H	TBM12D-2	99H				
750 kcmil		650 kcmil	BLACK					11749	106H	TBM12D-2	106H				
800 kcmil			ORANGE					11750	107H						
		700 kcmil	PURPLE					11751	112H	TBM12D-1	112H				
900 kcmil	1925/24	750 kcmil	YELLOW					11753	115H	TBM12D-1	115H				
1000 kcmil		800 kcmil													
		1000 kcmil													

* Standard barrel only. Long barrel requires Brown 87H.

** Standard barrel only. Long barrel requires Black 106H.

Dies for Standard Lugs and Splices (OD58)

Connector Size			Color-Keyed Die Color	OD58	
Code Copper	Flex/24	AL		Die Cat No.	Die Code No.
8 AWG	37/24	10 AWG	RED	BY15C	21
6 AWG	61/24	8 AWG	BLUE	BY17C	24
4 AWG	91/24	6 AWG	GREY	BY19C	29
2 AWG	125/24		BROWN	BY21C	33
1AWG	150/24	4 AWG	GREEN	BY53C	37
1/0	225/24	2 AWG	PINK	BY23C	42
2/0	275/24		BLACK	BY28C	45
3/0	325/24		ORANGE	BY25C	50
4/0	450/24		PURPLE	BY27C	54
250 kcmil	550/24		YELLOW	BY31C	62
		1AWG	GOLD	BY24C	45
		1/0	TAN	BY25C	50
		2/0	OLIVE	BY31C	54
		3/0	RUBY	BY32C	60

Installing Dies

Dies for Color-Keyed® / Blackburn® Lugs and Splices

Connector Size			Color-Keyed Die Color	BPLT6BSCR/TBM6H		BPLT62BSCR		BPLT14BSCR/TBM14M/TBM14MC/13100A*/JB12B/TBM14RH/TBM14BSCR/BPLT14BSCR/TBM15BSCR/BPLT15BSCR		BPLT15BSCR/TBM15I***		21940 (40 Ton)	
Code Copper	Flex/24	AL/CU		Die Cat. No.	Die Code No.	Die Cat. No.	Die Code No.	Die Cat. No.	Die Code No.	Die Cat. No.	Die Code No.	Die Cat. No.	Die Code No.
8 AWG	37/24	10 AWG	RED	6TON21	21	TBM6221	21	15520	21	15520	21		21
6 AWG	61/24	8 AWG	BLUE	6TON24	24	TBM6224	24	15522	24	15522	24		24
4 AWG	91/24	6 AWG	GREY	6TON29	29	TBM6229	29	15527-CK	29	15527-CK	29	11401	29
2 AWG	125/24		BROWN	6TON33	33	TBM6233	33	15528	33	15528	33	11402	33
1 AWG	150/24	4 AWG	GREEN	6TON37	37	TBM6237	37	15513-CK	37	15513-CK	37	11333	37
1/0	225/24	2 AWG	PINK	6TON42	42	TBM6242	42	15508	42	15508	42	11334	42
2/0	275/24		BLACK	6TON45	45	TBM6245	45	15526	45	15526	45	11405	45
3/0	325/24		ORANGE	6TON50	50	TBM6250	50	15530	50	15530	50	11406	50
4/0	450/24		PURPLE	6TON54	54	TBM6254	54	15511	54	15511	54	11407	54
250 kcmil	550/24		YELLOW	6TON62	62	TBM6262	62	15510-CK	62	15510-CK	62	297-31669-7	62
		1 AWG	GOLD	6TON45	45	TBM6245	45	15526	45	15526	45	11405	45
		1/0	TAN	6TON50	50	TBM6250	50	15530	50	15530	50	11406	50
		2/0	OLIVE	6TON54	54	TBM6254	54	15511	54	15511	54	11407	54
		3/0	RUBY	6TON60	60	TBM6260	60	15532-CK	60	15532-CK	60	11408	60
300 kcmil		4/0	WHITE	6TON66	66H	TBM6266	66	15534	66H	15534	66H	11409	66
350 kcmil	775/24 (Short)	250 kcmil	RED	6TON71	71H	TBM6271	71	15514-CK	71H	15514-CK	71H	11363	71
400 kcmil	775/24 (Long)	300 kcmil	BLUE	6TON76	76H	TBM6276	76	15512	76H	15512	76H	11410	76
	925/24*		N/A	6TON80	80H	TBM6280	80	15517	80H	15517	80H		
500 kcmil		350 kcmil	BROWN	6TON87	87H	TBM6287	87	15506	87H	15506	87H	11423	87
600 kcmil	1100/24	400 kcmil	GREEN	6TON94	94H				94H	15611	94H	11364	94
			GREEN					15536-CK		15536-CK			
	1325/24**		PINK										
700 kcmil		500 kcmil	PINK		99H			15505	99H	15505	99H	11424	99
750 kcmil		650 kcmil	BLACK		106H			15515-CK	106H	15515-CK	106H	7450	106
800 kcmil			ORANGE		107H					15608	107H	11425	107
		700 kcmil	PURPLE		112H					15609	112H	11426	112
900 kcmil	1925/24	750 kcmil	YELLOW		115H			15504	115H	15504	115H	11308	115
1000 kcmil		800 kcmil	N/A							15603	125H	11416	125
		1000 kcmil	N/A							15602	140H	11418	140
										15601	150H	11419	150

* Standard barrel only. Long barrel requires Brown 87H.

** Standard barrel only. Long barrel requires Black 106H.

*** 15500 Series dies require 15500-TB adaptor. 15500F for full size die to fit TBM15I without adaptor.

Dies for Color-Keyed® C-Taps

Connector	Color code	TBM45S/TBM4BB Nest Color	TBM5/5S Die Cat. No.	TBM6/6S Die Cat. No.	TBM8/8S Die Cat. No.	BPLT62BSCR Die Cat. No.	TBM6H/BPLT6BSCR Die Cat. No.
54705	RED	Red Nest	13454	13475/13477	13461	TBM6221	6TON21
54710	BLUE	Blue Nest	13454	13475/13477	13461	TBM6224	6TON24
54715	GREY	Grey Nest	13454	13472/13476	13461	TBM6229	6TON29
54720	BROWN	Brown Nest	13454	13474/13477	13461	TBM6233	6TON33
54725	GREEN	Green Nest	13455	13474/13477	13462	TBM6237	6TON37
54730	PINK	-	13455	13475/13477	13462	TBM6242	6TON42
54735	BLACK	-	13455	13474/13477	13462	TBM6245	6TON45
54740	ORANGE	-	13455	13474/13477	13462	TBM6250	6TON50
54745	PURPLE	-	13456	13475/13477	13463	TBM6254	6TON54
54750	YELLOW	-	13456	13473/13478	13463	TBM6262	6TON62

Installing Dies

Dies for Large Color-Keyed® C-Taps

Connector	Color code	13642M/13400 Die Cat. No.	TBM12 Die Cat. No.	13100A/JB12B/TBM14M/TBM14RH/TBM14BSCR/BPLT14BSCR/BPLT15BSCR Die Cat. No.	TBM15/BPLT15BSCR/TBM15BSCR Die Cat. No.
54755	Blue	11744	TBM12D-4	15512	15512
54760	Brown	11746-TB	TBM12D-3	15506	15506
54765	Pink	11748	TBM12D-2	15505	15505
54770	Black	11749		15515-CK	15515-CK
54775	Yellow	11753	TBM12D-1	15504	15504
54780	White				
54785	N/A	-	-	-	15603
54790					

Dies for Aluminum H-Taps

Connector	Color code	TBM5/5S Die Cat. No.	TBM6/6S Die Cat. No.	TBM8/8S Die Cat. No.	TBM12 Die Cat. No.	TBM6H/BPLT6BSCR Die Cat. No.	13100A/JB12B/TBM14M/TBM14RH/TBM14BSCR/TBM14MC/BPLT14BSCR Die Cat. No.	TBM15/BPLT15BSCR/TBM15BSCR Die Cat. No.
63105	Orange	13455	13474/13477	13462	TBM12D-4	6TON50	15530	15530
63110	Green		13470		TBM12D-H	OJB	15501A	15501A
63118								
63125	Blue		13471			DBL	15502	15502
63140								
63148	Red							15612
63160	Black							15620
63169								
63170								
63180								

Dies for Copper H-Taps

Connector	Color code	TBM6H/BPLT6BSCR Die Cat. No.	13100A/JB12B/TBM14M/TBM14BSCR/TBM14RH/TBM14MC/BPLT14BSCR Die Cat. No.	TBM15BSCR/TBM15I/BPLT15BSCR Die Cat. No.
CHT814-10	Green	6TON37R	15CA37RCH	15CA37RCH
CHT214-9	Brown	6TON71R	15CA71RCH	15CA71RCH
CHT250214-8	Purple		15CA80RCH	15CA80RCH
CHT25014-7				
CHT2502-6	Brown			15612CH
CHT50010-5				
CHT50040-4	Yellow			15620CH
CHT75010-3				
CHT750350-2				
CHT75040-11	White			15620CHF
CHT750350-1F				

Dies for Medium-Voltage Connectors (15kV applications)

Die Code No.	Copper Conductor Size	TBM15I, TBM14M, TBM14RH, TBM14MC, BPLT14BSCR, 13100A		Round Gauging
		Adaptor** Type	Non-Adaptor Type	
29R	#4 AWG	15CA29R		.302/.290
33R	#2 AWG	15CA33R		.348/.336
37R	#1 AWG	15CA37R		.394/.382
42R	1/0 AWG	15CA42R		.432/.420
45R	2/0 AWG	15CA45R		.472/.460
49R	3/0 AWG	15CA49R		.522/.510
54R	4/0 AWG	15CA54R		.576/.564
60R	250 kcmil	15CA60R		.604/.592
66R	300 kcmil	15CA66R		.680/.668
71R	350 kcmil	15CA71R		.730/.718
76R	400 kcmil	15CA76R		.790/.778
87R	500 kcmil	15CA87R		.904/.892
94R	600 kcmil	15CA94R***		.958/.946
106R	750 kcmil	15CA106R***		1.042/1.030
125R	1000 kcmil	-	15C125R*	1.298/1.286

*To be used with TBM15I or TBM15BSCR tools.

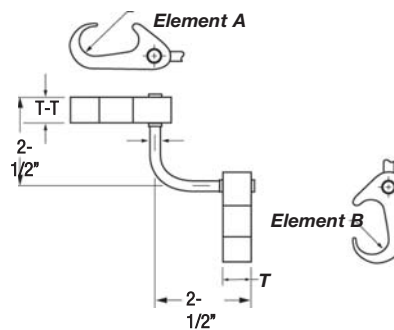
**Use 15500-TB adaptor with TBM15I tool.

***Not UL Listed for use in TBM14M/13100A tools.

Installing Dies

Dies for Figure 6 to 6 Ground Connectors

Connector	Cable Element A	To Cable Element B	To Ground Rod Element B	To Rebar Element B	Die Selection	
					Element A	Element B
54855L	#6 Sol. – #2 Str.	#6 Sol. – #2 Str.	–	–	15501A	15501A
54865L	#1 Str. – 250 kcmil		1/2" – 5/8" Rod	3/8" – 1/2" #3 – #4 Rebar	15G86R	15G86R
54875L	#2 Str. – 250 kcmil	#2 Str. – 250 kcmil	5/8" – 3/4" Rod	5/8" – 3/4" #3 – #4 Rebar	15G126R	15501A
54885L	250 kcmil – 500 kcmil	#6 Sol. – #2 Str.			15G126R	15G86R
54895L		#2 Str. – 250 kcmil			15G121R	15G121R
54900L						



Dies for Figure 6 to 6 Ground Connectors and Cross Reference

Cat. No.	Dies for T&B 14- and 15-Ton Tools		Burdyn Tools and dies					
	Element A *	Element B *	Y750		Y45		Y46	
			A *	B *	A *	B *	A *	B *
54900L	15G121R [3]	15G121R [3]	U1011 [3]	U1011 [3]	S1011 [3]	S1011 [3]	P1011 [3]	P1011 [3]
54895L	15G86R [1] [1]	15G126R [1]	PU998 or PU998 [1]	U997 [1]	S998 or PU998 [1]	U997 [1]	P998 [1]	U997 [1]
54885L	15501A [1]			U-0 or PU998 [1]	S998 [1]	U-0 [1]		U-0 [1]
54875L	15G86R [1]	15G86R [1]	U997 [1]	U997 [1]	U997 [1]	U997 [1]	U997 [1]	U997 [1]
54865L	15501A [1]			U-0 [1]		U-0 [1]		U-0 [1]
54855L		15501A [1]	U-0 [1]	U-0 [1]	U-0 [1]	U-0 [1]	U-0 [1]	U-0 [1]

Use 15500-TB adaptor for T&B 15-ton tool.

* = Number of crimps

Installing Dies

Dies for Figure 6 – Ground Connectors and Cross References

Cat. No.	Dies for T&B 14- and 15-Ton Tools *	Burdny Tools and dies		
		Y750 *	Y45 *	Y46 *
54900	15G121R [3]	U1011 [3]	S1011 [3]	P1011 [3]
54895	15G126R [1]	PU998 [1]	PU996 or S998 [1]	PU996 or S998 [1]
54890				
54885				
54875	15501A [1]	UO [1]	UO [1]	UO [1]
54865CK	15G86R [1]	997 [1]	U997 [1]	U997 [1]
54860				
54855				

Use 15500-TB adaptor for T&B 15-ton tool.

* = Number of crimps

Dies for Figure 8 – Ground Connectors and Cross References

Cat. No.	Cable Range	Dies for T&B 14- and 15-Ton Tools *	Burdny Tools and dies		
			Y750 *	Y45 *	Y46 *
GR1-300500*	300-500 kcmil	15G121R [2]	U1011 [2]	S1011 [2]	P1011 [2]
GR34-300500 & TP*			PU998 [1]	S1012 or PU998 [2]	
GR58-30050 & TP				PU998 [1]	
GR1-40250*	4/0 AWG-250 kcmil		U1011 [2]	S1011 S1012 or PU998 [2]	P1011 [2] or PU998 [1]
GR34-40250 & TP*			PU998 [1]	S1012 or PU998 [2]	
GR58-40250 & TP				PU998 [1]	
GR12-40250 & TP				PU998 [1]	
GR1-202*	2 AWG-2/0 AWG		U1011 [2]	S1011 S1012 or PU998 [2]	P1011 [2] or PU998 [1]
GR34-202 & TP			PU998 [1]	S1012 or PU998 [2]	
GR58-202 & TP				PU998 [1]	
GR12-202 & TP		PU998 [1]			

Optional ground rod knurling die for TBM 14- and 15-ton tools: 15508

Use 15500-TB adaptor for T&B 15-ton tool.

Optional ground rod knurling tool: 240-31565-94

*Use 15-ton tool only.

* = Number of crimps

Installing Dies

Dies for Figure 6 to 8 Ground Connectors and Cross Reference

Cat. No.	Dies for T&B 14- and 15-Ton Tools		Burdny Tools and dies						
	Element A *	Element B *	Y750		Y45		Y46		
			A *	B *	A *	B *	A *	B *	
54920LR100	15G121R [2]	15G126R [1]	U1011 [2] or PU998 [1]	U1011 [2] or PU998 [1]	S1011 [2] or PU998 [1]	U1011 [2] or PU998 [1]	P1011 [2] or PU998 [1]	U1011 [2] or PU998 [1]	
54910LR100		15G86R [1]		U997 [1]		U997 [1]		U997 [1]	
54900L34 & TP		15G126R [1]		U1011 [2] or PU998 [1]		U1011 [2] or PU998 [1]		U1011 [2] or PU998 [1]	U1011 [2] or PU998 [1]
54875L34 & TP		15G86R [1]		U997 [1]		U997 [1]		U997 [1]	U997 [1]
54895LR58 & TP		15G126R [1]		U1011 [2] or PU998 [1]		S998 [1] or PU998 [1]		S998 [1] or PU998 [1]	P998 [1] or PU998 [1]
54865L58 & TP		15G86R [1]				U997 [1]		U997 [1]	U997 [1]
54885LR12 & TP		15R126R [1]				S998 [1] or PU998 [1]		S998 [1] or PU998 [1]	P998 [1] or PU998 [1]
54855LR12 & TP		15G86R [0]				U997 [1]		U997 [1]	U997 [1]

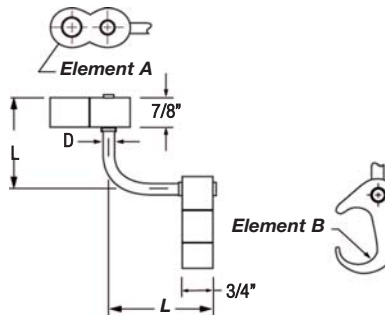
Optional ground rod knurling die for TBM 14- and 15-ton tools: 15508

Use 15500-TB adaptor for T&B 15-ton tool.

Optional ground rod knurling tool: 240-31565-94

*Use 15-ton tool only.

[*] = Number of crimps



Dies for E-Z-Ground® C-Taps and Cross Reference

Cat. No.	Dies for T&B 14- and 15-Ton Tools *	Burdny Tools and dies		
		Y750 *	Y45 *	Y46 *
CTP500500	15G121R [3]	U1011 [3]	S1011 [3]	P1011 [3]
CTP500250	15G121R [2]	U1011 [2]	S1011 [2]	P1011 [2]
CTP50020				
CTP250250	15G86R [1]	U997 [1]	U997 [1]	U997 [1]
CTP25020				
CTP2020	15501A [1]	U-0 [1]	U-0 [1]	U-0 [1]
CTP202				
CTP22**	HBKC [1]	U-C [1]	U-C [1]	U-C [1]

*Cat. No. 15500-TB adaptor required if using T&B 15-ton tool with 155XX series dies.

**#6 AWG branch must be doubled.

[*] = Number of crimps

Knurling Dies for 14- & 15-ton Tools*

Cat. No.	Description
15508	For 3/4" ground rods

Used to knurl ground rods in order to increase the pullout value of the compression connection by as much as 20%.



*Hand knurling Tool for all Ground Rods

240-31565-94