

Russellstoll®

Mechanically Interlocked Receptacles

Marine/Series Industrial – 20 and 30 Amp, 250VAC

Mechanically interlocked FS/FD receptacle outlets, available through 30 Amp 250VAC, provide added electrical safety when in use.

By design, the plug must be fully inserted into the interlocked receptacle before the switch or circuit breaker can be turned to the "ON" position; and the switch or circuit breaker must be in the "OFF" position before the plug can be withdrawn. This design ensures that when properly installed and operated, the circuit is made and broken by the switch or circuit breaker, not by the connectors.

As with all Russellstoll products, Mechanically Interlocked receptacles were designed with Safety, Durability and Performance in mind.



Safety

- Mechanical linkage prevents plug insertion or withdrawal unless switch is in "off" position.
- Circuit breaker protection available on many models.
- Ground contacts make first, break last.

Durability

- Constructed of copper-free cast aluminum (some types available in brass)
- Sturdy die cast and sand cast housings.

Performance

- Precision-made, self-aligning and self-wiping contacts.
- Receptacles provided with spring-actuated, self-closing flaps.
- Devices available in watertight and weathertight versions.
- Solderless screw terminals for convenient wiring.

Mechanically Interlocked Receptacles — Ordering Information

Mechanically Interlocked Receptacle with Switch

Rating:

20 Amp/600VAC

30 Amp/250VAC



Poles/Wires	Aluminum** Receptacle w/Box	FS/FD Plug	Brass Receptacle w/Box	FS/FD Plug	DuraGard Plug	Bushing I.D.
2P3W	F20493C	3750	1593LP	3750B	9P33U0	5/8"
3P4W	F20493A**	3760	1594LP	3760B	9P34U0	3/4"

**Flap cover brass version Suffix -B.

Mechanically Interlocked Receptacle with Circuit Breaker

Rating:

20 Amp/250VAC

30 Amp/250VAC



Poles/ Wires	Trip Rating	Aluminum Receptacle w/Box	FS/FD Plug	DuraGard Plug	Bushing I.D.
2P3W	20A	F33048B	3750	9P33U0	5/8"
	30A	F33048C	3760		
3P4W	20A	F33054B	3760	9P34U0	3/4"
	30A	F33054C	3760		
50A, 250V*					
3P4W	50A	C1479AH	3760	9P34U0*	7/8"

* Consult your Regional Sales Office for all 50A Trip applications (30A device, 50A trip) See also DuraGard Interlocks.

For brass versions, contact Technical Service.

For Panel Mounting or Cover Assemblies only, please contact your Regional Sales Office.

Russellstoll®

Mechanically Interlocked Receptacles

Specifications

Housings:

Cast Brass, Natural Finish.

Cast Aluminum, corrosion-resistant, copper-free alloy, epoxy powder coat finish.

Cable Bushings: Oil resistant neoprene strain-relief cable bushings regularly furnished with hole size as listed for plug. Other hole sizes available if specified on order.

Outlet Boxes: Unless otherwise specified, boxes are furnished blank.

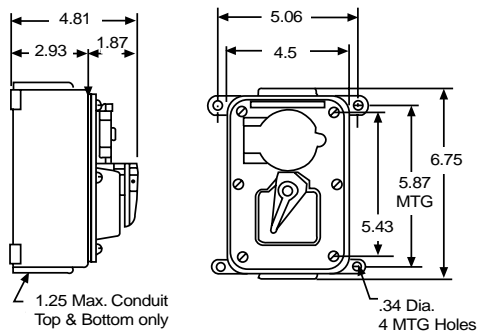
Receptacle Interlocked With Switch – Maximum conduit holes 1¾" top and bottom. Specify number of conduit holes required.

Receptacle Interlocked With Circuit Breaker – Maximum conduit holes 1¾" at locations V, W, X, Y and Z as per diagram. Specify number of conduit holes required, use symbols.

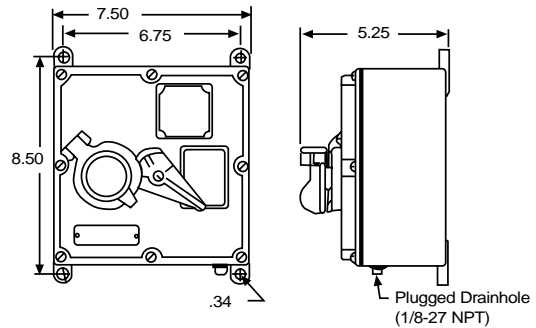
Dimensions

Interlocked with Switch Surface Mount

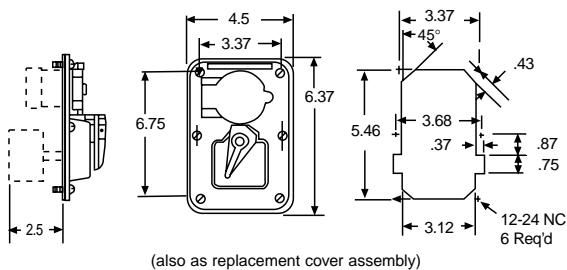
Cat. nos. F18196B&C and F20493A&B



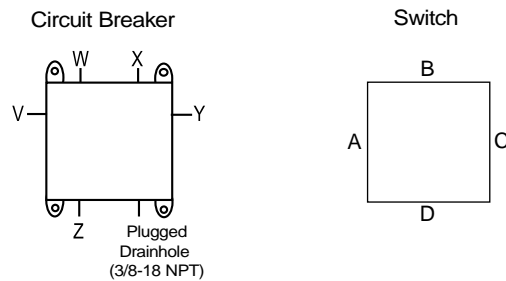
Interlocked with Circuit Breaker



Machine Panel Mount

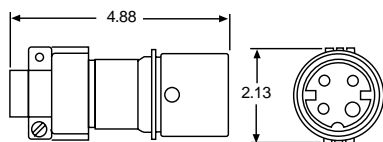


Floor Extension Mount

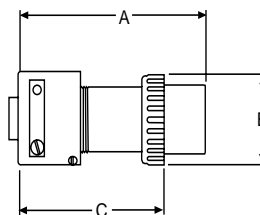


Standard Plug

20/30 Amp FS/FD



30/50 Amp DuraGard



Amps		A	B	C
30 Amp	Inches	5.38	2.38	4.16
	mm	136.6	60.5	105.7
50 Amp	Inches	5.75	2.38	4.16
	mm	146.1	60.5	105.7