

Russellstoll®

FS/FD™ 10-30A Metallic Connections

Metallic Plugs, Connectors, Receptacles and Reverse Service Female Plugs/Male Inlets.
10-30A, Maximum 600VAC/250VDC

For Plugs and Connectors – Accessories

Combination Gland Nut and Cable Clamp



Provides extra clamping protection in heavy industrial applications. Relieves terminals and rubber gland of all cable strain.

Plug or Connector Size	Cast Aluminum Cat. No.	Cast Brass Cat. No.	Max. Cable Dia.
Ex: 3913 10-20 Amp	3905	3905B	.62"
Ex: 3934 20/30 Amp	3906	3906B	1.12"

Material – cast aluminum, corrosion-resistant, copper-free alloy, cast brass, epoxy powder coat finish.

Conduit Adapters



Adapter tapped with NPT thread to accommodate armored and nonmetallic cable or flexible conduit.

Plug or Connector Size	Cast Aluminum Cat. No.	Cast Brass Cat. No.	Tapped NPT
Ex: 3913 10 -20 Amp	FSA11	FSA11B	½"
	FSA12	FSA12B	¾"
Ex: 3934 20/30 Amp	FSA21	FSA21B	½"
	FSA22	FSA22B	¾"
	FSA23	FSA23B	1"

Type FSA furnished complete with gasket.

Cable Bushings

Hole Diameter for Cable (inches)	Type 2 10 Amp	Type 3 20 and 30 Amp
0.313	SG05	
0.375	SG1	JG31
0.438	SG15	
0.500	SG2	JG32
0.531	SG2A	
0.563	SG25	JG325
0.594	SG2B	
0.625	SG3	JG33
0.688	SG3A	
0.750	SG4	JG34
0.875		JG35
1.000		JG36**
1.125		JG361**

**Special for large O.D. cable.

When standard plugs or connectors are required to be furnished with one or more of the above accessories, add the suffix and catalogue number of the accessory selected to the catalogue number of the plug or connector. Complete list price is the total of the list price of the device plus the list price of the accessory.

EXAMPLES – Using Catalogue No. 3934:

Combo. Gland Nut and Cable Clamp	3934-3906
Adapter at ¾"	3934-FSA22
½" Cable Bushing	3934-JG323



Type 2
Cable Bushing



Type 3
Cable Bushing

Material – oil resistant neoprene.

FS/FD™ 10-30A Metallic Connections — Accessories

Metallic Plugs, Connectors, Receptacles and Reverse Service Female Plugs/Male Inlets.
10-30A, Maximum 600VAC/250VDC

Conduit Boxes

Type FS (shallow) and Type FD (deep)

Aluminum boxes have 6-32 cover mounting holes tapped to accommodate all FS and FD cover assemblies. Brass boxes

have 10-24 cover mounting holes tapped to accommodate all FS and FD cover assemblies.



Single Gang



Two Gang



DSFD

No. of Gangs	Type	Cast Aluminum	Cast Brass	Overall Dimensions	For Use With:
Single	FS	3701A	3721	4.12" x 2.62" x 2.31"	15-20A
	FD	3711A	3731	4.12" x 2.62" x 2.94"	30A
	DSFD	3781A	3782	4.12" x 3.62" x 4.12"	30A
Two	FS	3702A	3722	4.12" x 5.5" x 2.25"	15-20A
	FD	3712A	3732	4.12" x 5.62" x 2.87"	30A

When type FD devices (20A) are to be mounted in boxes, type FD boxes should be used. FS boxes will not accommodate FD devices. (30A or 3P4W)

Mounting – All the above boxes are for surface mounting. For flush mounting see page 92.

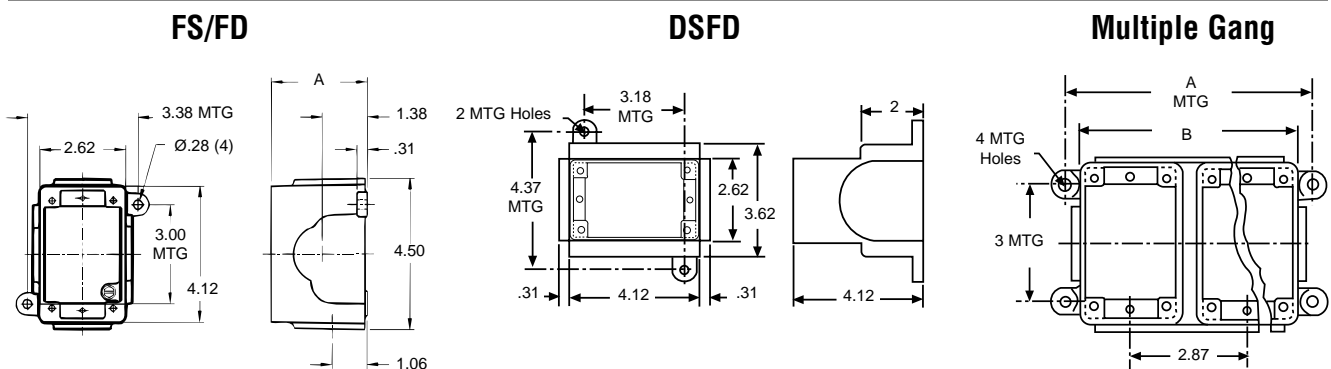
Boxes – Cast brass, natural finish. Cast aluminum, corrosion resistant copper-free alloy, epoxy powder coat finish.

Cast iron available on special order – consult your Regional Sales Office.

Outlet Boxes – Unless otherwise specified, furnished with one .75" threaded conduit hole per gang, top or bottom. Additional conduit holes charged extra – see price list. Specify size and location.

Maximum Conduit – FS and FD: 1", one per gang top and bottom and one each side. DSFD: one 1.5" or two .5" top and bottom.

Dimensions



Type	A
FS	2.31
FD	2.94

Multiple Gang Dimensions

A		B	
FS	6.50"	FS	5.50"
FD	6.50"	FD	5.62"

RUSSELLSTOLL® DURAGARD®/FS/FD

Russellstoll®

FS/FD™ 10-30A Metallic Connections — Accessories

Metallic Plugs, Connectors, Receptacles and Reverse Service Female Plugs/Male Inlets.
10-30A, Maximum 600VAC/250VDC

Adapters and covers to fit boxes on page 125.

Adapter Flush Frames

For mounting to standard wall outlet boxes (2 screw mount).

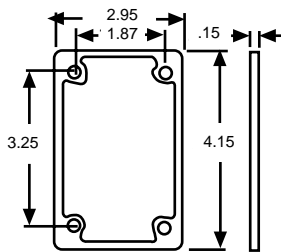
No. of Gangs	Cast Aluminum	Cast Brass	Overall Dimensions
1	3671A	3681	5" x 3.5"
2	3672A	3682	5" x 6.5"



Blank Cover

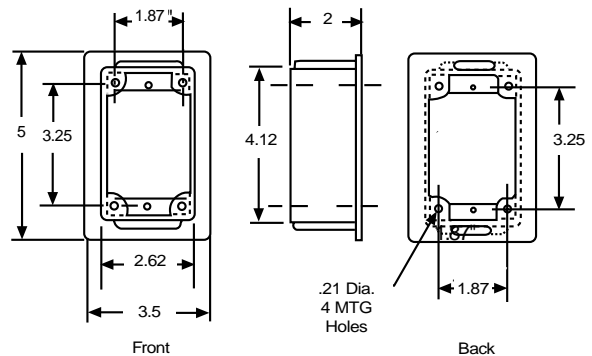
Covers Standard FS/FD box openings.

Cast Aluminum	3677A
Cast Brass	3687



Flush Wall Mounting Extension

Cast Aluminum	3679A
Cast Brass	3679B



FS/FD™ 10-30A Metallic Connections — Accessories

Metallic Plugs, Connectors, Receptacles and Reverse Service Female Plugs/Male Inlets.
10-30A, Maximum 600VAC/250VDC

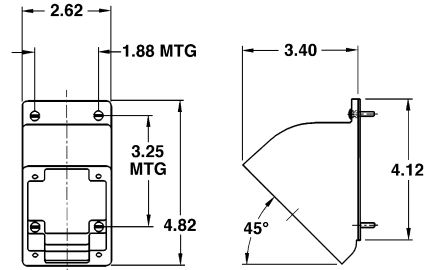
45° Angle Adapter*

Mounts to any FS/FD box.

Cast Aluminum	3678A
Cast Brass	3678B

* Furnished complete with gasket and screws.

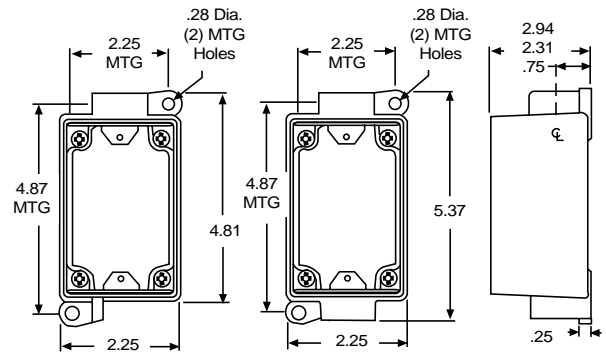
Materials: Cast aluminum, corrosion-resistant, copper-free alloy, epoxy powder coat finish.
Cast brass, natural finish.



Type FSWS and FDWS (with mounting shelf for box-mounted devices)

Aluminum Die-Cast Boxes with cover mounting holes tapped for 6-32 screws to accommodate all FS and FD cover assemblies.

Cat. No.	Conduit Entries	
	Top	Bottom
FSWS-62	¾"	NA
FDWS-62	¾"	NA
FDWS-622	¾"	¾"
FDWS-63	1"	NA
FDWS-633	1"	1"



Boxes – Aluminum die-cast, corrosion-resistant, copper-free alloy, epoxy powder coat finish.

Threaded conduit holes – standard as listed.

Mounting – all of the above boxes are for surface mounting.