

# Russellstoll®

## UniGard™ IEC 309 Safety Interlock

Integral UL 489 22kAIC  
Circuit Breaker OR  
Switched Interlocked  
Receptacle



Top or Side  
Conduit Entry

Gasketed UL Type-4X  
Construction

Auxiliary  
Switch  
and/or  
Trip Frame  
Ratings  
Available

Bottom Conduit Entry –  
Optional 30/60A  
Location

5 Mounting  
Points for  
3 or 4 Tab  
Mounting

Adjustable  
Mounting Tabs  
fit any existing  
mounting!

External  
DIN Rail  
Hard-Points



Sturdy Bright Red EZ  
Handle (Vertical - on)  
Lock-off & Lock-on  
Positions

UL94 V0-5VA  
Flame Rated  
Housing &  
External  
Components

Voltage &  
Polarization  
Labeled and  
Colour Coded

Accepts UniGard™  
Plugs and all  
Approved  
IEC 309 lines

IP67 Colour Coded  
Flap Screw Cap  
IP44 splashproof  
also available

# Russellstoll®

## UniGard™ IEC 309 Safety Interlock



### New IEC 309 Safety Interlock – The UniGard™ Difference

#### The Only True Circuit Breaker Interlocked IEC 309 Receptacle – (Outlet)

- Circuit breaker integrated interlock mechanism.
- UL 489 listed 22kAIC protection.
- Alternate trip ratings available.
- Auxiliary switch option.

OR

#### Switched-only Version



- Rugged UL listed switch.
- Proven performance components.
- Available up to 600 VAC, 4p5w + auxiliary contacts capable.

#### Watertight—IP67

- “W” suffixes (UL Type 4X construction).
- Rugged thermoplastic housings resist impact or abuse and provide excellent corrosion resistance.
- Rugged V0-5VA Flameproof Housings.
- Ideal for outdoor, wet, marine and washdown applications.
- Unique industry-first circuit breaker interlock.
- US: 20, 30, 60, &100 Amp sizes.
- International: 16, 32, 63, 125 Amp sizes.

#### Splashproof—IP44

- “S” suffixes (NEMA 3R construction).
- Suitable for indoor use where splashing liquids and other contaminants may interfere with electrical connections.
- Ideal for most heavy commercial applications and light industrial applications.
- US 20 & 30 & 60A ratings.
- International 16, 32 and 63A ratings.

#### Protection and Safety in Power Delivery



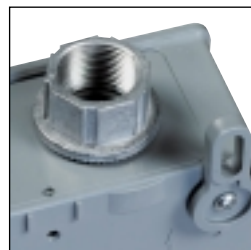
- Red vertical **ON** indication.
- Lock on **and** Lock off positions.
- Branch circuit load and operation protection, or switched-only version (shown).

#### Mount It Anywhere



- Swivel 3 or 4 point tab variable footprint for flexible mounting.
- Fits in web of 8" I-Beams.

#### Wire It Up, Sideways or Down



- Top, side, and bottom entry.
- Industry standard entry sizes.

Top & Bottom	Top	Side Entry
20/30 Amp	60/100 Amp	All



E211951  
E47955



# Russellstoll®

## UniGard™ IEC 309 Safety Interlock

### New Russellstoll® UniGard™ IEC 309 Circuit Breaker Interlocked Receptacle

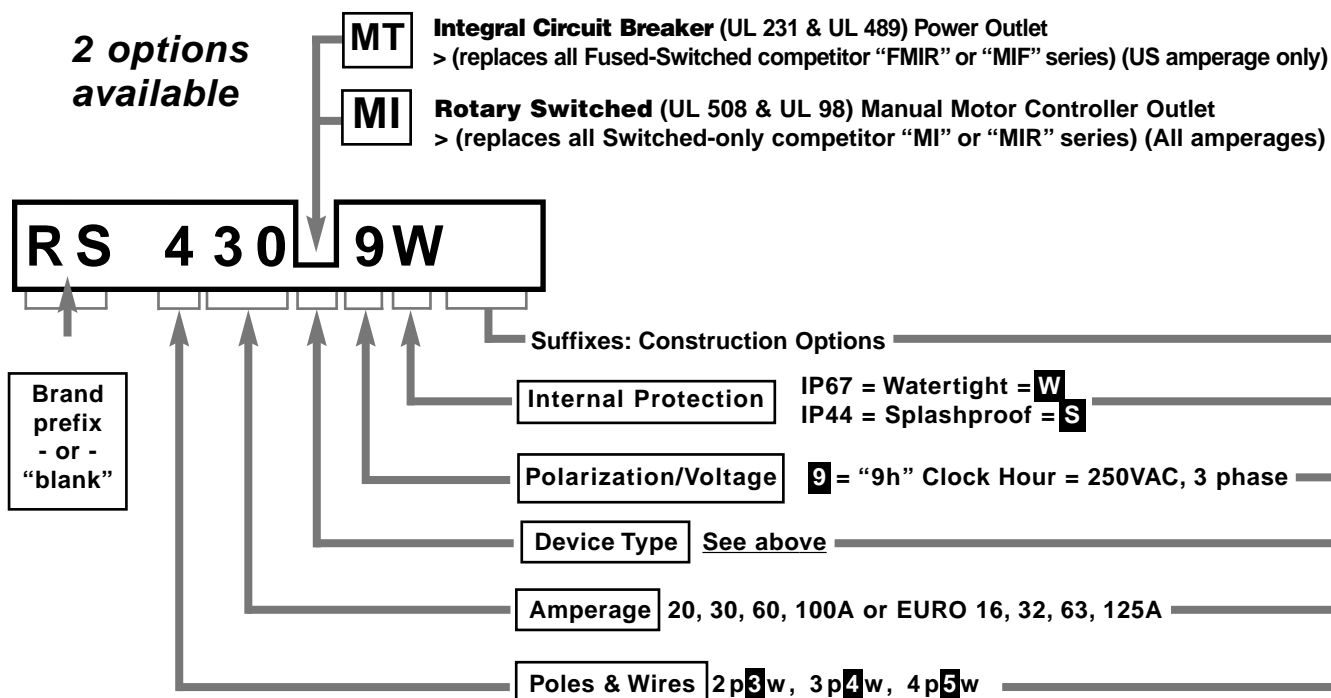
16/20A, 30/32A, 60/63A and 100/125A International and U.S. Ratings

IN ALL STANDARD VOLTAGE POLARIZATIONS:

Range	Colour Code	Usage (N. Amer., R.O.W. Euro)	2p3w	3p4w	4p5w
110-130V	Yellow	N. Amer. / Euro.	4h	4h	-
208-250V	Blue	N. Amer. / Euro.	6h	9h	9h
380-415V	Red	Euro.	9h	6h/3h (spec)	6h
500V +	Black	N. Amer. / Euro.	-	5h	5h
277/480V	Red	N. Amer. (black-Euro.)	7h	7h	7h
277V	Grey	N. Amer.	5h	-	-
125/250V	Orange	N. Amer.	-	12h	-
250/440V	Red	Latin America / N. Amer.	-	11h	11h/3h
to 600V, to 400Hz	Green	N. Amer. / Euro.	2h	2h	2h

Contact T&B for other special polarizations.

### Specifications for Any New or Replacement Project



### Specifications: IEC 309 Interlocked Receptacles – North American Standards

#### Performance - Electrical

Dielectric Voltage Withstand	3,000 Volts
Maximum Working Voltage	480 Volts RMS (circuit breaker version)
Voltage	600 Volts RMS (switch version)
Current Interrupting	Certified for current interrupting at full rated current and voltage.
Short-circuit Current Rating	10,000 RMS symmetrical amperes
Operations	Mechanical: 10,000 cycles Electrical: 6,000 cycles
HP Ratings (switch version)	Complies with NEC 430-151 ratings.
Circuit Breaker UL Listed Interrupting Rating	22,000 AIC

#### Performance - Mechanical

Cold (-35°C) Impact Resistance	In accordance with UL 746C
Wiring Accommodations	Suitable for metallic conduit. Conduit entry locations at enclosure top and bottom (60A & 100A top only).
Terminal Identification	In accordance with UL, CSA and IEC 309 conventions.
Product Identification	Identification, ratings and colour-code in accordance with UL, CSA and IEC 309 requirements.
Lockout/Tagout	ON and OFF lockout/tagout capability at switch handle. Complies with OSHA Reg. 29CFR 1910.147
Mounting	External adjustable feet.

#### Performance - Environmental

Moisture Resistance	Screw cap version: UL type 4X, IP67 Flap cap version: IP44
Flammability	UL94-5VA & V0 classifications
Operating Temperatures	Maximum Continuous: 60°C (140°F) Minimum Continuous: -40°C (-40°F)
UV Resistance	UV stabilized material
Chemicals	Resists most standard industrial hydrocarbons, acids, bases and solvents.

#### Materials

Enclosure (all exterior components)	UL94-5VA/V0, UV stabilized, impact modified Valox.
Contact Carrier	Molded arc resistant UL94-V0 thermoplastic.
Gaskets	Neoprene or EPDM
Contacts (sleeves)	Nickel plated brass
Hardware (screws & springs)	Steel with zinc-plated blue chromate or nickel plating.

#### Approvals & Compliances

UL 508 & UL 98 (switch version), UL 231 & UL 489 (circuit breaker version), UL 1682

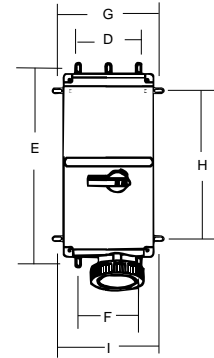
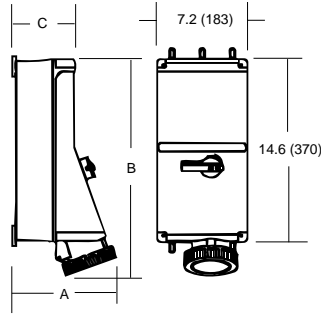
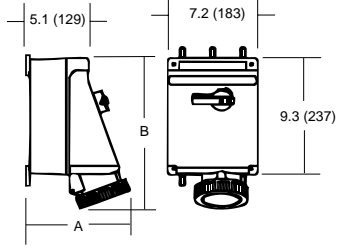
CSA C22.2 No. 14, 182.1

IEC 309-1, -2



# Russellstoll®

## UniGard™ IEC 309 Safety Interlock



Overall Dimensions (inches-mm)						Overall Dimensions (inches-mm)					
16/20A, 30/32A & 60/63A SWITCH VERSIONS						30A & 60A BREAKER AND 100A/125A SWITCH & BREAKER VERSIONS					
	16/20A		30/32A		60/63A		30A		60A		100/125A
DIM.	IP44	IP67	IP44	IP67	IP44	IP67	IP44	IP67	IP44	IP67	IP67
A	7.5 - 140	8.0 - 203	7.7 - 196	8.2 - 208	8.0 - 203	8.5 - 216	7.7 - 196	8.2 - 208	8.0 - 203	8.5 - 216	9.8 - 249
B	10.8 - 273	10.9 - 277	11.2 - 284	11.4 - 289	11.9 - 302	12.2 - 309	16.4 - 417	16.5 - 418	17.0 - 432	17.4 - 443	17.7 - 450
C	5.1 - 129	5.1 - 129	5.1 - 129	5.1 - 129	5.1 - 129	5.1 - 129	5.1 - 129	5.1 - 129	5.1 - 129	5.1 - 129	5.6 - 149

Mounting Dimension (inches-mm)			
DIM.	16/20A 30/32A 60/63A SWITCH	30A 60A BREAKER	100/125A SWITCH 100A BREAKER
D	5.5 - 140	5.5 - 140	5.5 - 140
E	10.0 - 254	15.2 - 387	15.2 - 387
F	5.5 - 140	5.5 - 140	6.0 - 152
G	8.0 - 203	8.0 - 203	8.0 - 203
H	7.5 - 191	12.8 - 324	12.8 - 324
I	8.0 - 203	8.0 - 203	8.5 - 215

3-pt. and 4-pt. mounting positions available. 100A versions have 4-pt. mounting position only.  
Adjustable mounting feet, vertical or horizontal.  
Slotted through holes for easier alignment.