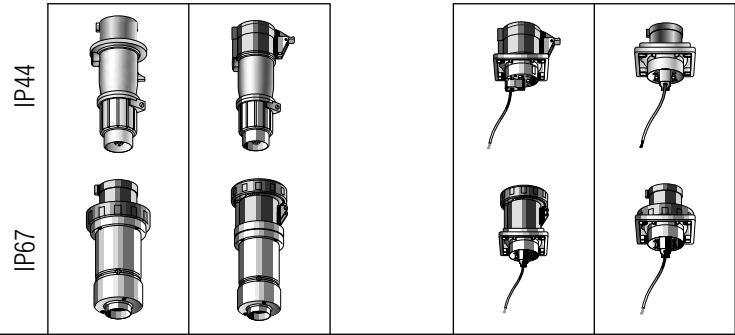


16 Amp



	Poles & Wires	Configuration			Voltage/ Colour Coding	Plug	Connector	Cable O.D. Range Inches	Receptacle*	Inlet*
		Receptacle/ Connector	Plug/ Inlet	Clock Hour						
16 Amp IP44	2P3W			4h	110V	RS316P4S	RS316C4S	.57-.71	RS316R4S	RS316B4S
	2P3W			6h	250V	RS316P6S	RS316C6S	.57-.71	RS316R6S	RS316B6S
	3P4W			6h	380-415V	RS416P6S	RS416C6S	.57-.71	RS416R6S	RS416B6S
	4P5W			6h	220-240/ 380-415V	RS516P6S	RS516C6S	.57-.71	RS516R6S	RS516B6S

16 Amp IP67	2P3W			4h	110V	RS316R4W	RS316P4W	.57-.71	RS316C4W	RS316B4W
	2P3W			6h	240V	RS316R6W	RS316P6W	.57-.71	RS316C6W	RS316B6W
	3P4W			6h	380-415V	RS416R6W	RS416P6W	.57-.71	RS416C6W	—
	4P5W			6h	220/380V 240/415V	RS516R6W	RS516P6W	.57-.71	RS516C6W	RS516B6W

*See Page 99 for back box/mounting options.

■ Red is for Euro.

■ Blue is for devices supplied in North America.

Colour difference does not affect mating.

Contact your Regional Sales Office for inlet/receptacle mounting components.

UL Listing E2630, E47956

UL Classification E205590

Liquidtight Conduit Adapter Kit

2LTK4C50 16A 3 & 4W 1/2" NPT

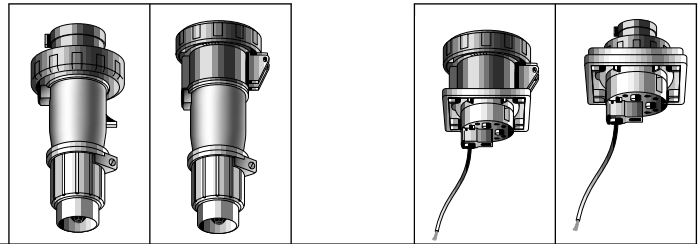
3LTK4C75 16A 5W 3/4" NPT

UniGard™ Watertight and Splashproof Pin and Sleeve Devices IP67 and IP44

20 Amp



IP67 Shown



	Poles & Wires	Configuration			Voltage/ Colour Coding	Plug	Connector	Cable O. D. Range Inches	Receptacle*	Inlet*
		Receptacle/ Connector	Plug/ Inlet	Clock Hour						
WATERTIGHT IP67	2P3W			4h	125	RS320P4W	RS320C4W	.57-.71	RS320R4W	RS320B4W
	2P3W			6h	250	RS320P6W	RS320C6W	.57-.71	RS320R6W	RS320B6W
	2P3W			5h	277	RS320P5W	RS320C5W	.57-.71	RS320R5W	RS320B5W
	2P3W			7h	480	RS320P7W	RS320C7W	.57-.71	RS320R7W	RS320B7W
	3P4W			12h	125/250	RS420P12W	RS420C12W	.57-.71	RS420R12W	RS420B12W
	3P4W			9h	3Ø250	RS420P9W	RS420C9W	.57-.71	RS420R9W	RS420B9W
	3P4W			7h	3Ø480	RS420P7W	RS420C7W	.57-.71	RS420R7W	RS420B7W
	3P4W			5h	3Ø600	RS420P5W	RS420C5W	.57-.71	RS420R5W	RS420B5W
	4P5W			9h	3ØY120/208	RS520P9W	RS520C9W	.57-.71	RS520R9W	RS520B9W
	4P5W			7h	3ØY277/480	RS520P7W	RS520C7W	.57-.71	RS520R7W	RS520B7W
	4P5W			5h	3ØY347/600	RS520P5W	RS520C5W	.57-.71	RS520R5W	RS520B5W

IP44 Construction: No screw collars on male devices; female devices have flap covers only.

SPLASHPROOF IP44	Poles & Wires	Receptacle/ Connector	Plug/ Inlet	Clock Hour	Voltage/ Colour Coding	Plug	Connector	Cable O. D. Range Inches	Receptacle*	Inlet*
	2P3W			4h	125	RS320P4S	RS320C4S	.57-.71	RS320R4S	RS320B4S
	2P3W			6h	250	RS320P6S	RS320C6S	.57-.71	RS320R6S	RS320B6S
	2P3W			5h	277	RS320P5S	RS320C5S	.57-.71	RS320R5S	RS320B5S
	3P4W			12h	125/250	RS420P12S	RS420C12S	.57-.71	RS420R12S	RS420B12S
	3P4W			9h	3ph.250	RS420P9S	RS420C9S	.57-.71	RS420R9S	RS420B9S
4P5W			9h	3ph.120/208	RS520P9S	RS520C9S	.57-.71	RS520R9S	RS520B9S	

*See Page 99 for back box/mounting options.

UL Listing E2630, E47956
UL Classification E205590

Liquidtight Conduit Adapter Kit

2LTK4C50 20A 3 & 4W 1/2" NPT

3LTK4C75 20A 5W 3/4" NPT

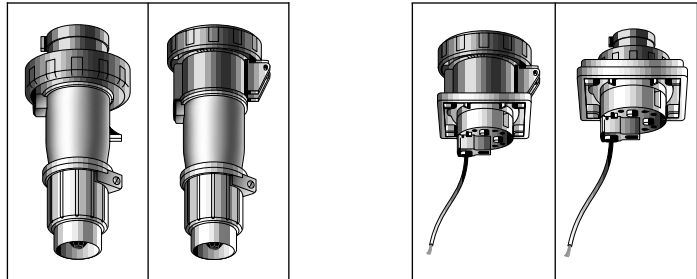
Russellstoll®

UniGard™ Watertight and Splashproof Pin and Sleeve Devices IP67 and IP44

30 Amp



IP67 Shown



	Poles & Wires	Configuration			Voltage/ Colour Coding	Plug	Connector	Cable O.D. Range Inches	Receptacle*	Inlet*
		Receptacle/ Connector	Plug/ Inlet	Clock Hour						
WATERTIGHT IP67	2P3W			4h	125	RS330P4W	RS330C4W	.675-.91	RS330R4W	RS330B4W
	2P3W			6h	250	RS330P6W	RS330C6W	.675-.91	RS330R6W	RS330B6W
	2P3W			7h	480	RS330P7W	RS330C7W	.675-.91	RS330R7W	RS330B7W
	3P4W			12h	125/250	RS430P12W	RS430C12W	.675-.91	RS430R12W	RS430B12W
	3P4W			9h	3Ø250	RS430P9W	RS430C9W	.675-.91	RS430R9W	RS430B9W
	3P4W			7h	3Ø480	RS430P7W	RS430C7W	.675-.91	RS430R7W	RS430B7W
	3P4W			5h	3Ø600	RS430P5W	RS430C5W	.675-.91	RS430R5W	RS430B5W
	4P5W			9h	3ØY120/208	RS530P9W	RS530C9W	.675-.91	RS530R9W	RS530B9W
	4P5W			7h	3ØY277/480	RS530P7W	RS530C7W	.675-.91	RS530R7W	RS530B7W
	4P5W			5h	3ØY347/600	RS530P5W	RS530C5W	.675-.91	RS530R5W	RS530B5W

IP44 Construction: No screw collars on male devices; female devices have flap covers only.

SPLASHPROOF IP44	2P3W			4h	125	RS330P4S	RS330C4S	.675-.91	RS330R4S	RS330B4S
	2P3W			6h	250	RS330P6S	RS330C6S	.675-.91	RS330R6S	RS330B6S
	2P3W			5h	277	RS330P5S	RS330C5S	.675-.91	RS330R5S	RS330B5S
	3P4W			12h	125/250	RS430P12S	RS430C12S	.675-.91	RS430R12S	RS430B12S
	3P4W			9h	3ph.250	RS430P9S	RS430C9S	.675-.91	RS430R9S	RS430B9S
	4P5W			9h	3ph.120/208	RS530P9S	RS530C9S	.675-.91	RS530R9S	RS530B9S

*See Page 99 for back box/mounting options.

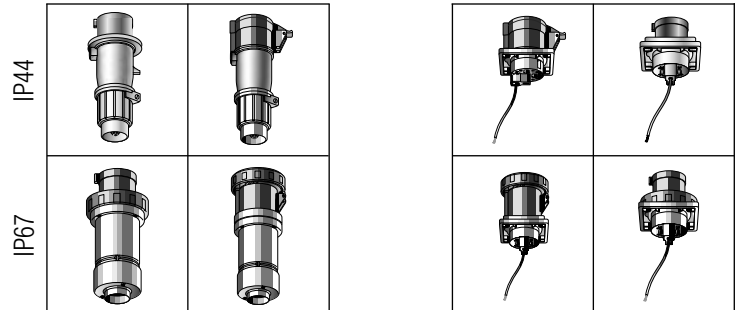
UL Listing E2630, E47956
UL Classification E205590

Liquidtight Conduit Adapter Kit

3LTK4C50	30A 3 & 4W ½" NPT
3LTK4C10	30A 3 & 4W 1" NPT
3LTK4C75	30A 3 & 4W ¾" NPT
3LTK5C75	30A 5W ¾" NPT
3LTK5C10	30A 5W 1" NPT

UniGard™ Watertight and Splashproof Pin and Sleeve Devices IP67 and IP44

32 Amp



	Poles & Wires	Configuration			Voltage/ Colour Coding	Plug	Connector	Cable O.D. Range Inches	Receptacle*	Inlet*
		Receptacle/ Connector	Plug/ Inlet	Clock Hour						
32 Amp IP44	2P3W			4h	110V	RS332P4S	RS332C4S	.675-.91	RS332R4S	RS332B4S
	2P3W			6h	250V	RS332P6S	RS332C6S	.675-.91	RS332R6S	RS332B6S
	3P4W			6h	380-415V	RS432P6S	RS432C6S	.675-.91	RS432R6S	RS432B6S
	3P4W			3h	380-440V	Special Application – Contact your Regional Sales Office				
	4P5W			6h	220-240/380-415V	RS532P6S	RS532C6S	.675-.91	RS532R6S	RS532B6S

32 Amp IP67	2P3W			4h	110V	RS332P4W	RS332C4W	.675-.91	RS332R4W	RS332B4W
	2P3W			6h	250V	RS332P6W	RS332C6W	.675-.91	RS332R6W	RS332B6W
	3P4W			6h	380-415V	RS432P6W	RS432C6W	.675-.91	RS432R6W	RS432B6W
	3P4W			3h	380-440V	Special Application – Contact your Regional Sales Office				
	4P5W			6h	220-240/380-415V	RS532P6W	RS532C6W	.675-.91	RS532R6W	RS532B6W

*See Page 99 for back box/mounting options.

■ Red is for Euro.

■ Blue is for devices supplied in North America.

Colour difference does not affect mating.

Contact your Regional Sales Office for inlet/receptacle mounting components.

UL Listing E2630, E47956

UL Classification E205590

Liquidtight Conduit Adapter Kit

3LTK4C50 32A 3 & 4W ½" NPT

3LTK4C10 32A 3 & 4W 1" NPT

3LTK4C75 32A 3 & 4W ¾" NPT

3LTK5C75 32A 5W ¾" NPT

3LTK5C10 32A 5W 1" NPT