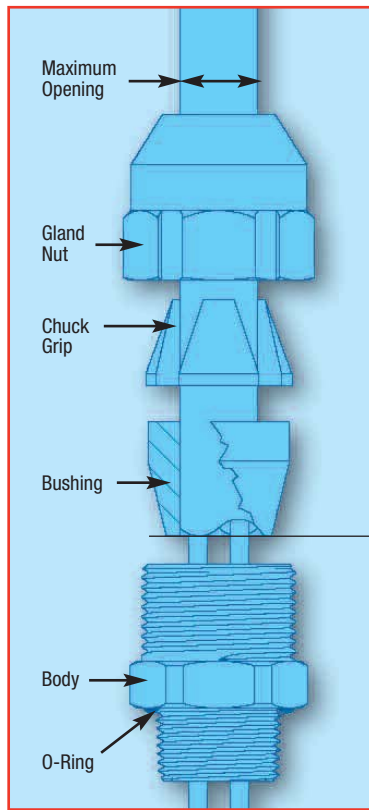


TRAY CABLE / PORTABLE CORD

Silver Grip® – TCF Series



Silver GRIP®

TCF® Series — Tray / Cord Fitting

Ordering Information

Catalogue Number	Hub Size NPT	Throat Diameter (in.)	Minimum Cable Dia. (in.)	Maximum Opening (in.)
TCF050-27AL	1/2	0.330	0.150	0.270
TCF050-40AL	1/2	0.540	0.250	0.400
TCF050-54AL	1/2	0.540	0.400	0.540
TCF050-67AL	1/2	0.540*	0.540	0.670
TCF050-78AL	1/2	0.540*	0.660	0.780
TCF075-40AL	3/4	0.540	0.250	0.400
TCF075-54AL	3/4	0.540	0.400	0.540
TCF075-67AL	3/4	0.780	0.540	0.670
TCF075-78AL	3/4	0.780	0.660	0.780
TCF075-88AL	3/4	0.765*	0.770	0.880
TCF100-78AL	1	0.980	0.660	0.780
TCF100-88AL	1	0.980	0.770	0.880
TCF100-100AL	1	0.980*	0.870	1.000
TCF100-109AL	1	0.980	0.940	1.090
TCF125-109AL	1-1/4	1.255	0.890	1.090
TCF125-128AL	1-1/4	1.255*	1.080	1.280
TCF125-147AL	1-1/4	1.255*	1.270	1.470
TCF150-115AL	1-1/2	1.470	0.890	1.150
TCF150-140AL	1-1/2	1.470	1.140	1.400
TCF150-165AL	1-1/2	1.470*	1.390	1.650
TCF200-153AL	2	1.896	1.190	1.530
TCF200-186AL	2	1.896	1.520	1.860
TCF200-219AL	2	2.062*	1.850	2.190
TCF250-252AL	2-1/2	2.466*	2.120	2.520
TCF300-278AL	3	2.780	2.380	2.780
TCF300-304AL	3	3.050	2.640	3.040
TCF300-330AL	3	3.068*	2.900	3.300

* When cord will not fit through body, strip cord jacket and trim fillers if required. Insert cable ensuring the outer jacket reaches the end of the bushing as shown. Tighten gland nut onto body.

For stainless steel (316), replace AL for SS6 (up to 1" only)

Applications

Tray Cable

Complies with IEC requirements for Class I, Zone 2 locations when used with enclosures containing no arcing or sparking devices. For enclosures with arcing or sparking devices, TCF® fittings must be used in combination with a certified Class I hazardous location sealing fitting.

Portable Cord

Complies with IEC requirements for Class I, Zone 1 locations when used with enclosures containing no arcing or sparking devices. For enclosures with arcing or sparking devices, TCF® fittings must be used in combination with a certified Class I hazardous location sealing fitting.

- File Number LR4484, Certificate Number 1388229
- CSA Class 4418-05 Fittings for Hazardous Locations Class I, Zone 1 Ex e II, IP66; Type 4/4X, (CSA)
- CSA_{us} Class 4418-85 Fittings for Hazardous Locations Class I, Zone 1, A Ex e II, IP66; Type 4/4X, (CSAus)



N.B.: Tray cable is not suitable for use in Zone 1 locations.

Portable cord can be used in Zone 1 applications only when installed on portable equipment.

Utilisation

- For use with unarmored cable Types suitable for use in Class I, Zone i (e.g.) Extra Hard Usage Cord)
- Series TCF Cable Glands, when used with Tray Cables are suitable to be installed in Class I, Zone 2/Div. 2 Classified Hazardous Locations Areas according to CEC/NEC Wiring Method, or subject to Local Inspection Authority having jurisdiction.

