

T&B Conduit Fittings

Flexible Cord and Cable Fittings



How to Select T&B Flexible Cord Fittings

Step 1.

Determine Diameter Range in chart by using cord size and type or by measuring the diameter of your cord.

Step 2.

Determine catalogue number by choosing the hub size and type (straight or 90°) for the diameter range determined by step 1.

This chart can be used as a guide for selecting the proper fitting for the U.L. Listed and CSA Certified cords. Cords vary in sizes and cord diameter should be measured whenever possible.

Cat. No.		Hub Size	Diameter Range	SV, SVO, SVT, SVTO		
Straight	90°			Cord Sizes		
2671	2680	3/8	.125-.275	18-2, 18-3		
Cat. No.		Hub Size	Diameter Range	S, SO, ST, STO		SJO, SJT, SJTO, SJ
Straight	90°			Cord Sizes		
2920NM	4960NM	1/2	.125-.375	18-2, 18-3*		18-2, 18-3, 18-4, 16-2,
2930NM	4970NM	3/4				16-3, 16-4*, 14-2, 14-3*
2921NM	4961NM	1/2				18-3, 18-4, 18-5, 18-6, 18-7*
2931NM	4971NM	3/4	.310-.560	18-3, 18-4*, 18-5, 16-2*		16-3, 16-4, 16-5, 16-6*, 14-2,
2940NM	—	1				14-3, 14-4, 12-2, 12-3, 12-4, 10-2
2922NM	—	1/2		16-5, 16-6, 14-2, 14-3, 14-4,		
2932NM	4972NM	3/4	.500-.750	14-5, 12-2, 12-3, 12-4, 12-5,		12-4, 10-2, 10-3, 10-4
2941NM	—	1		10-2, 10-3, 10-4, 8-2		
2942NM	—	1	.700-.950	10-4, 10-5, 8-3, 8-4		
—	2688	1	.560-.690	14-3*, 14-4, 14-5*, 12-2, 12-3,		10-2*, 10-3, 10-4
				12-4*, 10-2, 10-3*		
—	2685	1	.660-.780	14-5, 12-4*, 12-5, 10-3*, 10-4		10-4
2696	—	3/4	.770-.895	10-5, 8-2, 8-3*		
—	2686	1				
2678	2687	1	.870-1.020	8-3*, 8-4*		
2699	—	1	.890-1.090	8-4, 8-5*, 6-2, 6-3*, 6-4*, 4-2*		
2702	—	1-1/4				
2703	—	1-1/4		4-2*, 4-3, 2-2*		
2704	—	1-1/4	1.270-1.470	4-4, 2-2*		
2705	—	1-1/2	.890-1.150	8-4, 8-5, 6-2, 6-3, 6-4*, 4-2*		
2706	—	1-1/2	1.140-1.400	6-5, 6-4*, 4-2*, 4-3, 4-4*,		2-2, 2-3*
2707	—	1-1/2	1.390-1.650	4-4*, 2-3*, 2-4		
2708	—	2	1.190-1.530	6-5, 4-2*, 4-3, 4-4, 2-2, 2-3,		2-4*
2709	—	2	1.520-1.860	2-4*		
2710	—	2	1.850-2.190			

* Actual cord diameter must be determined before proper fitting can be selected. Measure cord, if available, or refer to cord manufacturer's catalogue.

T&B Conduit Fittings

Flexible Cord and Cable Fittings

Flexible Cord and Power Cable Chart

Type of Cord	AWG Size of Conductors	Number of Conductors and Approximate O.D. (in.)		
		2 Conductor	3 Conductor	4 Conductor
SV, SVO, SVT	18	.250	.260	—
SJ, SJO, SJT, SJTO	18	.300	.330	.360
	16	.330	.360	.390
	14	.375	.395	.420
S, SO, ST, STO, and Portable Power Cables	18	.385	.400	.430
	16	.400	.425	.480
	14	.530	.560	.605
	12	.600	.635	.665
	10	.640	.690	.745
	8	.700-.840	.750-.910	.820-.990
	6	.820-.930	.885-1.010	.975-1.100
	4	1.080	1.170	1.270
	3	1.170	1.240	1.340
	2	1.270	1.340	1.480
	1	1.440	1.510	1.680
	1/0	1.520	1.650	1.790
	2/0	1.650	1.750	1.930
	3/0	1.770	1.890	2.070
	4/0	1.920	2.070	2.260
	250	2.160	2.390	—
	14	—	—	.410
	12	—	—	.450
	10	—	—	.530
Bus Drop Cables	8	—	—	.670
	6	—	—	.850
	4	—	—	.950
	2	—	—	1.000

Note: The above dimensions are approximate and may vary depending upon the manufacturer.

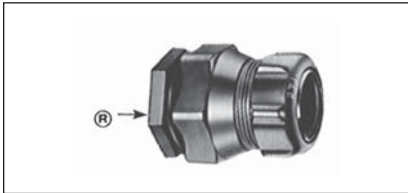
T&B Conduit Fittings

Flexible Cord and cable Fittings

Specifications—Liquidtight Flexible Cord and Cable Fittings



2520 Series



2631 Series

Application

- A liquidtight fittings to connect flexible cord or power cable to a box or enclosure and provide adequate strain relief.

Features

- Liquidtight connection with box or enclosure is assured by:
 - (1) Taper threaded hub on 2520 series for female hub application (A).
 - (2) Using sealing ring series 5262 with 2520 series for knockout application (B).
 - (3) Captivated sealing 'O' ring on 2631 series (C).
- Neoprene bushing makes liquidtight installation; applies pressure against cable the full length of bushing (D).
- Thermoplastic or stainless steel retaining ring (E).
 - (1) Will not abrade cord/cable jacket.
 - (2) Reduces installing torque effort.
- U.L. Listed for liquidtightness, strain relief and as an outlet bushing; CSA certified watertight.

Standard Material

Gland, Body	Steel/Malleable Iron/Zinc Die Cast
Retaining Ring	Thermoplastic/ Stainless Steel
Bushing	Neoprene
'O' Ring	Buna N

Standard Finish

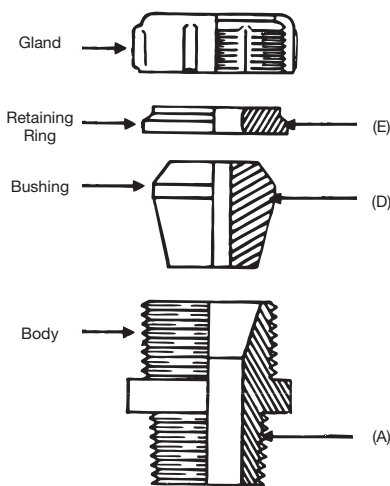
Electro Zinc Plated & Chromate Coated

Range

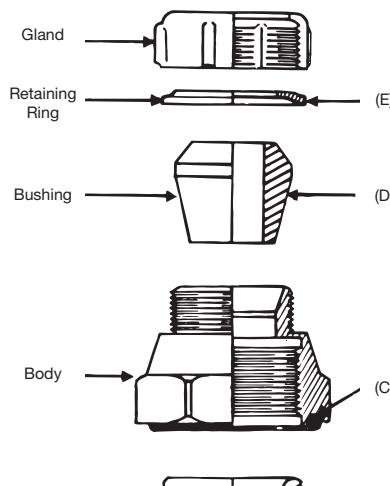
- 2520 Series, straight
0.125" outside diameter to 3.200" outside diameter Cord or Cable
- 2200 Series, 45°
0.125" outside diameter to 1.485" outside diameter Cord or Cable
- 2267 Series, 90°
0.125" outside diameter to 1.875" outside diameter Cord or Cable
Cord/Cable Type S, SO, SV, ST, STO, SJ, SJO, SJT, SJTO, SVO & SVT

Conformity

U.L. 514B
CSA C22.2 No. 18.3
NFPA 70-2008 (ANSI)



2520 Series



2631 Series