

Insulating Covers for H-Type Compression Taps

Quick and easy insulation for H-type compression taps.

Interlocking Insulating Soft Covers

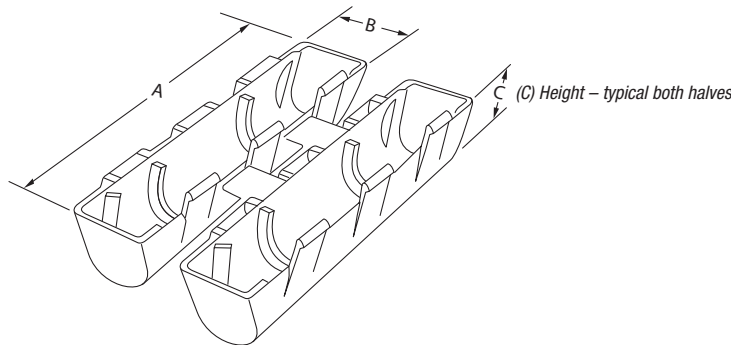
- Ideal for pigtailing, 2-way splicing or tapping to an unbroken continuous main
- Insulation covers are not reusable



C o m p r e s s i o n

Specifications

- Material: Flame-Retardant, High-Impact Polypropylene
- Color: Black
- Voltage Rating: 600V max.
- Temperature: 90°C



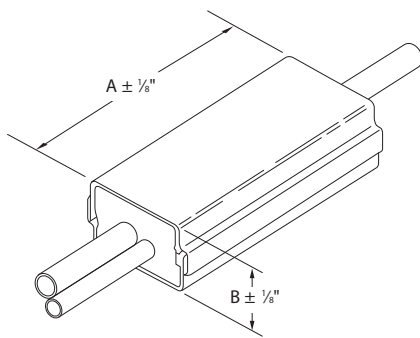
CAT. NO.	Wire Range		AL H-Taps	Use to Insulate	Dimensions in. (mm)			"A" Dim.	"B" Dim.
	Max.	Min.			A	B	C		
HT20C	2/0	6	63110/63115 63125/63120	–	4.50 (114.3)	1.25 (31.8)	1.12 (28.4)	–	–
HT40C	4/0	6	63140 63148	–	5.60 (142.2)	1.40 (35.6)	1.18 (30.0)	–	–
HT600C	500 kcmil	2	63160	63169	6.81 (173.0)	2.12 (53.8)	1.60 (40.6)	–	–
HT1000C	1000 kcmil to 500 kcmil	250 kcmil to 1/0 AWG	63180	–	–	–	–	[184.15MM] 7.250	2.330 +0.060
HT1000C-L	1000 kcmil to 500 kcmil	250 kcmil to 250 kcmil	63170	–	–	–	–	[263.40MM] 10.374	2.330 +0.060

Insulating Covers for H-Type Compression Taps

Insulating Hard Covers

C o m p r e s s i o n

- For indoor use in splice boxes and trays
- Easy to use – simply place H-Tap in cover and snap cover closed
- Consult your Regional Sales Office for available flame-retardant version
- Hard shell outer covers guard inner seal, keep out dust
- Installs quickly and easily without special tools – simply snaps together
- Eliminates time-consuming taping
- Provides high-quality, neat, uniform installations
- Range-taking design reduces inventory



These insulating covers provide hard shell insulated protection for "H" type compression taps and splices and because there is no taping required, you get uniform quality and appearance each time. The exclusive locking design provides the range taking capability. Only five H-tap insulating catalogue cover numbers accommodate the range of 6 AWG – 1000 kcmil in the main and 12 AWG – 500 kcmil in the branch.



CAT. NO.	Dimensions in. (mm)		
	A (Length)	B (Thick)	C (Width)
HTC2S	2.00 (50.8)	1.12 (28.4)	1.43 (36.3)
HTC2	3.50 (88.9)	1.12 (28.4)	1.43 (36.3)
HTC40	4.25 (108.0)	1.56 (39.6)	2.00 (50.8)
HTC40L2	5.75 (146.1)	1.56 (39.6)	2.00 (50.8)
HTC500	6.00 (152.4)	1.75 (44.5)	2.75 (69.9)
HTC1000	7.00 (177.8)	2.38 (60.5)	3.88 (98.6)
HTC1000L	10.00 (25.4)	2.38 (60.5)	3.88 (98.6)

Interlocking insulating covers for "H" type compression taps. For use in splice boxes, indoors or in tray indoors. Place the H-Tap in the cover. snap the cover closed. Consult your Regional Sales Office for flame-retardant version.

Technical Data:

HTC2 and HTC2S use insulation wrap instead of end cushions for inner seal.

Connector Cat. Nos. 54755 through 54790 and 63148 through 63180 require hydraulic crimping tools. Refer to instruction sheet.

Outer Hard Shell Covers – High Impact Black Thermoplastic (Noryl)

Flammability Class, UL 94V-1

Inner seal – Black neoprene sponge soft closed cell.

Oxygen index 28% UL 94 HBF.

Temperature Rating – 90°C maximum

Certified Voltage Rating – 600V maximum

NOTE: Insulation covers are not reusable.

For H-Tap Applications

CAT. NO.	AL H-Tap	CU H-Tap
HTC2	63105	
HTC2S		CHT814-10
HTC40	63110	CHT214-9
	63118	CHT250214-8
	63125	CHT2514-7
	63140	CHT2502-6
HTC500	63148	CHT50010-5/CHT50040-4
	63160	CHT75010-3/CHT750350-2
HTC1000L	63170	
HTC1000	63180/63169	CHT750350-1F

For C-Tap Applications

CAT. NO.	C-Tap	Color Code
HTC40	54720	Brown
	54725	Green
	54730	Pink
	54755	Blue
HTC40L2	54760	Brown
	54735	Black
	54740	Orange
	54745	Purple
HTC500	54750	Yellow
	54765	Pink
	54770	Black
	54775	Yellow
HTC1000	54780	White
	54785	N/A
	54790	N/A