

Installing Dies

Insert Dies for TBM6H Hydraulic Head and Type OD Tools



Cat. No.	Description or Color Codes	Cat. No.	Description or Color Codes
OJB	0	BY37	840 (EEI 11A)
DBL	D	BY55	Wire Cutter (2/0 max.)
BY39	510 Hex (non-bow)	BY63	Orange (Nicopress)
BY41	635 Hex (non-bow)	BY65	Plum
BY43	747 Hex (non-bow)	BY15C*	7/32 Red
BY45	T	BY17C*	1/4 Blue
BY47	K	BY19C*	5/16 Grey
BY49	B	BY21C*	3/8 Brown
BY51	J	BY23C*	1/2 Pink
BY53	P	BY24C*	1/2-1 Gold
BY13	3/16	BY25C*	9/16 Tan/Orange
BY15*	7/32 (EEI-1 index 236)	BY27C*	11/16 Yellow
BY17	1/4	BY31C*	5/8-1 Olive/Purple
BY19	5/16 (index 161.242)	BY32C*	Ruby
BY21	3/8	BY35C*	781 White
BY23	1/2 (index 163)	BY37C*	840 Red
BY25	9/16	BY28C*	17/32 Black
BY27	11/16	BY53C*	P Green
BY29	19/32	BG1	Canvas Bag for OD58
BY31	5/8-1 (index 165)	ODH1	Insulating Head Cover
BY33	737	DC	Die Carry Case
BY35	781		

*Can also be used with OD58 tool.

Insert Dies for Hydraulic Heads* JB12B, 13100A, TBM14M, TBM14MC, TBM14BSCR, TBM14RH, TBM15I, TBM15BSCR, BPLT14BSCR, BPLT15BSCR



Cat. No.	Description or Colour Codes	Cat. No.	Description or Colour Codes
B58CS	5/8 Die Set	B75AH	-
HO	"0" Die Set	B76AH	-
HD	"D" Die Set	B76SH	-
HN	"N" Die Set	B06CHI	Pink/Gold #1/0 AWG-CU
HU	"U" Die Set	B08CH	Tan/Orange #3/0 AWG-CU
HBKC	BKC	B09CH	Olive/Purple #4/0 AWG-CU
HBKT	BKT	B11CH	Red/Blue #350/400 kcmil-CU
B24EA	EEI 8A	B10SH	-
B30EA	EEI 9A	B05CH	Green #1 AWG-CU
B39EA	EEI 10A	B26CH	Ruby/Yellow #250 kcmil-CU
B48EA	EEI 11A (840)	B71CH	Red #8 AWG-CU
B61EA	EEI 12A	B72CH	Black #2/0 AWG-CU
B80EA	EEI 13A	B73CH	Blue #6 AWG-CU
B20AH	EEI14A	B74CH	Grey #4 AWG-CU
B71AH	-	B75CH	Brown #2 AWG-CU
B72AH	-	B76CH	Pink #500 kcmil-AL
B73AH	-	B10CHI	White #300 kcmil-CU
B74AH	-	B12CHI	Brown #500 kcmil-CU

*Adaptor 15500-TB required with T&B 15-ton tools.

Installing Dies

Cross-Reference for 21940 (40-Ton) Tool Dies

Die Designation	Die Code	Cat. No.	Burdly	
			Copper	Aluminum
	66	11409	30RT	28RT
840	71 / 76	11363 / 11410	31RT / 32RT	29RT / 30RT
1	87	11423	34RT	31RT
1-1/8	94 / 99	11364 / 11424	36RT / 38RT	32RT / 34RT
	106	74506	39RT	36RT
1-5/16	107 / 112	11425 / 11426	40 RT	40 RT
1-1/2	115 / 125	11308 / 11416	44 RT	39 ART
1-5/8	140	11418		40RT
1-3/4	150 / 161	11419 / 11420	46RT	44RT
	175	11421		

Installing Dies

Dies for Standard Color-Keyed® / Blackburn® Lugs & Splices

Connector Size			Color-Keyed Die Color	TBM45S	TBM4S	TBM840	TBM8-750M-1 TBM8-750BSCR TBM8-750	TBM8-8/8S Die Cat. No.	TBM5-5/5S Die Cat. No.	TBM6/6S / 25000		13642M / 13400 Hydraulic Head		TBM12 Hydraulic Head	
Code Copper	Flex /24	AL								Cat. No. Upper Die	Cat. No. Lower Die	Die Cat. No.	Die Code No.	Die Cat. No.	Die Code No.
8 AWG	37/24	10 AWG	RED	C-Taps Only	↕	↕	↕	13461	13454	13475	13477	11732	21	TBM12D-1	21
6 AWG	61/24	8 AWG	BLUE							13475	13477	11733	24	TBM12D-1	24
4 AWG	91/24	6 AWG	GREY							13472	13476	11734	29	TBM12D-2	29
2 AWG	125/24		BROWN							13474	13477	11735	33	TBM12D-2	33
1 AWG	150/24	4 AWG	GREEN							13474	13477	11736	37	TBM12D-3	37
1/0	225/24	2 AWG	PINK							13475	13477	11737	42	TBM12D-3	42
2/0	275/24		BLACK					13474	13477	11738	45	TBM12D-4	45		
3/0	325/24		ORANGE					13474	13477	11739	50	TBM12D-4	50		
4/0	450/24		PURPLE					13475	13477	11740	54	TBM12D-5	54		
250 kcmil	550/24		YELLOW					13473	13476	11771	62	TBM12D-5	62		
		1 AWG	GOLD					13474	13477	17738	45	TBM12D-4	45		
		1/0	TAN					13474	13477	11739	50	TBM12D-4	50		
		2/0	OLIVE					13475	13477	11740	54	TBM12D-5	54		
		3/0	RUBY					13473	13476	11741	60	TBM12D-5	60		
		4/0	WHITE					13473	13476	11742	66H	TBM12D-5	66H		
350 kcmil	775/24 (Short)	250 kcmil	RED					13466	13458	13472	13476	11743	71H	TBM12D-4	71H
400 kcmil	775/24 (Long)	300 kcmil	BLUE	13467	4/0 Only	13472	13476	11744	76H	TBM12D-4	76H				
	925/24*		N/A			13479	13676	11745	80H						
500 kcmil		350 kcmil	BROWN	13468		13478	13478	11746-TB	87H	TBM12D-3	87H				
600 kcmil	1100/24	400 kcmil	GREEN					11747	94H	TBM12D-3	94H				
			GREEN								94H				
	1325/24**		PINK												
700 kcmil		500 kcmil	PINK					11748	99H	TBM12D-2	99H				
750 kcmil		650 kcmil	BLACK					11749	106H	TBM12D-2	106H				
800 kcmil			ORANGE					11750	107H						
		700 kcmil	PURPLE					11751	112H	TBM12D-1	112H				
900 kcmil	1925/24	750 kcmil	YELLOW					11753	115H	TBM12D-1	115H				
1000 kcmil		800 kcmil													
		1000 kcmil													

* Standard barrel only. Long barrel requires Brown 87H.
** Standard barrel only. Long barrel requires Black 106H.

Dies for Standard Lugs and Splices (OD58)

Connector Size			Color-Keyed Die Color	OD58	
Code Copper	Flex/24	AL		Die Cat No.	Die Code No.
8 AWG	37/24	10 AWG	RED	BY15C	21
6 AWG	61/24	8 AWG	BLUE	BY17C	24
4 AWG	91/24	6 AWG	GREY	BY19C	29
2 AWG	125/24		BROWN	BY21C	33
1AWG	150/24	4 AWG	GREEN	BY53C	37
1/0	225/24	2 AWG	PINK	BY23C	42
2/0	275/24		BLACK	BY28C	45
3/0	325/24		ORANGE	BY25C	50
4/0	450/24		PURPLE	BY27C	54
250 kcmil	550/24		YELLOW	BY31C	62
		1AWG	GOLD	BY24C	45
		1/0	TAN	BY25C	50
		2/0	OLIVE	BY31C	54
		3/0	RUBY	BY32C	60

Installing Dies

Dies for Color-Keyed® / Blackburn® Lugs and Splices

Connector Size			Color-Keyed Die Color	BPLT6BSCR/TBM6H		BPLT62BSCR		BPLT14BSCR/TBM14M/ TBM14MC/13100A*/JB12B/ TBM14RH/TBM14BSCR BPLT14BSCR/TBM15BSCR/ BPLT15BSCR		BPLT15BSCR/ TBM15I***		21940 (40 Ton)	
Code Copper	Flex/24	AL		Die Cat. No.	Die Code No.	Die Cat. No.	Die Code No.	Die Cat. No.	Die Code No.	Die Cat. No.	Die Code No.	Die Cat. No.	Die Code No.
8 AWG	37/24	10 AWG	RED	6TON21	21	TBM6221	21	15520	21	15520	21		21
6 AWG	61/24	8 AWG	BLUE	6TON24	24	TBM6224	24	15522	24	15522	24		24
4 AWG	91/24	6 AWG	GREY	6TON29	29	TBM6229	29	15527-CK	29	15527-CK	29	11401	29
2 AWG	125/24		BROWN	6TON33	33	TBM6233	33	15528	33	15528	33	11402	33
1 AWG	150/24	4 AWG	GREEN	6TON37	37	TBM6237	37	15513-CK	37	15513-CK	37	11333	37
1/0	225/24	2 AWG	PINK	6TON42	42	TBM6242	42	15508	42	15508	42	11334	42
2/0	275/24		BLACK	6TON45	45	TBM6245	45	15526	45	15526	45	11405	45
3/0	325/24		ORANGE	6TON50	50	TBM6250	50	15530	50	15530	50	11406	50
4/0	450/24		PURPLE	6TON54	54	TBM6254	54	15511	54	15511	54	11407	54
250 kcmil	550/24		YELLOW	6TON62	62	TBM6262	62	15510-CK	62	15510-CK	62	297-31669-7	62
		1 AWG	GOLD	6TON45	45	TBM6245	45	15526	45	15526	45	11405	45
		1/0	TAN	6TON50	50	TBM6250	50	15530	50	15530	50	11406	50
		2/0	OLIVE	6TON54	54	TBM6254	54	15511	54	15511	54	11407	54
		3/0	RUBY	6TON60	60	TBM6260	60	15532-CK	60	15532-CK	60	11408	60
300 kcmil		4/0	WHITE	6TON66	66H	TBM6266	66	15534	66H	15534	66H	11409	66
350 kcmil	775/24 (Short)	250 kcmil	RED	6TON71	71H	TBM6271	71	15514-CK	71H	15514-CK	71H	11363	71
400 kcmil	775/24 (Long)	300 kcmil	BLUE	6TON76	76H	TBM6276	76	15512	76H	15512	76H	11410	76
	925/24*		N/A	6TON80	80H	TBM6280	80	15517	80H	15517	80H		
500 kcmil		350 kcmil	BROWN	6TON87	87H	TBM6287	87	15506	87H	15506	87H	11423	87
600 kcmil	1100/24	400 kcmil	GREEN	6TON94	94H				94H	15611	94H	11364	94
			GREEN					15536-CK		15536-CK			
	1325/24**		PINK										
700 kcmil		500 kcmil	PINK		99H			15505	99H	15505	99H	11424	99
750 kcmil		650 kcmil	BLACK		106H			15515-CK	106H	15515-CK	106H	7450	106
800 kcmil			ORANGE		107H					15608	107H	11425	107
		700 kcmil	PURPLE		112H					15609	112H	11426	112
900 kcmil	1925/24	750 kcmil	YELLOW		115H			15504	115H	15504	115H	11308	115
1000 kcmil		800 kcmil	N/A							15603	125H	11416	125
		1000 kcmil	N/A							15602	140H	11418	140
										15601	150H	11419	150

* Standard barrel only. Long barrel requires Brown 87H.
 ** Standard barrel only. Long barrel requires Black 106H.
 *** 15500 Series dies require 15500-TB adaptor. 15500F for full size die to fit TBM15I without adaptor.

Dies for Color-Keyed® C-Taps

Connector	Color code	TBM45S/TBM4BB Nest Color	TBM5/5S Die Cat. No.	TBM6/6S Die Cat. No.	TBM8/8S Die Cat. No.	BPLT62BSCR Die Cat. No.	TBM6H/BPLT6BSCR Die Cat. No.
54705	RED	Red Nest	13454	13475/13477	13461	TBM6221	6TON21
54710	BLUE	Blue Nest	13454	13475/13477	13461	TBM6224	6TON24
54715	GREY	Grey Nest	13454	13472/13476	13461	TBM6229	6TON29
54720	BROWN	Brown Nest	13454	13474/13477	13461	TBM6233	6TON33
54725	GREEN	Green Nest	13455	13474/13477	13462	TBM6237	6TON37
54730	PINK	-	13455	13475/13477	13462	TBM6242	6TON42
54735	BLACK	-	13455	13474/13477	13462	TBM6245	6TON45
54740	ORANGE	-	13455	13474/13477	13462	TBM6250	6TON50
54745	PURPLE	-	13456	13475/13477	13463	TBM6254	6TON54
54750	YELLOW	-	13456	13473/13478	13463	TBM6262	6TON62

Installing Dies

Dies for Large Color-Keyed® C-Taps

Connector	Color code	13642M/13400 Die Cat. No.	TBM12 Die Cat. No.	13100A/JB12B/TBM14M/TBM14RH/ TBM14BSCR/BPLT14BSCR/BPLT15BSCR Die Cat. No.	TBM15I/BPLT15BSCR/ TBM15BSCR Die Cat. No.
54755	Blue	11744	TBM12D-4	15512	15512
54760	Brown	11746-TB	TBM12D-3	15506	15506
54765	Pink	11748	TBM12D-2	15505	15505
54770	Black	11749		15515-CK	15515-CK
54775	Yellow	11753	TBM12D-1	15504	15504
54780	White				
54785	N/A	-	-	-	15603
54790					

Dies for Aluminum H-Taps

Connector	Color code	TBM5/5S Die Cat. No.	TBM6/6S Die Cat. No.	TBM8/8S Die Cat. No.	TBM12 Die Cat. No.	TBM6H/BPLT6BSCR Die Cat. No.	13100A/JB12B/TBM14M/TBM14RH/ TBM14BSCR/TBM14MC/BPLT14BSCR Die Cat. No.	TBM15I/BPLT15BSCR/ TBM15BSCR Die Cat. No.
63105	Orange	13455	13474/13477	13462	TBM12D-4	6TON50	15530	15530
63110	Green		13470		TBM12D-H	OJB	15501A	15501A
63118								
63125	Blue		13471			DBL	15502	15502
63140								
63148	Red							15612
63160	Black							15620
63169								
63170								
63180								

Dies for Copper H-Taps

Connector	Color code	TBM6H/ BPLT6BSCR Die Cat. No.	13100A/JB12B/ TBM14M/TBM14BSCR/ TBM14RH/TBM14MC/ BPLT14BSCR Die Cat. No.	TBM15BSCR/ TBM15I/ BPLT15BSCR Die Cat. No.
CHT814-10	Green	6TON37R	15CA37RCH	15CA37RCH
CHT214-9	Brown	6TON71R	15CA71RCH	15CA71RCH
CHT250214-8	Purple		15CA80RCH	15CA80RCH
CHT25014-7				
CHT2502-6	Brown			15612CH
CHT50010-5				
CHT50040-4	Yellow			15620CH
CHT75010-3				
CHT750350-2				
CHT75040-11				
CHT750350-1F	White			15620CHF

Dies for Medium-Voltage Connectors (15kV applications)

Die Code No.	Copper Conductor Size	TBM15I, TBM14M, TBM14RH, TBM14MC, BPLT14BSCR, 13100A		Round Gauging
		Adaptor** Type	Non-Adaptor Type	
29R	#4 AWG	15CA29R		.302/.290
33R	#2 AWG	15CA33R		.348/.336
37R	#1 AWG	15CA37R		.394/.382
42R	1/0 AWG	15CA42R		.432/.420
45R	2/0 AWG	15CA45R		.472/.460
49R	3/0 AWG	15CA49R		.522/.510
54R	4/0 AWG	15CA54R		.576/.564
60R	250 kcmil	15CA60R		.604/.592
66R	300 kcmil	15CA66R		.680/.668
71R	350 kcmil	15CA71R		.730/.718
76R	400 kcmil	15CA76R		.790/.778
87R	500 kcmil	15CA87R		.904/.892
94R	600 kcmil	15CA94R***		.958/.946
106R	750 kcmil	15CA106R***		1.042/1.030
125R	1000 kcmil	-	15C125R*	1.298/1.286

*To be used with TBM15I or TBM15BSCR tools.

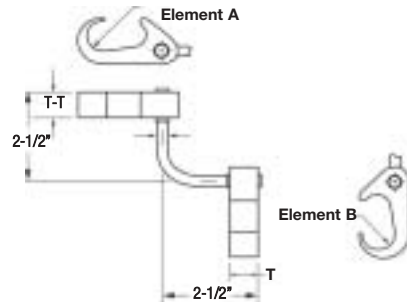
**Use 15500-TB adaptor with TBM15I tool.

***Not UL Listed for use in TBM14M/13100A tools.

Installing Dies

Dies for Figure 6 to 6 Ground Connectors

Connector	Cable Element A	To Cable Element B	To Ground Rod Element A	To Rebar Element B	Die Selection	
					Element A	Element B
54855L	#6 Sol. – #2 Str.	#6 Sol. – #2 Str.	–	–	15501A	15501A
54865L	#1 Str. – 250 kcmil				15501A	15G86R
54875L	#2 Str. – 250 kcmil	#2 Str. – 250 kcmil	1/2" – 5/8" Rod	3/8" – 1/2" #3 – #4 Rebar	15G86R	15G86R
54885L	250 kcmil – 500 kcmil	#6 Sol. – #2 Str.	5/8" – 3/4" Rod	5/8" – 3/4" #3 – #4 Rebar	15501A	15G126R
54895L		#2 Str. – 250 kcmil			15G86R	15G126R
54900L					15G121R	15G121R



Dies for Figure 6 to 6 Ground Connectors and Cross Reference

Cat. No.	Dies for T&B 14- and 15-Ton Tools				Burdny Tools and dies											
	Element A *		Element B *		Y750				Y45				Y46			
	A	*	B	*	A	*	B	*	A	*	B	*	A	*	B	*
54900L	15G121R	3	15G121R	3	U1011	3	U1011	3	S1011	3	S1011	3	P1011	3	P1011	3
54895L	15G86R	1	15G126R	1	PU998 or PU998	1	U997	1	S998 or PU998	1	U997	1	P998	1	U997	1
54885L	15501A	1	15G126R	1			U-0 or PU998	1	S998	1	U-0	1			U-0	1
54875L	15G86R	1	15G86R	1	U997	1	U997	1	U997	1	U997	1	U997	1	U997	1
54865L	15501A	1	15G86R	1			U-0	1	U-0	1	U-0	1			U-0	1
54855L	15501A	1	15501A	1	U-0	1	U-0	1	U-0	1	U-0	1	U-0	1	U-0	1

Use 15500-TB adaptor for T&B 15-ton tool.

* = Number of crimps

New Generation, 3 in 1 E-Z-CK-DIEKIT

CAT. NO.	Kit includes				
	Die Cat. No.	Qty	Die Color	Copper	Aluminum
E-Z-CK-DIEKIT	15528	1	Brown	2 AWG	n/a
	15513-CK	1	Green	1 AWG	4 AWG
	15508	1	Pink	1/0 AWG	2 AWG
	15526	1	Black	2/0 AWG	1 AWG (Gold)
	15530	1	Orange	3/0 AWG	1/0 AWG (Tan)
	15511	1	Purple	4/0 AWG	2/0 AWG (Olive)
	15510-CK	1	Yellow	250 kcmil	n/a
	15534	1	White	300 kcmil	4/0 AWG
	15514-CK	1	Red	350 kcmil	250 kcmil
	15506	1	Brown	500 kcmil	350 kcmil
	15515-CK	1	Black	750 kcmil	650 kcmil



Installing Dies

Dies for Figure 6 – Ground Connectors and Cross References

Cat. No.	Dies for T&B 14- and 15-Ton Tools *	Burdny Tools and dies			
		Y750 *	Y45 *	Y46 *	
54900	15G121R 3	U1011 3	S1011 3	P1011 3	
54895	15G126R 1	PU998 1	PU996 or S998 1	PU996 or S998 1	
54890					
54885	15501A 1	U0 1	U0 1	U0 1	
54875					
54865CK	15G86R 1	997 1	U997 1	U997 1	
54860					
54855	15G86R 1				

Use 15500-TB adaptor for T&B 15-ton tool.

* = Number of crimps

Dies for Figure 8 – Ground Connectors and Cross References

Cat. No.	Cable Range	Dies for T&B 14- and 15-Ton Tools *	Burdny Tools and dies		
			Y750 *	Y45 *	Y46 *
GR1-300500*	300-500 kcmil		U1011 2	S1011	P1011 2
GR34-300500 & TP*			PU998 1	S1012 or PU998 2 1	P1011 2 or PU998 1
GR58-30050 & TP					
GR1-40250*	4/0 AWG-250 kcmil	15G121R 2	U1011 2	S1011 2 S1012 2 or PU998 1	P1011 2 or PU998 1
GR34-40250 & TP*			PU998 1	S1012 2 or PU998 1	
GR58-40250 & TP					
GR12-40250 & TP					
GR1-202*	2 AWG-2/0 AWG		U1011 2	S1011 2 S1012 2 or PU998 1	
GR34-202 & TP			PU998 1	S1012 2 or PU998 1	
GR58-202 & TP					
GR12-202 & TP					

Optional ground rod knurling die for TBM 14- and 15-ton tools: 15508

Use 15500-TB adaptor for T&B 15-ton tool.

Optional ground rod knurling tool: 240-31565-94

*Use 15-ton tool only.

* = Number of crimps

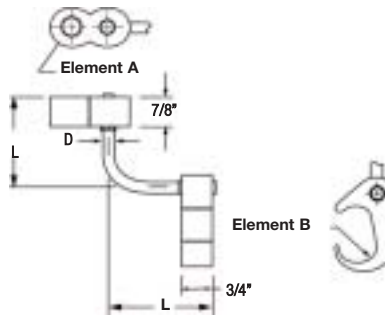
Installing Dies

Dies for Figure 6 to 8 Ground Connectors and Cross Reference

Cat. No.	Dies for T&B 14- and 15-Ton Tools		Burdny Tools and dies					
	Element A *	Element B *	Y750		Y45		Y46	
			A *	B *	A *	B *	A *	B *
54920LR100	15G121R	15G126R [1]		U1011 [2] or PU998 [1]		U1011 [2] or PU998 [1]		U1011 [2] or PU998 [1]
54910LR100	15G121R	15G86R [1]		U997 [1]		U997 [1]		U997 [1]
54900L34 & TP	15G121R	115G126R [1]		U1011 [2] or PU998 [1]		U1011 [2] or PU998 [1]		U1011 [2] or PU998 [1]
54875L34 & TP	15G121R	15G86R [1]	U1011 [2] or PU998 [1]	U997 [1]	S1011 [2] or PU998 [1]	U997 [1]	P1011 [2] or PU998 [1]	U997 [1]
54895LR58 & TP	15G121R	15G126R [1]				S998 [1] or PU998 [1]		P998 [1] or PU998 [1]
54865L58 & TP	15G121R	15G86R [1]				U997 [1]		U997 [1]
54885LR12 & TP	15G121R	15G126R [1]		U1011 [2] or PU998 [1]		S998 [1] or PU998 [1]		P998 [1] or PU998 [1]
54855LR12 & TP	15G121R	15G86R [0]				U997 [1]		U997 [1]

Optional ground rod knurling die for TBM 14- and 15-ton tools: 15508
 Use 15500-TB adaptor for T&B 15-ton tool.
 Optional ground rod knurling tool: 240-31565-94
 *Use 15-ton tool only.

* = Number of crimps



Dies for EZ Ground™ C-Taps and Cross Reference

Cat. No.	Dies for T&B 14- and 15-Ton Tools		Burdny Tools and dies		
		*	Y750	Y45	Y46
CTP500500	15G121R	[3]	U1011 [3]	S1011 [3]	P1011 [3]
CTP500250	15G121R	[2]	U1011 [2]	S1011 [2]	P1011 [2]
CTP50020					
CTP250250	15G86R	[1]	U997 [1]	U997 [1]	U997 [1]
CTP25020					
CTP2020	15501A	[1]	U-0 [1]	U-0 [1]	U-0 [1]
CTP202					
CTP22**	HBKC	[1]	U-C [1]	U-C [1]	U-C [1]

*Cat. No. 15500-TB adaptor required if using T&B 15-ton tool with 155XX series dies.
 **#6 AWG branch must be doubled.

* = Number of crimps

Knurling Dies for 14- & 15-ton Tools

Cat. No.	Description
15508	For 5/8" and 3/4" ground rods

Used to knurl ground rods in order to increase the pullout value of the compression connection by as much as 20%.



240-31565-94