

Interlocking Insulating Covers for H- and C-Type Compression Taps

Better covers for taps.

C
o
m
p
r
e
s
s
i
o
n

Soft Shell H-Tap/ C-Tap Covers

Thomas & Betts offers an improved design for one-piece covers of H-tap and C-Tap connectors. The new design is more size-efficient and includes an easy latch mechanism. The new covers also contain flash barriers to help protect against electrical flashovers. The covers are molded from high impact polypropylene (UL94V-1) and are certified to 600V applications at 105° C UL listed. Color-Keyed Soft Shell Covers include these features:



Smaller size requires less space in enclosure

High-impact polypropylene for rugged, dependable use

..... Specifications

- **Size-efficient design**
Won't take up as much room in the enclosure or vault, easier to store and carry to the job site
- **Easy Latch Mechanism**
Quick but sturdy cover latch for optimum insulation
- **Flash Barriers**
Provides protection from electrical flashovers
- **105° C Rating**
Offers maximum performance and higher than many competitor's temperature ratings
- **High-Impact Polypropylene**
Constructed from rugged materials for long-lasting protection

Also available in clear, impact-resistant and flame-retardant polycarbonate (UL94-V-0), the clear version includes an internal pocket for a visible identification label without opening the cover. Contact Customer Service for shipping and availability. **See HTCV2CLRFR-SD in table.**

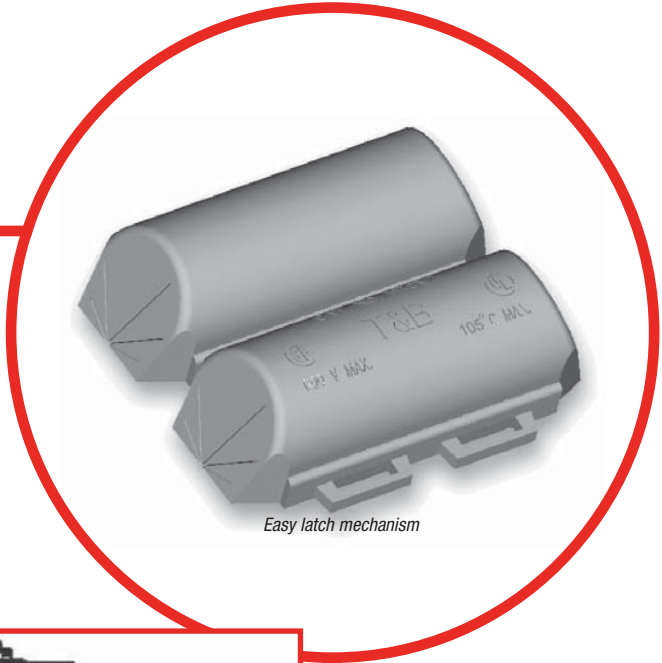
Color-Keyed®

Interlocking Insulating Covers for H- and C-Type Compression Taps

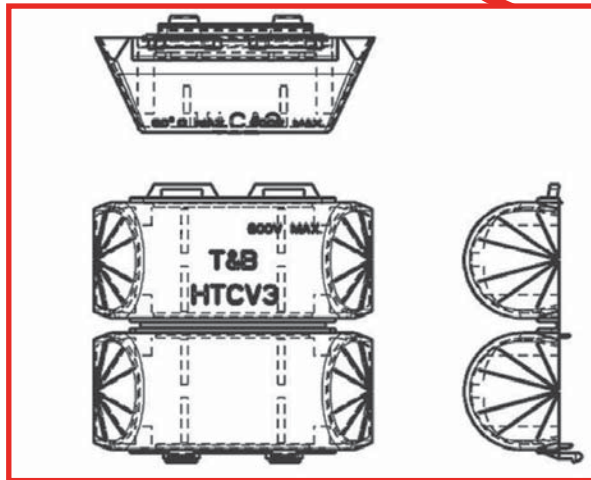
Compression



Clear, polycarbonate
(UL94V-0) version available



Easy latch mechanism



CAT. NO.	For H-Taps	For C-Taps	Dimensions in.			PKG QTY
			A	B	C	
HTCV1	CHT814-10	54705, 54710, 54715	1-3/4	7/8	9/16	5
HTCV2	CHT214-9, CHT250214-8, CHT25014-7, CHT2502-6	54770, 54775, 54780	3-3/8	1-1/8	1	5
HTCV3	CHT50010-5, CHT50040-4	54740, 54745, 54750, 54755, 54760, 54765	3-27/32	1-5/8	1-5/16	5
HTCV4	CHT75010-3, CHT750350-2, CHT750350-1F, CHT75040-11	N/A	5-5/8	2	1-11/16	5
HTCV2CLRFR	CHT214-9, CHT250214-8, CHT25014-7, CHT2502-6	N/A	3-3/8	1-3/8	1	5