

## Connectors for Copper Conductors

C o m p r e s s i o n

### Two-Barrel Lugs Certified to 600V and Recommended up to 35 kV\*Applications

Material: High-Conductivity  
Wrought Copper  
Finish: Electro Tin Plate

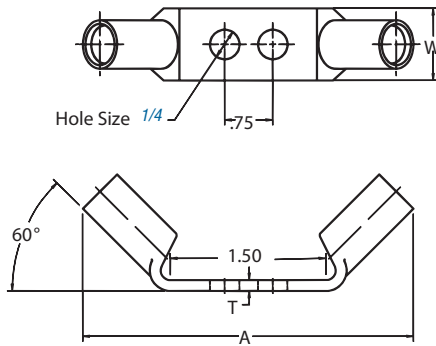


Figure 1

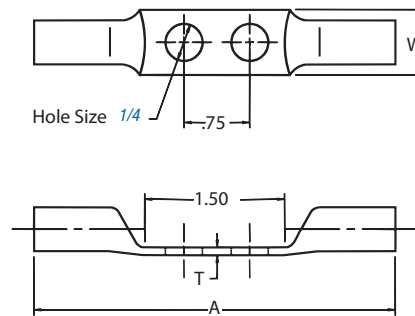


Figure 2



CAT. NO.	WIRE SIZE		Hole Size (in.)	Figure No.	Dimensions in. (mm)			Die Code	Die Color
	Code	Flex			A	W	T		
256-30695-828	6	61/24	1/4	1	2.94 (74.7)	0.44 (11.2)	0.06 (1.5)	24	Blue
256-30695-1227	6	61/24	1/4	2	3.38 (85.9)	0.44 (11.2)	0.06 (1.5)	24	Blue

Tooling: pp. 116-145

Die Selector Chart: pp.146-153

\* For installations from 16 kV up to 35 kV, consult shielded cable manufacturers for stress relief and insulation requirements.