

Quick Pole Assembly

Quick, Safe & Effective



SAFETY FIRST

- CSA certified product
- One person operation
- No ladders or lifts required
- Simplified maintenance
- Hot dipped galvanized steel and aluminum finishes
- Free's up catwalks and walkways during maintenance
- Epoxy coated finishes available

QUICK POLE ASSEMBLY

Features & Benefits

Certifications

- Suitable for 180km/h winds* as per AASHTO LTS-4 2001
- Steel pole treads are treated and protected to prevent galvanic reaction as per AASHTO LTS-4 2001
- CSA certified products



* Please contact your All-Struct™ sales representatives for fixture types and mounting height limitations.

Construction

- Sphere shaped, quick knuckle features round edges, preventing injuries and contaminant build-up of components
- The quick release mechanism is activated using one hand and one pull pin
- The quick pole assembly blocks at a 90° angle when the pull pin reaches the stopper
- All quick knuckle hardware is made of stainless steel
- All mounting brackets hardware are hot dip galvanized

Quick Pole Assembly

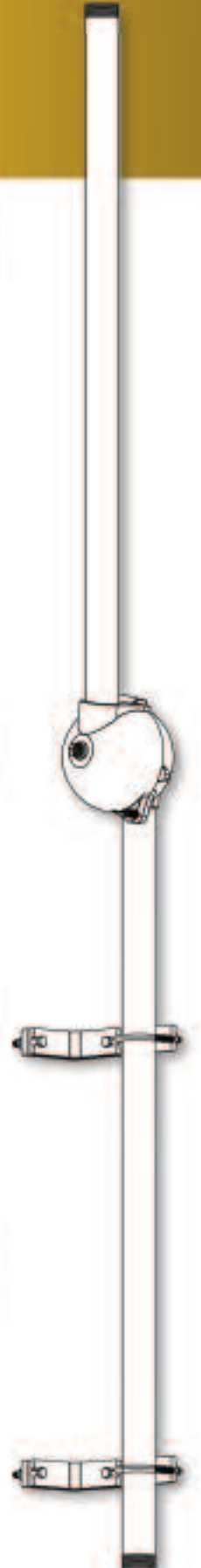
- Operates in any kind of weather
- Overall length is 10' (3 m)
- Pole trade size is 1-1/2" treaded NPT
- Top pole section is 70" (1.78 m) long
- Lower pole section is 50" (1.27 m) long

Quick Knuckle Assembly

- Rotates 180° (90° left and right) around knuckle's center axis allowing freedom of installation and easy adjustment
- Easy one man operation. After center bolt is loosen, use the pull pin to lock and unlock the assembly

Brackets

- Universal mounting for 2" to 3" angle iron railings
- Quick mounting brackets can be installed inside or outside the guardrails
- Quick knuckle assembly should be mounted above hand rail allowing the pole sections to rotate before final positioning



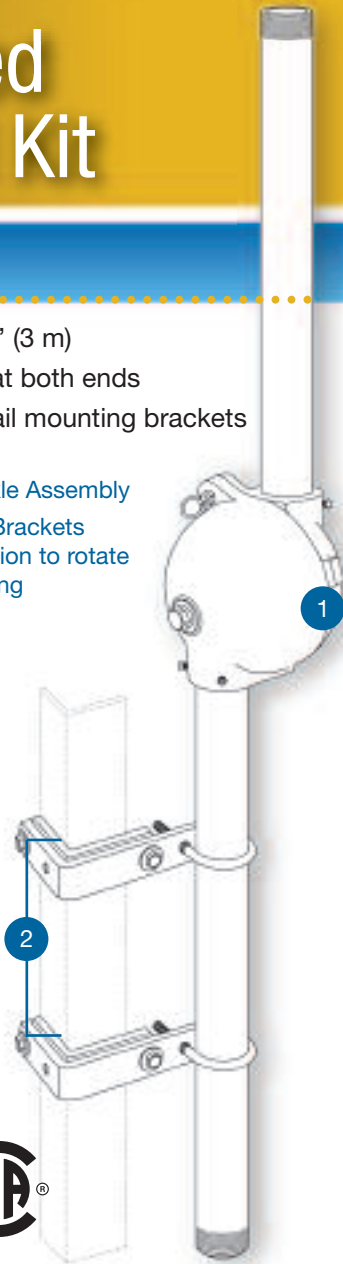
QUICK POLE ASSEMBLY

Galvanized Standard Kit

Description

- Overall height of 10' (3 m)
- 1-1/2" NPT threads at both ends
- Installed with two rail mounting brackets

1. Rotating Quick Knuckle Assembly
2. Angle Iron Mounting Brackets allowing the pole section to rotate before final positioning



Cat. No.:
Q-P-5-10

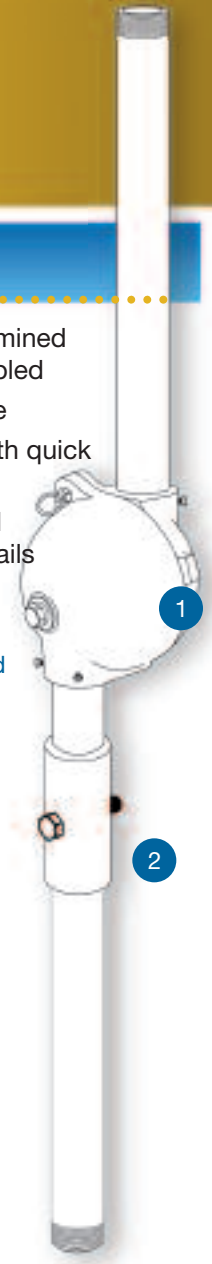


Retrofit Kit

Description

- Overall maximum and predetermined height of 10' (3 m) once assembled
- Can be adapted to existing pole
- Upgrades existing assembly with quick and easy maintenance features
- See instruction sheets provided with product for installation details

1. Rotating Quick Knuckle Assembly
2. Tapered Adaptor, fits over Standard 1-1/4" or 1-1/2" NPT Pipe



Cat. No.:
RQ-P-5-10



All All-Struct™ products are assembled or manufactured in Thomas & Betts ISO 9001 certified facilities and are designed to CSA and/or AASHTO standards.

WARRANTY: Thomas & Betts warrants its products to be free from defects in materials and workmanship for a period of one year from the invoice date under normal use and service. All goods found to be defective within this period after verification by Thomas & Betts shall be replaced or repaired by Thomas & Betts free of charge.

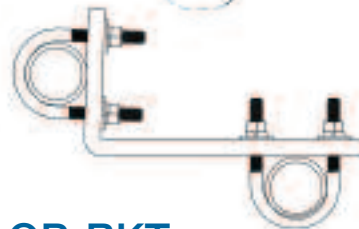
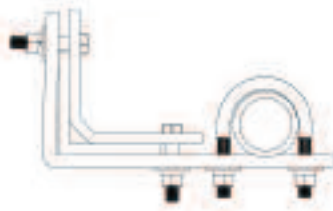
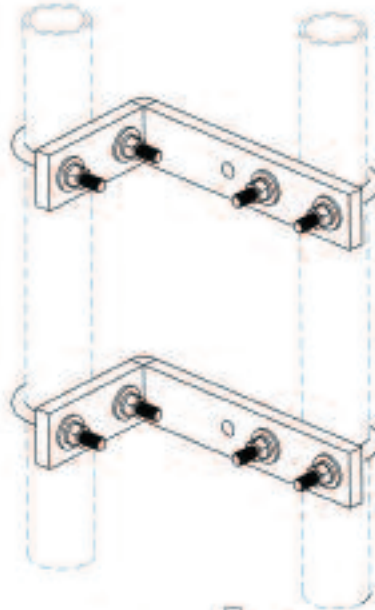
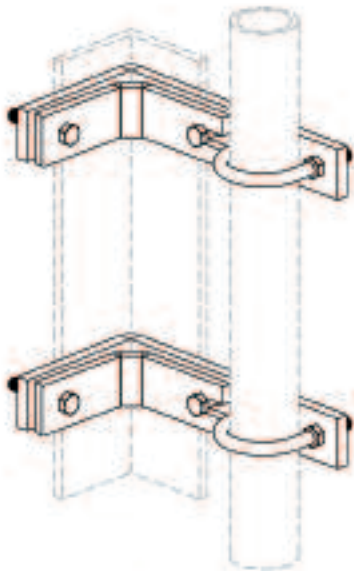
The warranty excludes fatigue failure or similar phenomena resulting from vibration or resonance associated with improper installation, overloading, misuse, abuse or neglect. Further, labor required to remove and/or reinstall original or replacement products shall be the responsibility of the customer.

In addition, this warranty does not cover alterations, modifications, or additions unless the change is acknowledged and accepted, in advance in writing, by Thomas & Betts.

E.P.A.: The allowable effective projected areas listed for this product are intended to be for hazardous location luminaires. For other type of applications (cameras, banner arms, wiring, signs or any other type of product), please contact your All-Struct™ sales representative for assistance in selecting the correct structure or product.

QUICK POLE ASSEMBLY

Universal Bracket Kit



Cat. No.:
AMB-QP-BKT

Cat. No.:
RMB-QP-BKT



Description

- Quick bolt-on installation, no welding or drilling
- Can be attached to angle iron guardrails up to 3"
- Can be installed on tubular structures less than 2" O.D.
- Allows the pole sections to rotate before final positioning