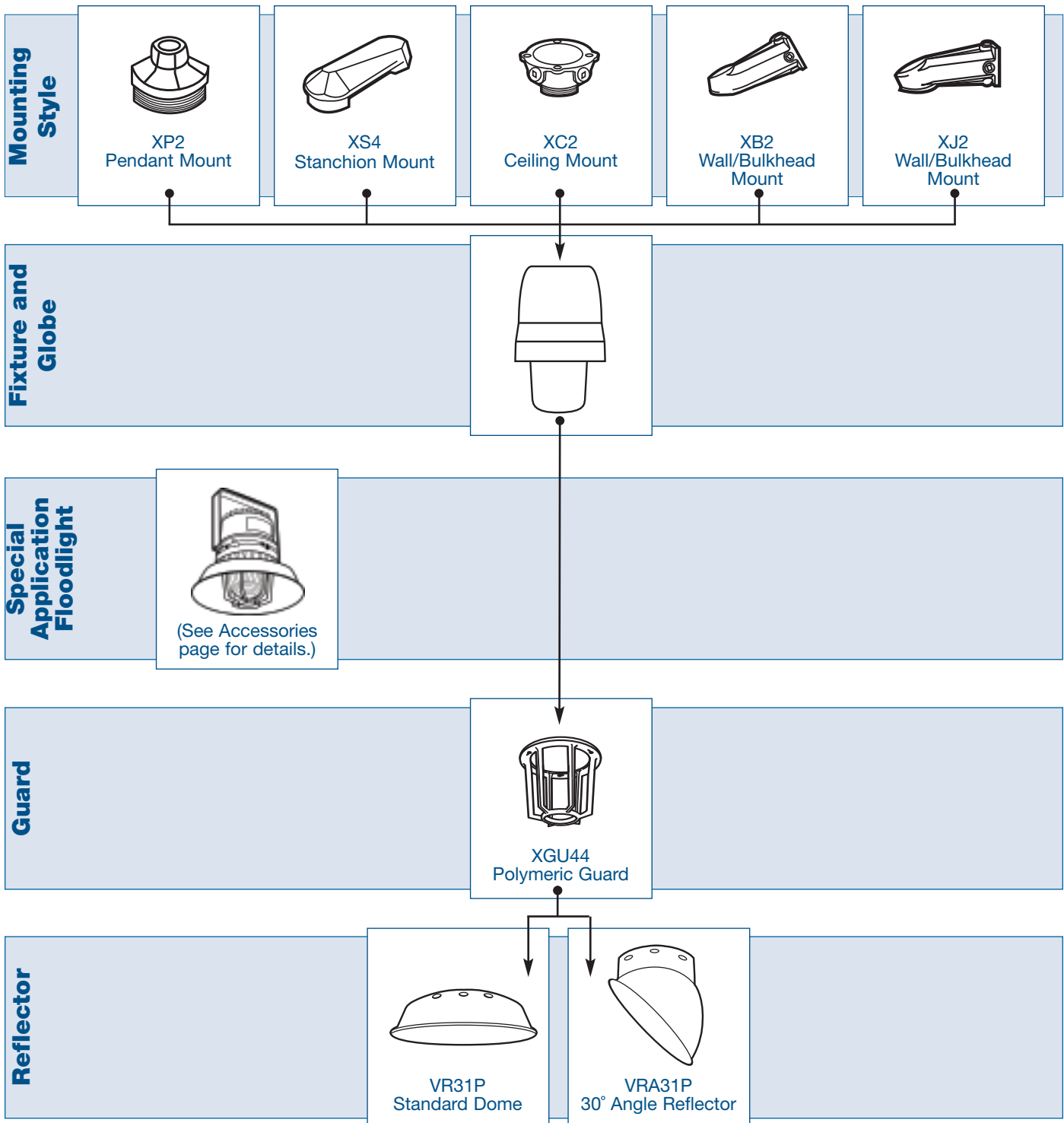
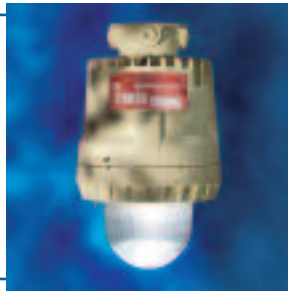


Hazlux

Hazlux 5 Fixture Assembly Sample



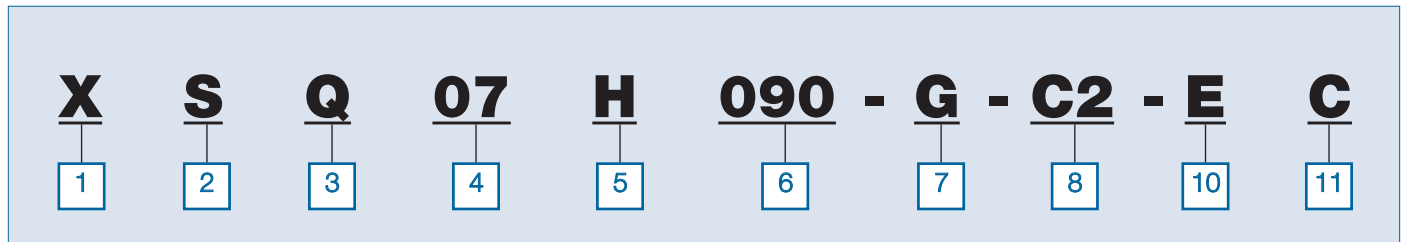


Class I — Division 1, Groups C and D
 — Zone 2, Groups IIC, IIB, IIA,
 — Division 2, Groups A, B, C and D
 Class II — Division 1 and 2, Groups E, F and G



•UL Listed (UL1598) for Marine Locations
 •NEMA 4X, IP66

Hazlux 5 Catalogue Numbering System



1 — Fixture Series

X = Hazlux® 5 Fixture

2 — Lamp Type

S = High Pressure Sodium
H = Metal Halide

3 — Starter Circuit/Quartz Options

O = Standard Fixture
P = Pulse Start (MH Only)
Q = Fixture with Auxiliary Quartz Option
R = Fixture with Instant Restart Option
 (70, 100 and 150 HPS Only)

4 — Lamp Wattage

05 = 50 watt
07 = 70 watt
10 = 100 watt
15 = 150 watt
17 = 175 watt (MH Only)
25 = 250 watt
40 = 400 watt

5 — Ballast Circuit

C = Constant Wattage Auto Transformer (CWA)
I = Constant Wattage
 Insulated Transformer (CWI)
H = High Reactance or Reactor
 (All ballasts high power factor.)

6 — Voltage

090 = 120/277/347 Volt, 60Hz
120 = 120 Volt
240 = 240 Volt
280 = 208 Volt
340 = 347 Volt
480 = 480 Volt

7 — Guard

G = Cast Guard
 (omit "G" if Guard not required)

8 — Mounting Style

P2 = 3/4 in. Pendant
P3 = 1 in. Pendant
C2 = 3/4 in. Ceiling
C3 = 1 in. Ceiling
B2 = 3/4 in. Wall
B3 = 1 in. Wall
J2 = 3/4 in. Bulkhead
J3 = 1 in. Bulkhead
S4 = 1-1/4 in. Stanchion
S5 = 1-1/2 in. Stanchion

9 — Special Options

T = HAZ-COTE™ Custom Corrosion Coating
 on All Aluminum Parts (Consult Factory)

10 — Hazpak® Options

D = Hazpak with Diffuse Coated Lamp
E = Hazpak with Clear Lamp

11 — CSA Certification


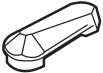
C = CSA Nameplate

Note: Verify hazardous location certification with your requirements on Hazlux Certification Guide general information on page 79.

Hazlux




Hazlux 5 Accessories

OUTLET BOXES — Designed for all Hazlux 5 Ballasts Housings.

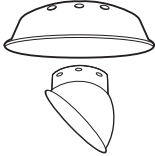
MOUNTING STYLE	CATALOGUE NO.	CONDUIT HUB SIZE	STD. PKG.
 Pendant Mount	XP2	3/4"	1
	XP3	1"	1
 Stanchion Mount	XS4	1-1/4"	1
	XS5	1-1/2"	1

Outlet Boxes include Female Electrical connectors and appropriate Close-Up Plugs.

OUTLET BOXES — Designed for all Hazlux 5 Ballasts Housings.

MOUNTING STYLE	CATALOGUE NO.	CONDUIT HUB SIZE	STD. PKG.
 Ceiling Mount	XC2	3/4"	1
	XC3	1"	1
 Wall Mount	XB2	3/4"	1
	XB3	1"	1
 Bulkhead Mount	XJ2	3/4"	1
	XJ3	1"	1

REFLECTORS


	Catalogue Number	Description	STD. PKG
	VR31P	Standard Dome Fiberglass Reinforced Polyester Finish	1
	VRD31	Deep Dome Steel with Anodized Aluminum Finish	1
	VRA31P	30° Angle Reflector, Fiberglass Reinforced Polyester Finish	1

GUARDS

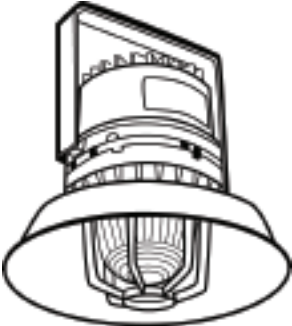
	CATALOGUE NO.	DESCRIPTION
	XGU44	Cast Aluminum Guard
	VGU31*	

* Used on all 400 watt fixtures and 200w thru 250w HPS, 250w MHPS

REPLACEMENT GLOBE ASSEMBLIES

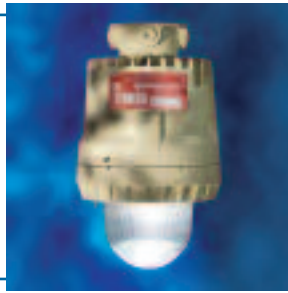
	CATALOGUE NO.	DESCRIPTION
	XGSA44	Hazlux 5 replacement globe assembly—250 MH 150 HPS
	XGSA44A	Hazlux 5 replacement globe assembly—400 watts and 250 HPS

HAZLUX 5 FLOODLIGHT (Trunnion Mount) AND REPLACEMENT GLOBE ASSEMBLIES

	CATALOGUE NO.	LAMP TYPE / WATTS
	XS005H030	High Pressure Sodium / 50
	XS007H040-G-P2TRE	High Pressure Sodium / 70
	XS010H040-G-P2-TR	High Pressure Sodium / 100
	XS015H040-G-P2TRE	High Pressure Sodium / 150
	XS025C040-G-P2TRE	High Pressure Sodium / 250
	XS040C040-G-P2TRE	High Pressure Sodium / 400
	XH017C040-G-P2TRE	Metal halide / 175
	XH025C040-G-P2TRE	Metal halide / 250
	XH040C040-G-P2TRE	Metal halide / 400
	VRA31	Angle Reflector
	VR31	Dome Reflector
	XGU44 (50-150 HPS, 175/250 MH or 100-250 MV)	Cast Guard
	VGU31 (250/400 HPS, 400 MV or 400 MH)	Cast Guard

Note: Fixture shown with Dome Reflector and Guard. These are not included in the Catalogue Numbers above.

5

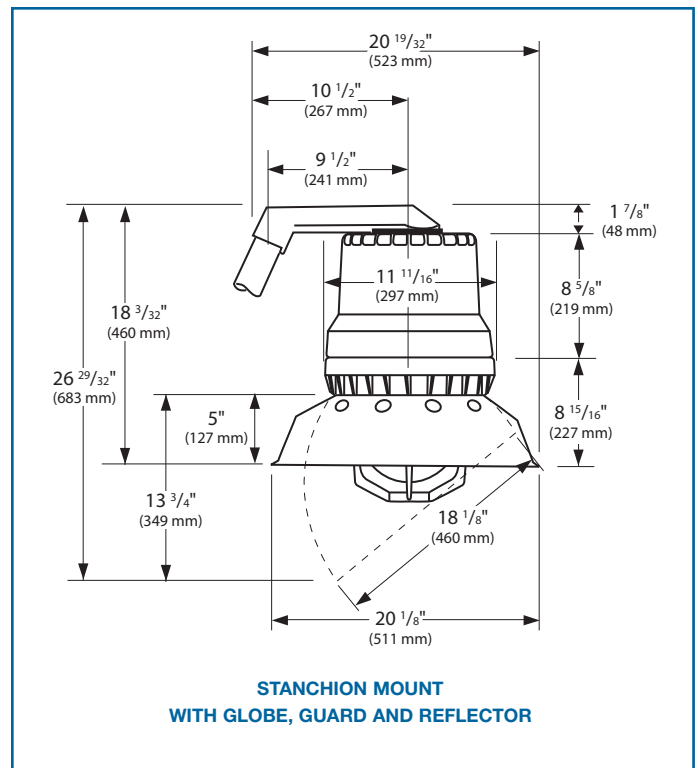
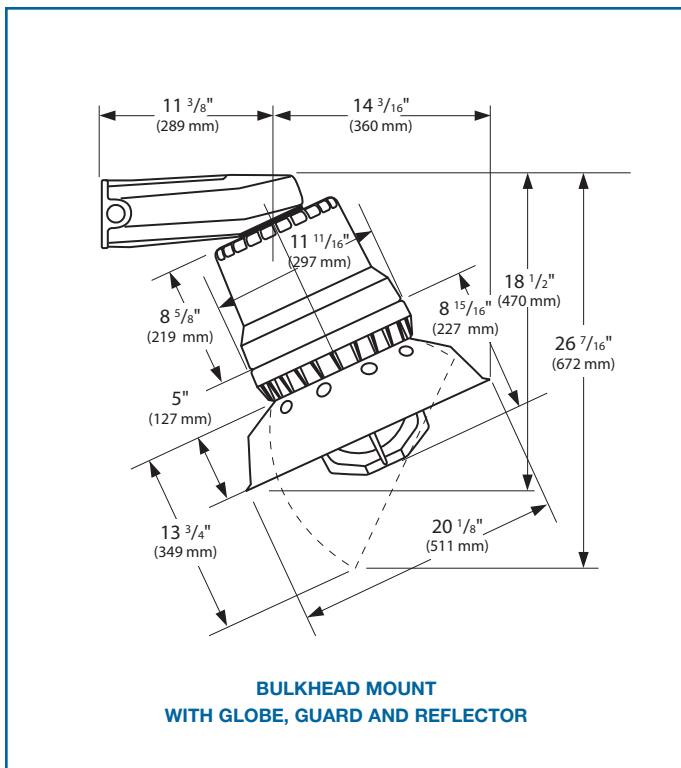
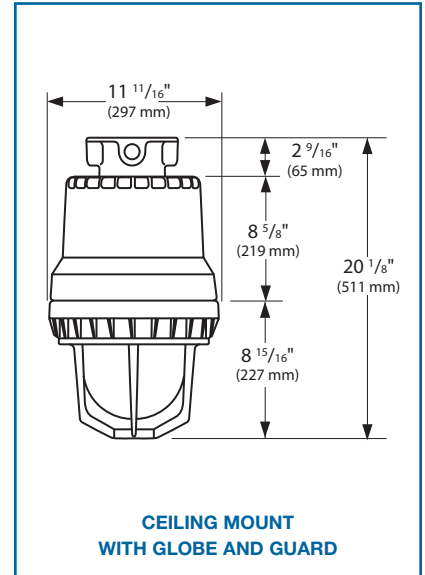
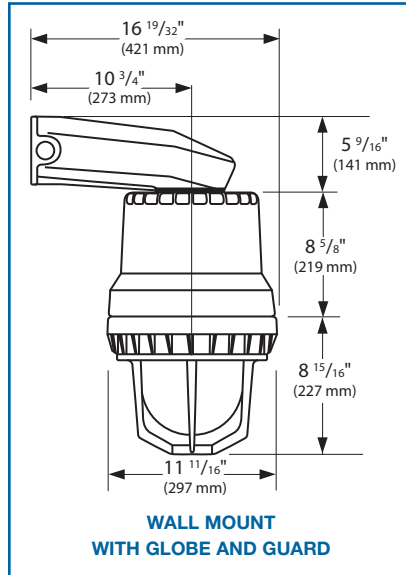
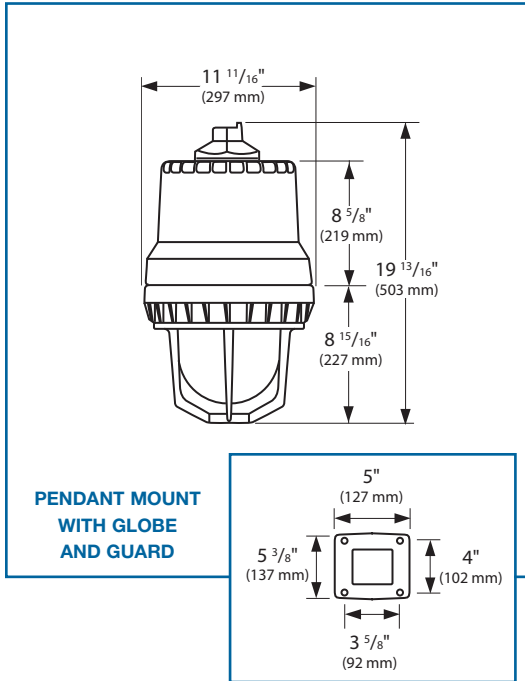


- Class I — Division 1, Groups C and D
- Zone 2, Groups IIC, IIB, IIA,
- Division 2, Groups A, B, C and D
- Class II — Division 1 and 2, Groups E, F and G



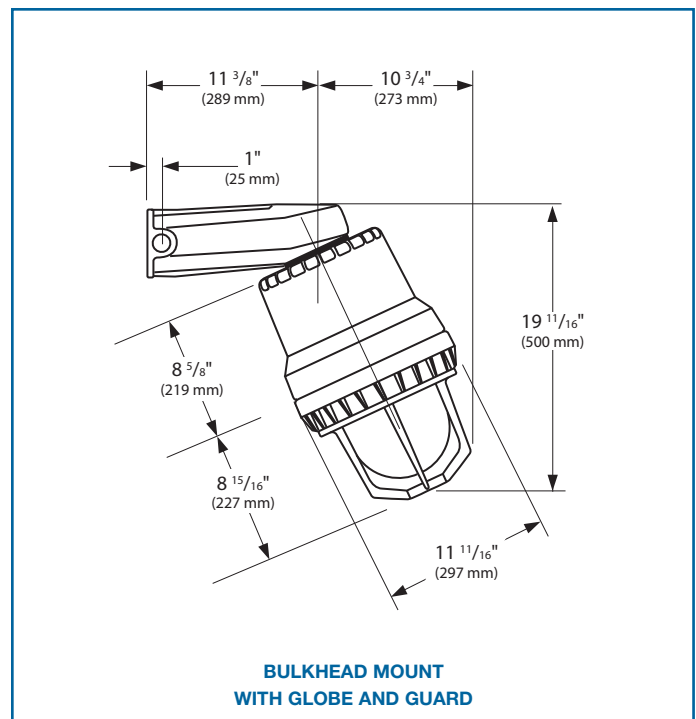
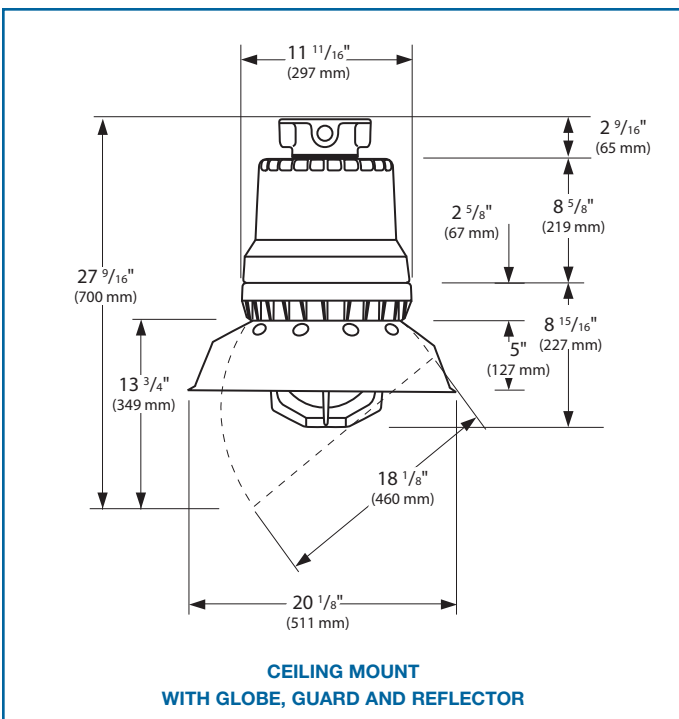
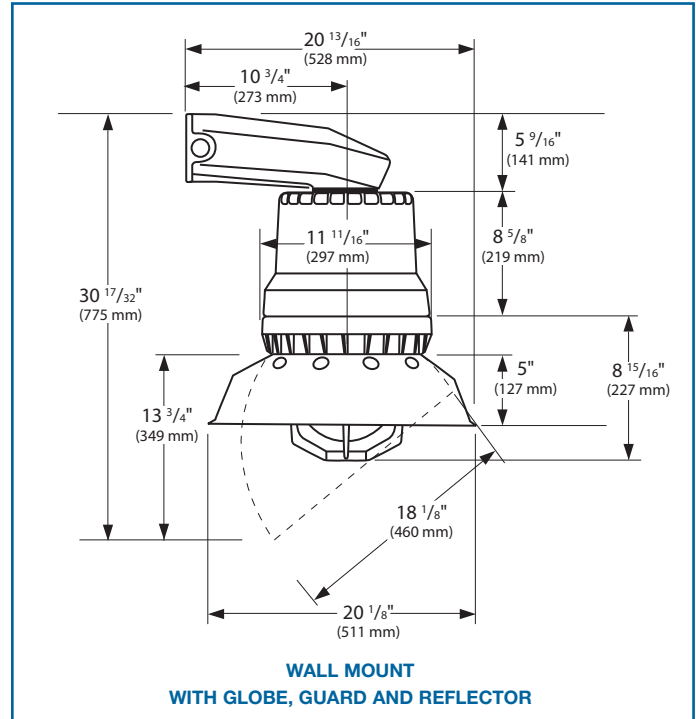
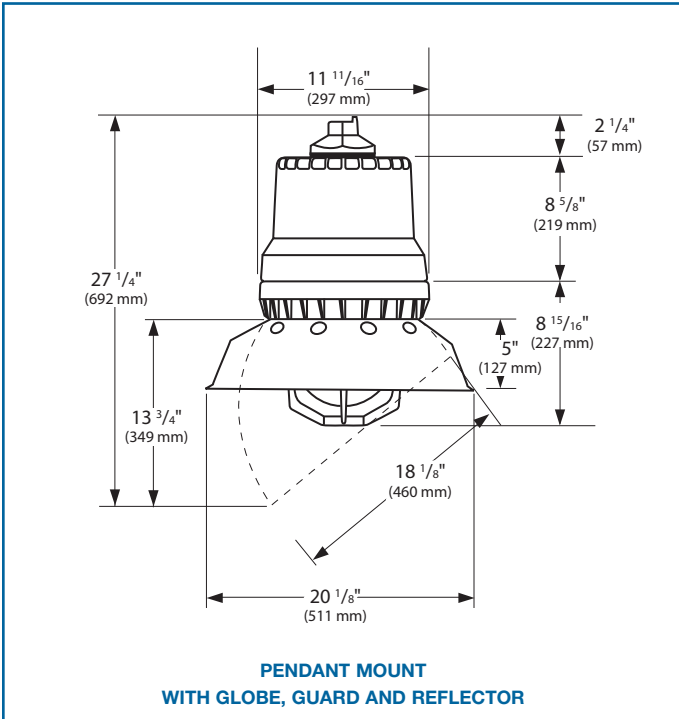
- UL Listed (UL1598) for Marine Locations
- NEMA 4X, IP66

Hazlux 5 Dimensions

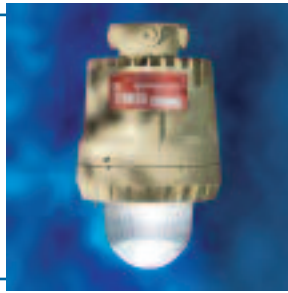


Hazlux

Hazlux 5 Dimensions



5



Class I — Division 1, Groups C and D
 — Zone 2, Groups IIC, IIB, IIA,
 — Division 2, Groups A, B, C and D
 Class II — Division 1 and 2, Groups E, F and G



•UL Listed (UL1598) for Marine Locations
 •NEMA 4X, IP66

Hazlux 5 (400 Series) Dimensions

