

HazFlash



The **HazFlash® M5** strobe lighting fixture is an enclosed and gasketed fixture that is suitable for use in marine and wet locations as well as in a wide range of industrial facilities.

Available in a choice of five lens colours with a flash rate of 60 flashes per minute, the HazFlash® M5 is ideally suited for use as a warning of unsafe conditions in areas where noise prevents audible signals from being heard.

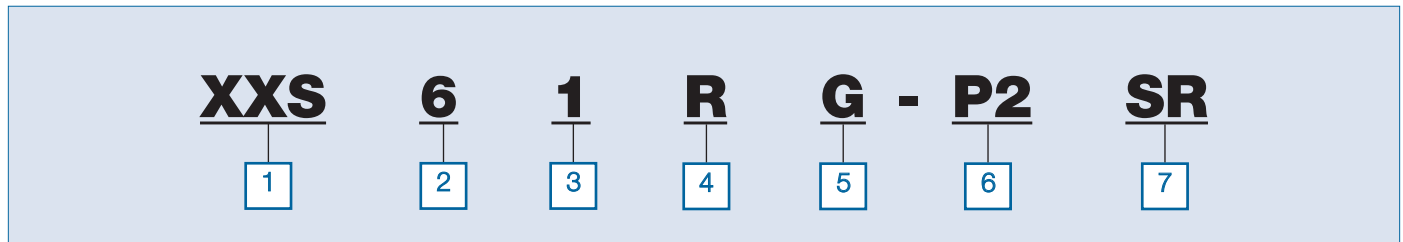


Class I — Division 1, Groups C and D
 — Zone 2, Groups IIC, IIB, IIA,
 — Division 2, Groups A, B, C and D
 Class II — Division 1 and 2, Groups E, F and G



•UL Listed (UL1598) for Marine Locations
 •NEMA 4X, IP66

HazFlash M5 Catalogue Numbering System



1 — **Fixture Series**
XXS = HazFlash™ M5 Xenon Strobe

2 — **Flash Rate**
6 = 60 Flashes per Minute

3 — **Voltage/Frequency**
1 = 120 Volts AC, 50/60 Hz (Standard)
2 = 240 Volts AC, 50/60 Hz
8 = 10 - 30 Volts DC
9 = 90 - 130 Volts DC

4 — **Lens Colour**
R = Red
B = Blue
C = Clear
G = Green
A = Amber

5 — **Optics and Guards**
G = Cast Guard
 (Omit "G" if guard is not required.)


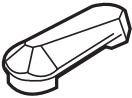
6 — **Mounting Style**
P2 = 3/4 in. Pendant Mount
P3 = 1 in. Pendant Mount
C2 = 3/4 in. Ceiling Mount
C3 = 1 in. Ceiling Mount
B2 = 3/4 in. Wall Mount with Box
B3 = 1 in. Wall Mount with Box
J2 = 3/4 in. Bulkhead Mount
J3 = 1 in. Bulkhead Mount
S4 = 1-1/4 in. Angle Stanchion Mount
S5 = 1-1/2 in. Angle Stanchion Mount

7 — **Options**
SR = Sealing Ring Kit for Inverted Mounting
 (Maintains Marine Listing in Globe Up Position)

Hazlux




HazFlash M5 Accessories

OUTLET BOXES – Designed for all Hazlux M5 Ballasts Housings.

MOUNTING STYLE	CATALOGUE NO.	CONDUIT HUB SIZE	STD. PKG.
Pendant Mount 	XP2	3/4"	1
	XP3	1"	1
Stanchion Mount 	XS4	1-1/4"	1
	XS5	1-1/2"	1

Outlet Boxes include Female Electrical connectors and appropriate Close-Up Plugs.

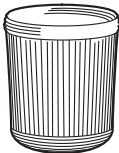
OUTLET BOXES – Designed for all Hazlux M5 Ballasts Housings.

MOUNTING STYLE	CATALOGUE NO.	CONDUIT HUB SIZE	STD. PKG.
Ceiling Mount 	XC2	3/4"	1
	XC3	1"	1
Wall Mount 	XB2	3/4"	1
	XB3	1"	1
Bulkhead Mount 	XJ2	3/4"	1
	XJ3	1"	1

GUARDS

	CATALOGUE NO.	DESCRIPTION
	XGU15	Cast Aluminum, Powder Finish

REPLACEMENT GLOBE ASSEMBLIES

	CATALOGUE NO.	DESCRIPTION
	XGSA15	Hazlux M5 replacement globe assembly 35-150 watts

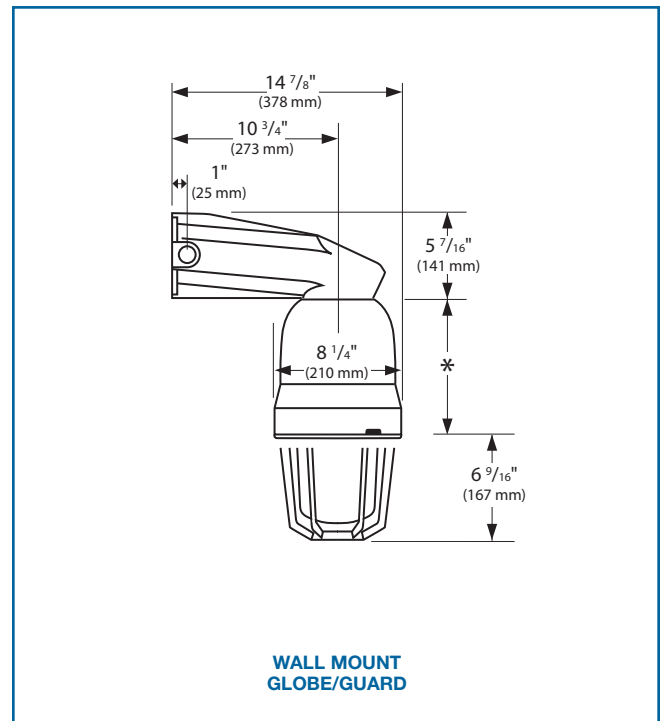
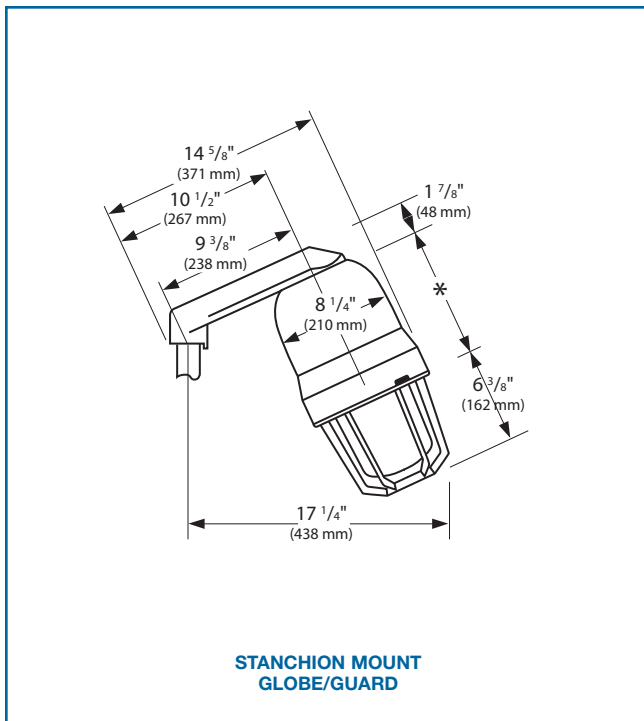
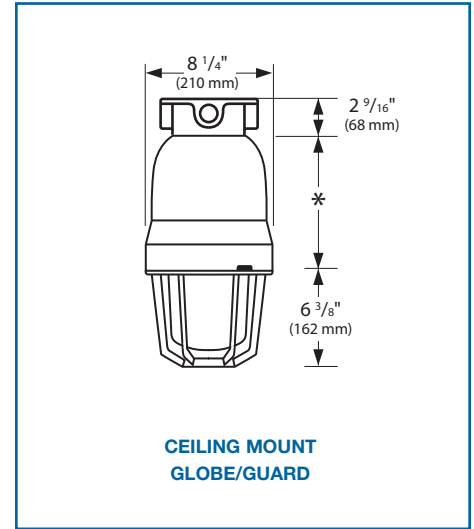
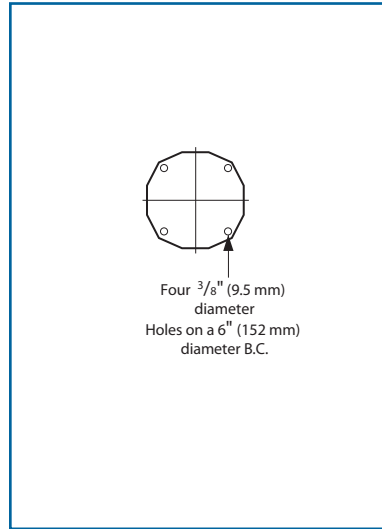
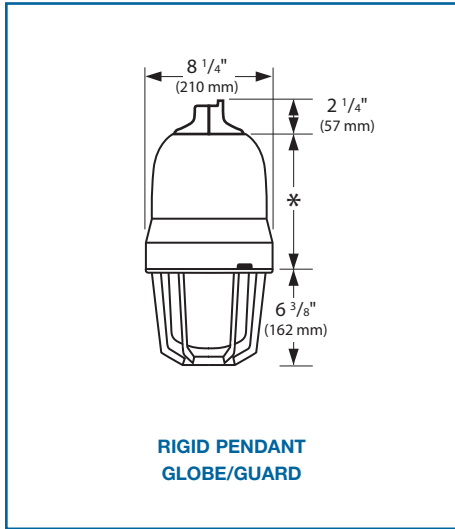


- Class I — Division 1, Groups C and D
- Zone 2, Groups IIC, IIB, IIA,
- Division 2, Groups A, B, C and D
- Class II — Division 1 and 2, Groups E, F and G



- UL Listed (UL1598) for Marine Locations
- NEMA 4X, IP66

HazFlash M5 Dimensions



* Tank Dim: HPS 9" / 229 mm, Incandescent and Fluorescent 5 11/16" / 144 mm