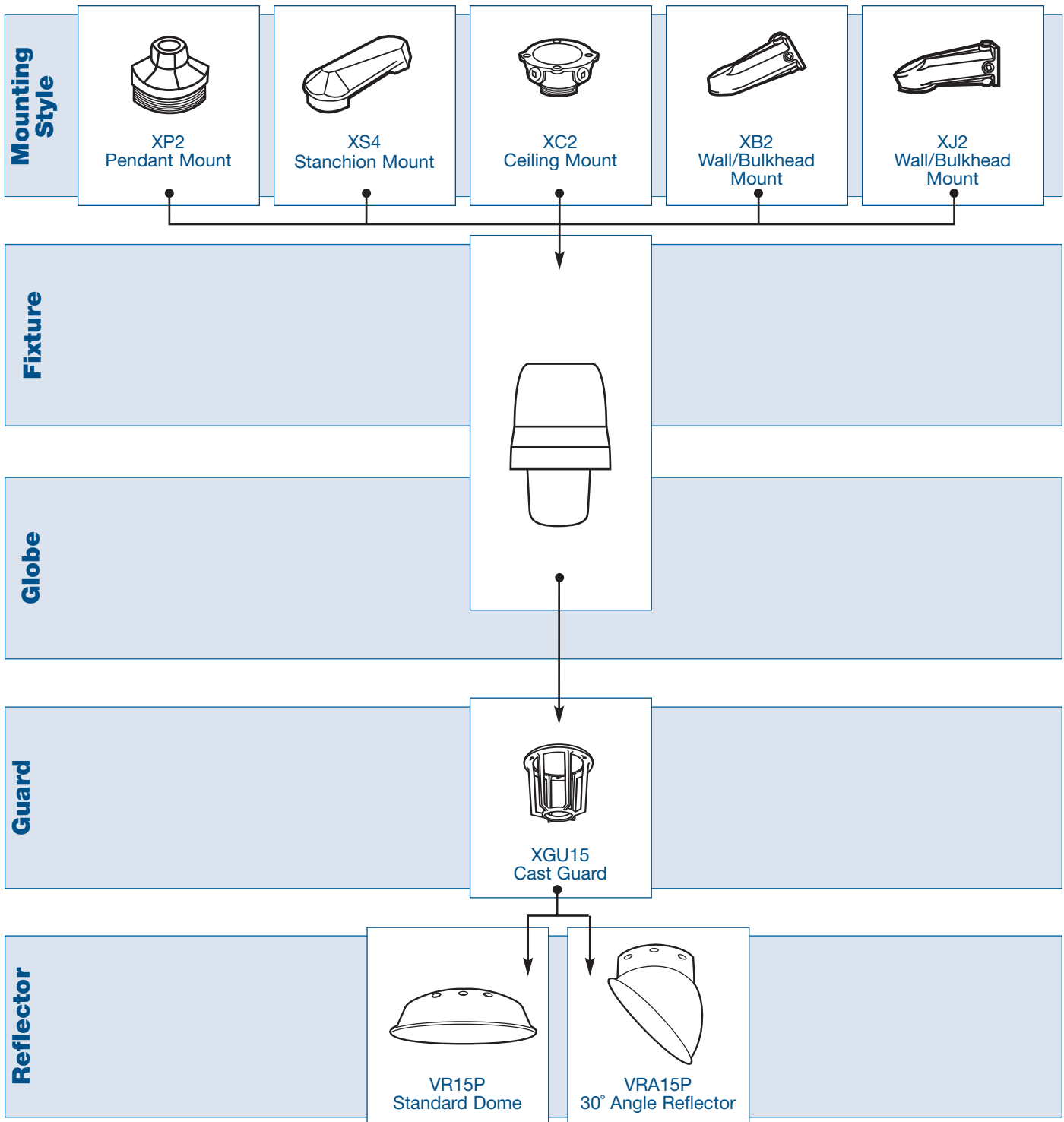


Hazlux

Hazlux M5 Fixture Assembly Sample



M5



Class I — Division 1, Groups C and D
 — Zone 2, Groups IIC, IIB, IIA,
 — Division 2, Groups A, B, C and D
 Class II — Division 1 and 2, Groups E, F and G



•UL Listed (UL1598) for Marine Locations
 •NEMA 4X, IP66

Hazlux M5 Catalogue Numbering System

High Pressure Sodium									
X	S	M	35	P	120	- G -	C2	E	C
1	2	3	4	5	6	7	8	10	11
Incandescent Only									
X	I	M	10	P	120	- G -	C2	E	C
1	2	3	4	5	6	7	8	10	11
Fluorescent Only									
X	F	B	18	P	12	- G -	C2	E	C
1	2	3	4	5	6	7	8	10	11

- 1** — **Fixture Series**
X = Hazlux® M5 Fixture
- 2** — **Lamp Type**
S = High Pressure Sodium
F = Fluorescent
I = Incandescent
- 3** — **Lampholder Type**
M = Medium Base Lampholder
B = Bi Pin Type (Fluorescent)
- 4** — **Lamp Wattage**
09 = 9 watt (Fluorescent)
13 = 13 watt (Fluorescent)
18 = 18 watt (Fluorescent)
26 = 26 watt (Fluorescent)
100 = 100 watt (Incandescent)
150 = 150 watt (Incandescent)
03 = 35 watt (HPS)
05 = 50 watt (HPS)
07 = 70 watt (HPS)
10 = 100 watt (HPS)
15 = 150 watt (HPS)
- 5** — **Ballast Circuit**
P = Reactor Type (HPS and Fluorescent)

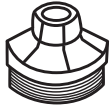
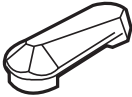
- 6** — **Voltage**
120 = 120 Volt
- 7** — **Optics and Guards**
G = Cast Guard
(Omit "G" if Guard is Not Required)
- 8** — **Mounting Style**
P2 = 3/4 in. Rigid Pendant
P3 = 1 in. Rigid Pendant
C2 = 3/4 in. Ceiling
C3 = 1 in. Ceiling
B2 = 3/4 in. Wall
B3 = 1 in. Wall
J2 = 3/4 in. Bulkhead
J3 = 1 in. Bulkhead
S4 = 1-1/4 in. Stanchion
S5 = 1-1/2 in. Stanchion
- 9** — **Special Options**
T = HAZ-COTE™ Custom Corrosion Coating
on all Aluminum Parts (Consult Factory)
- 10** — **Hazpak Options**
D = Hazpak with Diffuse Coated Lamp
E = Hazpak with Clear Lamp
- 11** — **CSA Certification**
C = CSA Nameplate

Note: Verify hazardous location certification with your requirements on Hazlux Certification Guide general information on page 79.




Hazlux

Hazlux M5 Accessories

OUTLET BOXES – Designed for all Hazlux M5 Ballasts Housings.

MOUNTING STYLE	CATALOGUE NO.	CONDUIT HUB SIZE	STD. PKG.
 Pendant Mount	XP2	3/4"	1
	XP3	1"	1
 Stanchion Mount	XS4	1-1/4"	1
	XS5	1-1/2"	1

OUTLET BOXES – Designed for all Hazlux M5 Ballasts Housings.

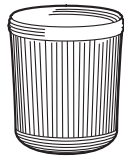
MOUNTING STYLE	CATALOGUE NO.	CONDUIT HUB SIZE	STD. PKG.
 Ceiling Mount	XC2	3/4"	1
	XC3	1"	1
 Wall Mount	XB2	3/4"	1
	XB3	1"	1
 Bulkhead Mount	XJ2	3/4"	1
	XJ3	1"	1

Outlet Boxes include Female Electrical connectors and appropriate Close-Up Plugs.

GUARDS

	CATALOGUE NO.	DESCRIPTION
	XGU15	Cast Aluminum, Powder Finish

REPLACEMENT GLOBE ASSEMBLIES

	CATALOGUE NO.	DESCRIPTION
	XGSA15	Hazlux M5 replacement globe assembly 35-150 watts

REFLECTORS

	CATALOGUE NO.	DESCRIPTION
	VR15P	Standard Dome Fiber Glass Reinforced Polyester
	VRA15P	30° Angle Reflector Fiberglass Reinforced Polyester

M5

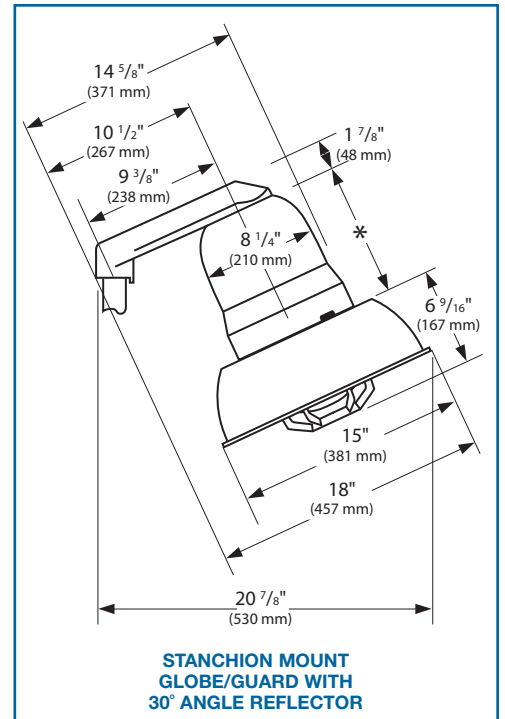
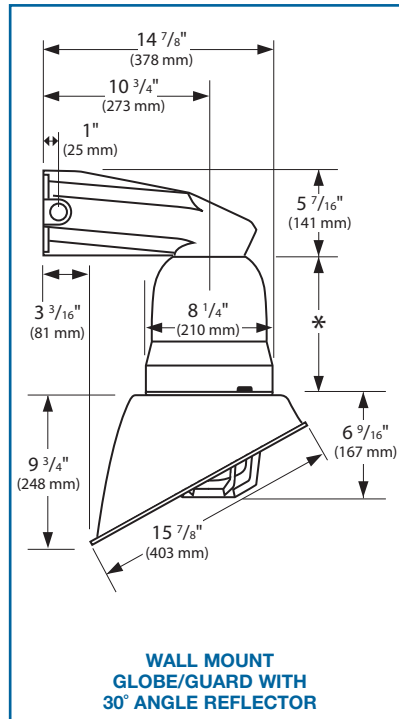
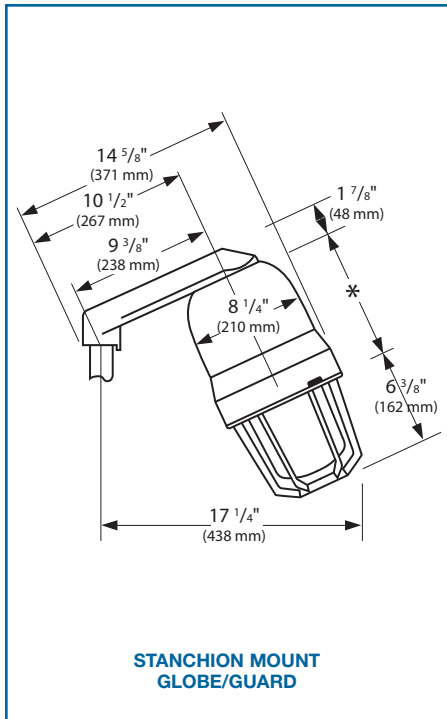
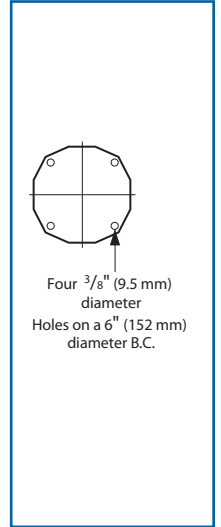
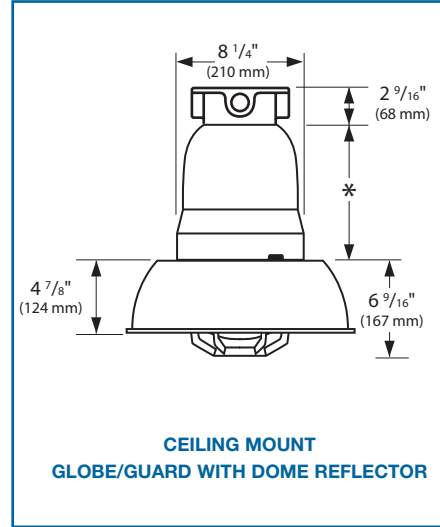
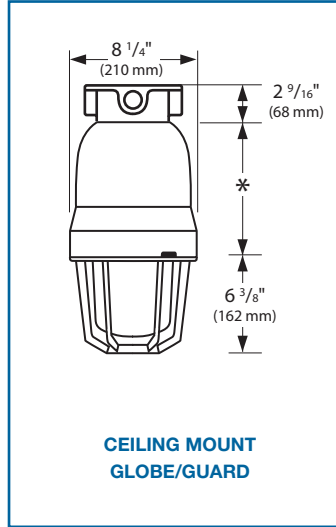
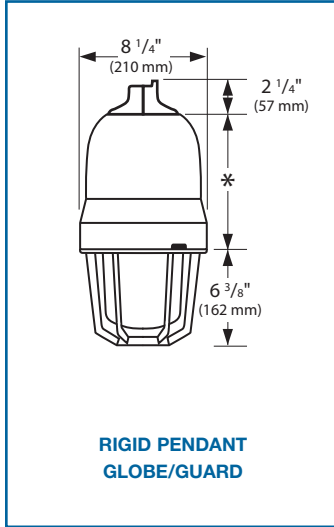


- Class I — Division 1, Groups C and D
- Zone 2, Groups IIC, IIB, IIA,
- Division 2, Groups A, B, C and D
- Class II — Division 1 and 2, Groups E, F and G



- UL Listed (UL1598) for Marine Locations
- NEMA 4X, IP66

Hazlux M5 Dimensions



* Tank Dim: HPS 9" / 229 mm, Incandescent and Fluorescent 5 11/16" / 144 mm