

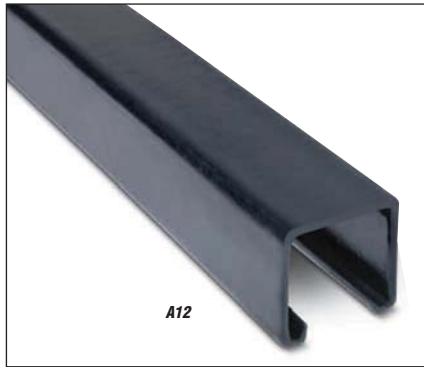
Rugged steel channels protected by corrosion-resistant PVC!

Ocal PVC-Coated Steel Strut

Ocal™ Corrosion Protection for Electrical Conduit and Fittings



A12A

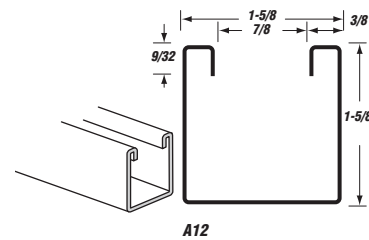


A12

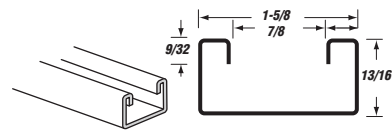


A12P

- Channels cold formed from hot-rolled pickled and oiled strip steel.
- Nominal .015" (15 mils) PVC coating.
- PVC coating available in your choice of blue, white or grey standard colours.
- Custom colours also available on request.
- Sold in 10 ft. (3.048 m) lengths with standard length tolerance of ± 1/8" (3.18 mm).
- Choose between standard 15/8" (41.28 mm) and shallow 13/16" (20.64 mm) depths.
- Available in both solid and punched styles.
- Available in 316 stainless steel (contact your Regional Sales Office).
- Strut accessories also available PVC Coated (contact your Regional Sales Office).



A12



C14

Cat. No.	Colour
A12-	—
	SA = Aluminum
	— = space for colour identifier
G =	Grey
W =	White
B =	Blue
Catalogue No. Example: C14P-W is shallow punched strut channel coated in white PVC.	Custom colours also available - Std. min. quantities are required. Please contact your Regional Sales Office.

Cat. No.	Style	Steel Gauge (mm)	in. (mm)	
			W	H
A12-	Standard	12 (2.65)	1.63 x 1.63 (41.28 x 41.28)	
A12A-	Back to Back	12 (2.65)	1.63 x 3.25 (41.28 x 82.55)	
A12P-	Standard Punched	12 (2.65)	1.63 x 1.63 (41.28 x 41.28)	
C14-	Shallow	14 (1.89)	1.63 x 0.81 (41.28 x 20.64)	
C14P-	Shallow Punched	14 (1.89)	1.63 x 0.81 (41.28 x 20.64)	

Continuously threaded rods for use with conduit hangers and strut to suspend overhead conduit runs.

Ocal PVC-Coated Steel Strut



PVC-Coated All-Thread Rod

All-Thread Rods

- All-thread steel rods coated with nominal .015" (15 mils) PVC in blue, white or grey; custom colours available on request.
- Available in 1/4", 3/8" or 1/2" standard diameters and in 3-, 6- or 10-ft. standard lengths.
- Also available uncoated in Type 316 stainless steel.

Ocal PVC-Coated Steel All-Thread Rods

Cat. No.	Trade Size in. (mm)	Length ft. (m)
THR1/4X10- <u> </u>	1/4 (6.35)	10.00 (3.05)
THR3/8X3- <u> </u>	3/8 (9.53)	3.00 (0.91)
THR3/8X6- <u> </u>	3/8 (9.53)	6.00 (1.83)
THR3/8X10- <u> </u>	3/8 (9.53)	10.00 (3.05)
THR1/2X3- <u> </u>	1/2 (12.70)	3.00 (0.91)
THR1/2X6- <u> </u>	1/2 (12.70)	6.00 (1.83)
THR1/2X10- <u> </u>	1/2 (12.70)	10.00 (3.05)

Cat. No.	Diameter X Length	Colour
THR3/8X3-		<u> </u>
		<u> </u> = space for colour identifier
	G =	Grey
	W =	White
	B =	Blue
Catalogue No. Example: NPL3/4X6-G is 3/4" x 6" long steel nipple coated in grey PVC.		
<i>Custom colours also available - Std. min. quantities are required. Please contact your Regional Sales Office.</i>		

Ocal™ Corrosion Protection for Electrical Conduit and Fittings

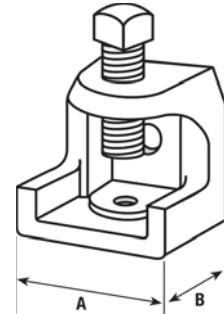
Corrosion-protected clamps for hanging threaded rod.

Ocal PVC-Coated Hanger Rod Beam Clamps



500-G
Hanger Rod Beam Clamp

- Malleable iron construction.
- Nominal .015" (15 mils) PVC coating in blue, white, grey or custom colours.
- 500, 502 and 503 also available uncoated in Type 316 stainless steel; add -SS316 to catalogue number to order (for example: 502-SS316).



Cat. No.	Colour
500-	—
— = space for colour identifier	
G =	Grey
W =	White
B =	Blue
Custom colours also available - Std. min. quantities are required. Please contact your Regional Sales Office.	

Cat. No.	Base "A" in. (mm)	Base "B" in. (mm)	Jaw Opening in. (mm)	Tapped Hole in. (mm)	Load Rating‡ lb. (kg)
500- _—	1 (25.40)	1-1/4 (31.75)	15/16 (23.81)	1/4 - 20 (6.35 - 20)	450 (204.12)
501- _—	1-1/2 (38.10)	1-5/8 (41.28)	7/8 (22.23)	15/16 - 18 (7.94 - 18)	800 (362.87)
502- _—	2 (50.80)	2 (50.80)	1 (25.40)	3/8 - 16 (9.53 - 16)	1300 (589.67)
503- _—	2-5/8 (66.68)	2-1/2 (63.50)	1 (25.40)	1/2 - 13 (12.70 - 13)	1300 (589.67)
508- _—	2-1/2 (63.50)	2-3/8 (60.33)	2-1/8 (53.98)	1/2 - 13 (12.70 - 13)	1700 (771.11)

‡ Load ratings based on bottom hole of beam clamp with safety factor of three.
Metric size designator (ANSI C80.1-1994).

Ocal™ Corrosion Protection for Electrical Conduit and Fittings



MINE3/4-G
Mini Conduit Hanger

Includes stainless steel bolt and nut for fast, easy installation.

Ocal PVC-Coated Mini Conduit Hangers

- Nominal .015" (15 mils) PVC coating in blue, white, grey or custom colours
- Rated for loads of up to 500 lb. (226.80 kg) with a safety factor of three

Cat. No.	Colour
MINE1-	—
— = space for colour identifier	
G =	Grey
W =	White
B =	Blue
Custom colours also available - Std. min. quantities are required. Please contact your Regional Sales Office.	

Cat. No.	Pipe Size in. (mm)
MINE1/2- _—	1/2 (16)
MINE3/4- _—	3/4 (21)
MINE1- _—	1 (27)
MINE1-1/4- _—	1-1/4 (35)
MINE1-1/2- _—	1-1/2 (41)

Metric size designator (ANSI C80.1-1994).

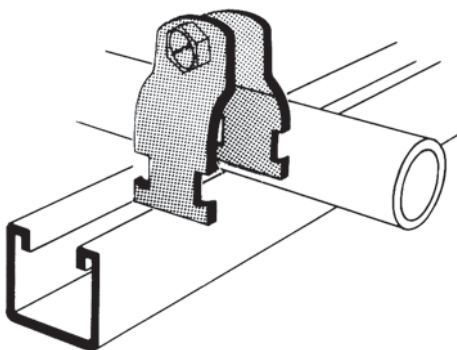
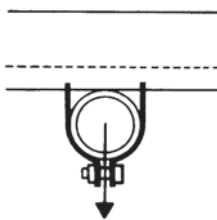
Cat. No.	Pipe Size in. (mm)
MINE2- _—	2 (53)
MINE2-1/2- _—	2-1/2 (63)
MINE3- _—	3 (78)
MINE3-1/2- _—	3-1/2 (91)
MINE4- _—	4 (103)

Designed for easy attachment of conduit to strut!

Pipe Straps for Strut

Just twist-insert these pipe straps anywhere you need them along the slot side of a channel. For additional flexibility, you can position the straps as closely as your pipe couplings permit.

- Combination slot and hex head bolt for flexibility of attachment.
- Captivated square nut on shoulder enables easy one-handed tightening.
- Use with either 1-5/8" or 1-1/2" strut for greater versatility.
- Shipped pre-assembled for easier counting, sorting and handling.
- Available with nominal .015" (15 mils) PVC coating in your choice of blue, white or grey standard colours (custom colours also available on request).
- Uncoated pipe straps are available by ordering Series 700 and adding Type 316 stainless steel.



Ocal PVC-Coated Strut Pipe Straps

Cat. No.	Pipe Size in. (mm)
SS1/2- <u> </u>	1/2 (16)
SS3/4- <u> </u>	3/4 (21)
SS1- <u> </u>	1 (27)
SS1-1/4- <u> </u>	1-1/4 (35)
SS1-1/2- <u> </u>	1-1/2 (41)
SS2- <u> </u>	2 (53)
SS2-1/2- <u> </u>	2-1/2 (63)
SS3- <u> </u>	3 (78)
SS3-1/2- <u> </u>	3-1/2 (91)
SS4- <u> </u>	4 (103)
SS5- <u> </u>	5 (129)

Metric size designator (ANSI C80.1-1994).



PVC-Coated Pipe Strap

Cat. No.	Colour
SS1-	—
— = space for colour identifier	
G =	Grey
W =	White
B =	Blue

Custom colours also available - Std. min. quantities are required. Please contact your Regional Sales Office.

Ocal™ Corrosion Protection for Electrical Conduit and Fittings