

SECTION 5

Pipe Straps, Pipe Clamps and Hangers

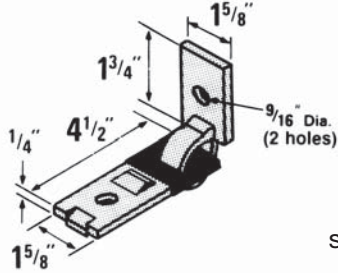
Seismic Bracing

Consult Superstrut® seismic Hanger Bulletin (GM141) for additional information

C749N

Seismic Brace

Standard Finish - GoldGalv®

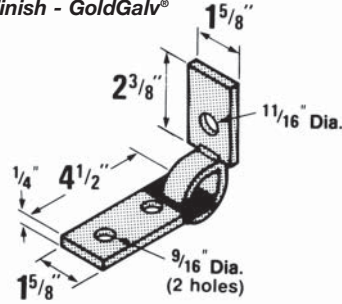


1650 lb. load
safety factor 3
Wt./C 61 lb

C749N-5/8

Seismic Brace

Standard Finish - GoldGalv®

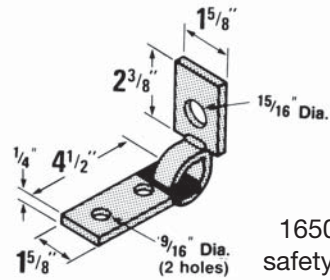


1650 lb. load
safety factor 3
Wt./C 56 lb

C749N-7/8

Seismic Brace

Standard Finish - GoldGalv®

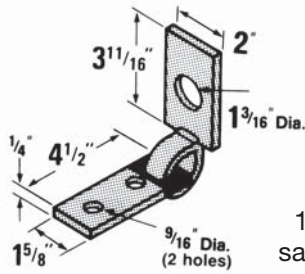


1650 lb. load
safety factor 3
Wt./C 74 lb

C749N-1 1/8

Seismic Brace

Standard Finish - GoldGalv®



1650 lb. load
safety factor 3
Wt./C 72 lb

ES142

Standard Finish - GoldGalv®

Cat. No.	Bolt Dia.	Wt./C lb
ES-142-1/2 x 1-1/2	1/2	21



Seismic bracing rod
stiffener connector.
Wt./C 21 lb

All braces have plastisol coating on the flat member.

Plastisol insulates against vibration noise transmission and eliminates rattle at the connection points.

S720

Adjustable Pipe Hanger

Standard Finish - GoldGalv®

Approved for seismic applications. Order by catalogue number and pipe size.

Example: S720-3/4

Pipe Size	Rod Size	Adjustment	Bolt Centers	Overall Dimensions	Bolt Size	Design Load lb	Wt./C lb
3/4	3/8	1-5/8	4-1/2	3/16x1-1/4	1/2 - 1-1/4	550	136
1	3/8	1-1/2	4-1/2	3/16x1-1/4	1/2 - 1-1/4	550	138
1-1/4	3/8	1-3/8	5	3/16x1-1/4	1/2 - 1-1/4	550	195
1-1/2	3/8	1-1/2	4-1/2	3/16x1-1/4	1/2 - 1-1/4	550	201
2	3/8	1-1/2	5	1/4x1-1/4	1/2 - 1-1/4	700	217
2-1/2	1/2	2-1/8	5-5/8	1/4x1-1/4	1/2 - 1-1/4	700	229
3	1/2	2-1/4	6-1/4	1/4x1-1/4	1/2 - 1-1/4	1100	250
3-1/2	1/2	2-1/4	6-3/4	1/4x1-1/4	1/2 - 1-1/4	1100	330
4	1/2	2-1/4	7-1/4	1/4x1-1/4	1/2 - 1-1/4	1300	342
5	5/8	2-1/4	8-1/2	1/4x1-1/2	5/8 - 1-1/2	1600	493
6	5/8	2-1/4	9-1/2	1/4x1-1/2	5/8 - 1-1/2	1600	526
8	3/4	2-1/8	11-1/2	1/4x2	3/4 - 2	2000	986

