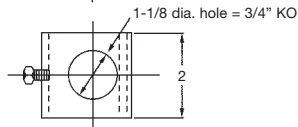
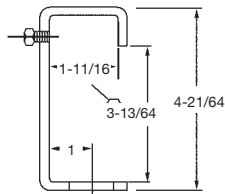
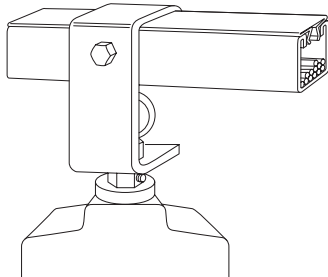


Kindorf® Fixture Accessories

G1017

Mercury Vapor Hanger



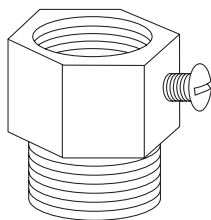
Used with Channel	Depth in.	Wt./C lb
A-1200	4-1/4"	76

Finish - GoldGalv®

To support high or low bay mercury vapor or heavy incandescent fixtures from raceway channels. Permits plug-in connections with G-1038 raceway outlets.

G972HB1/2

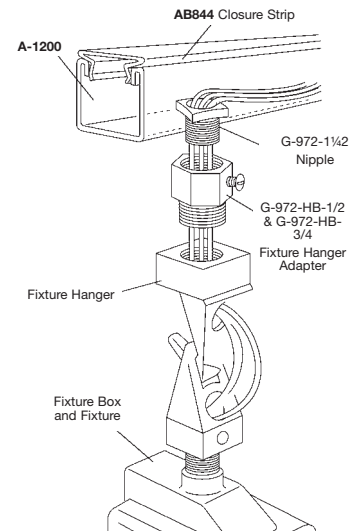
Steel Fixture Hanger Adapter



Finish - GoldGalv®

The hanger adapter securely mounts the fixture hanger or box to the channel through the 1/2" KO in the base. No special tools are needed for installation of fittings and fixtures. Superstrut® channels, with 1/2" KO's every 6", hangs and feeds the fixtures thereby simplifying installation.

Wt./C 17 lb



Electrical Applications

