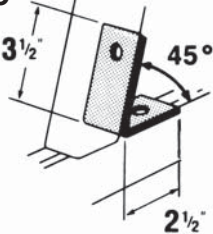
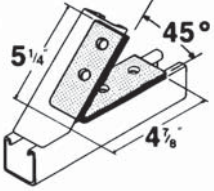
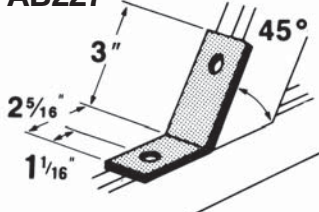
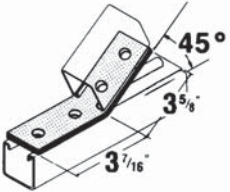
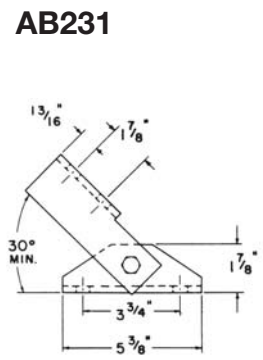
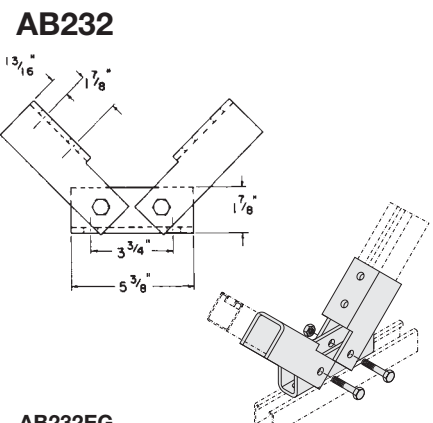
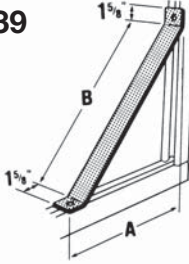


**Fittings and Brackets**

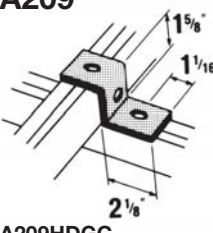
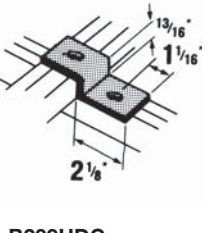
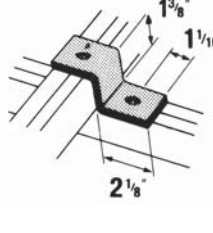
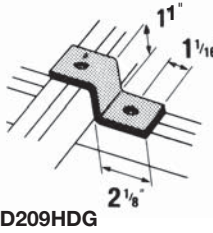
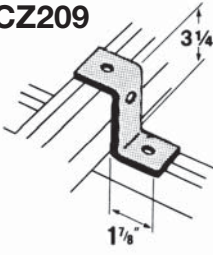
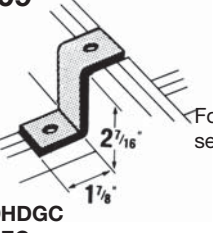
**SECTION 3**

**Angular Fittings**

<p><b>AB225</b></p>  <p>Other angles available. Contact Customer Service. <b>AB225HDGC</b> <b>AB225EG</b> <b>AB225</b> <b>AB225SS6</b>      Wt./C 58 lb</p>	<p><b>AB226</b></p>  <p>Other angles available. Contact Customer Service. <b>AB226HDGC</b> <b>AB226SS6</b>      Wt./C 119 lb</p>	<p><b>AB227</b></p>  <p>Other angles available. Contact Customer Service. <b>AB227HDGC</b> <b>AB227EG</b> <b>AB227</b> <b>AB227SS6</b>      Wt./C 58 lb</p>	<p><b>AB228</b></p>  <p>Other angles available. Contact Customer Service. <b>AB228HDGC</b> <b>AB228SS6C</b>      Wt./C 69 lb</p>
--	---	---	---

<p><b>AB231</b></p>  <p><b>AB231EG</b></p>	<p><b>AB232</b></p>  <p><b>AB232EG</b></p>	<p><b>AB239</b></p>  <p>*Finishes HDGC GoldGalv® EG</p> <table border="1"> <thead> <tr> <th>Cat. No.</th> <th>A</th> <th>B</th> <th>Wt./C lb</th> </tr> </thead> <tbody> <tr> <td><b>AB239-1*</b></td> <td>7-13/16</td> <td>8-1/2</td> <td>148</td> </tr> <tr> <td><b>AB239-2*</b></td> <td>13-3/4</td> <td>17</td> <td>255</td> </tr> <tr> <td><b>AB239-3*</b></td> <td>19-3/4</td> <td>25-1/2</td> <td>363</td> </tr> </tbody> </table>	Cat. No.	A	B	Wt./C lb	<b>AB239-1*</b>	7-13/16	8-1/2	148	<b>AB239-2*</b>	13-3/4	17	255	<b>AB239-3*</b>	19-3/4	25-1/2	363
Cat. No.	A	B	Wt./C lb															
<b>AB239-1*</b>	7-13/16	8-1/2	148															
<b>AB239-2*</b>	13-3/4	17	255															
<b>AB239-3*</b>	19-3/4	25-1/2	363															

**“Z” Shape Fittings**

<p><b>A209</b></p>  <p>For attaching A and AR series channel.</p> <p><b>A209HDGC</b> <b>A209EG</b> <b>A209</b> <b>A209SS6</b>      Wt./C 55 lb</p>	<p><b>B209</b></p>  <p>For attaching B and BR series channel.</p> <p><b>B209HDG</b> <b>B209EG</b> <b>B209</b>      Wt./C 43 lb</p>	<p><b>C209</b></p>  <p>For attaching C series channel.</p> <p><b>C209</b>      Wt./C 49 lb</p>
<p><b>D209</b></p>  <p>For attaching D series channel.</p> <p><b>D209HDG</b> <b>D209EG</b> <b>D209</b>      Wt./C 45 lb</p>	<p><b>CZ209</b></p>  <p>For attaching H series and A back to back.</p> <p><b>CZ209EG</b> <b>CZ209</b>      Wt./C 70 lb</p>	<p><b>EZ209</b></p>  <p>For attaching E series channel.</p> <p><b>EZ209HDGC</b> <b>EZ209EG</b> <b>EZ209</b> <b>EZ209SS6</b>      Wt./C 70 lb</p>

<b>Standard Dimensions</b>	Hole Spacing Hole Spacing Hole Size Material	13/16" From End 1-7/8" Centers 9/16" Diam. 1-5/8" Width 1/4" Thick	<b>Materials</b>	HDG(C) EG(C) (No suffix) SS6(C)	Hot-Dipped Galvanized ElectroGalvanized GoldGalv® Stainless Steel 316
----------------------------	---	--	------------------	--	--