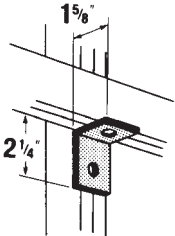
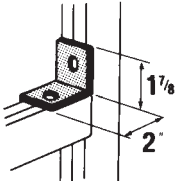
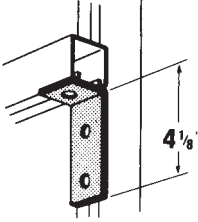
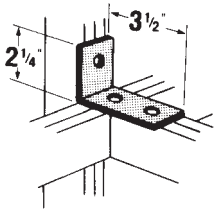
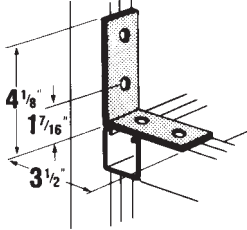
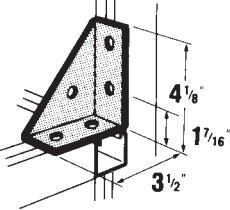
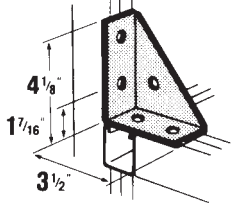
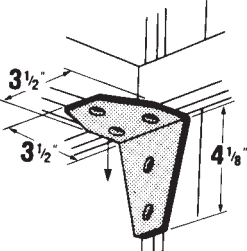
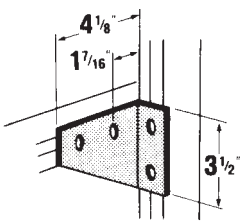
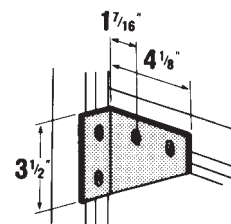
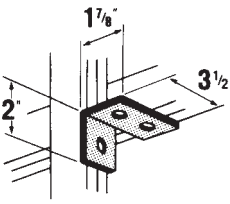
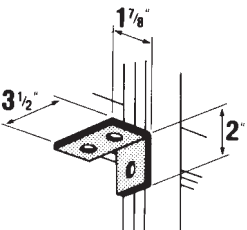
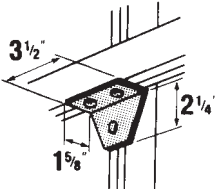
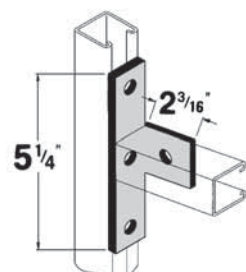


**Fittings and Brackets**

**SECTION 3**

**90° Fittings**

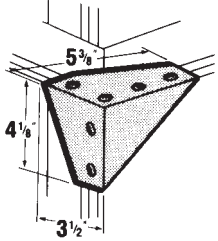
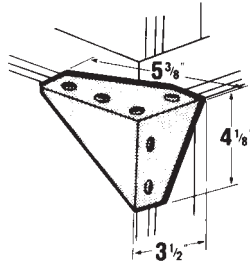
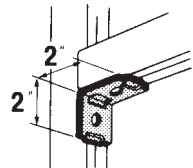
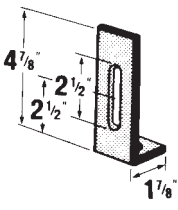
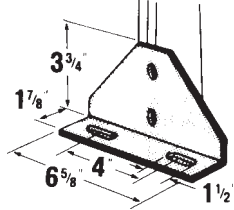
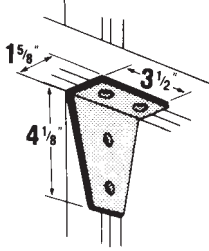
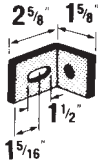
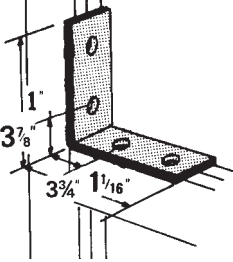
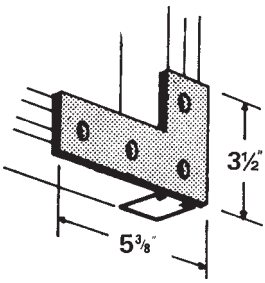
<p><b>AB201</b></p>  <p>AB201HDGC AB201EG AB201 AB201SS6C</p> <p>Wt./C 35 lb</p>	<p><b>AB202</b></p>  <p>AB202HDGC AB202EG AB202 AB202SS6C</p> <p>Wt./C 35 lb</p>	<p><b>AB203</b></p>  <p>AB203HDGC AB203EG AB203 AB203SS6C</p> <p>Wt./C 58 lb</p>															
<p><b>AB204</b></p>  <p>AB204HDGC AB204EG AB204 AB204SS6</p> <p>Wt./C 58 lb</p>	<p><b>AB205</b></p>  <p>AB205HDGC AB205EG AB205 AB205SS6C</p> <p>Wt./C 78 lb</p>	<p><b>AB213</b></p>  <p>AB213HDGC AB213EG AB213</p> <p>Wt./C 125 lb</p>															
<p><b>AB214</b></p>  <p>AB214HDGC (4 holes only no gusset hole) AB214EG AB214 AB214SS6</p> <p>Wt./C 125 lb</p>	<p><b>AB216</b></p>  <p>AB216HDGC AB216EG AB216SS6C</p> <p>Wt./C 135 lb</p>	<p><b>AB252</b></p> <p>*Finishes HDGC GoldGalv® EG</p> <table border="1"> <thead> <tr> <th>Cat. No.</th> <th>A</th> <th>Wt./C lb</th> </tr> </thead> <tbody> <tr> <td>AB252-1*</td> <td>3-7/8</td> <td>61</td> </tr> <tr> <td>AB252-2*</td> <td>5-7/8</td> <td>84</td> </tr> <tr> <td>AB252-3*</td> <td>7-7/8</td> <td>107</td> </tr> <tr> <td>AB252-4*</td> <td>9-7/8</td> <td>130</td> </tr> </tbody> </table>	Cat. No.	A	Wt./C lb	AB252-1*	3-7/8	61	AB252-2*	5-7/8	84	AB252-3*	7-7/8	107	AB252-4*	9-7/8	130
Cat. No.	A	Wt./C lb															
AB252-1*	3-7/8	61															
AB252-2*	5-7/8	84															
AB252-3*	7-7/8	107															
AB252-4*	9-7/8	130															
<p><b>AB254R</b></p>  <p>AB254RHDGC AB254REG AB254R</p> <p>Wt./C 105 lb</p>	<p><b>AB254L</b></p>  <p>AB254LHDGC AB254LEG AB254L</p> <p>Wt./C 105 lb</p>	<p><b>AB260R</b></p>  <p>AB260RHDGC AB260REG AB260R</p> <p>Wt./C 58 lb</p>															
<p><b>AB260L</b></p>  <p>AB260LHDGC AB260LEG AB260L</p> <p>Wt./C 58 lb</p>	<p><b>AB274</b></p>  <p>AB274HDG AB274EG AB274</p> <p>Wt./C 70 lb</p>	<p><b>AB275</b></p>  <p>AB275HDGC AB275EG AB275SS6C</p> <p>Wt./C 77 lb</p>															

<b>Standard Dimensions</b>	Hole Spacing	13/16" From End	<b>Materials</b>	HDG(C)	Hot-Dipped Galvanized	
	Hole Spacing	1-7/8" Centers		EG(C)		Electrogalvanized
	Hole Size	9/16" Diam.		(No suffix)		GoldGalv®
	Material	1-5/8" Width		SS6(C)		Stainless Steel 316
	Material	1/4" Thick				

**SECTION 3**

**Fittings and Brackets**

**90° Fittings**

<p><b>AB284R</b></p>  <p>AB284RHDG AB284REG AB284R</p> <p>Wt./C 230 lb</p>	<p><b>AB284L</b></p>  <p>AB284LHDG AB284LEG AB284L</p> <p>Wt./C 230 lb</p>	<p><b>AB299</b></p>  <p>AB299HDG AB299EG AB299</p> <p>Wt./C 40 lb</p>
<p><b>X201</b></p>  <p>X201HDG X201EG X201</p> <p>Wt./C 65 lb</p>	<p><b>X204</b></p>  <p>X204HDG X204EG X204</p> <p>Wt./C 1-90 lb</p>	<p><b>X289</b></p>  <p>X289HDGC X289EG X289</p> <p>Wt./C 105 lb</p>
<p><b>X299</b></p>  <p>X299HDGC X299EG X299</p> <p>Wt./C 38 lb</p>	<p><b>N205</b></p>  <p>N205HDGC N205EG N205 N205SS6C</p> <p>Wt./C 74 lb</p>	<p><b>N219</b></p>  <p>N219HDG N219EG N219 N219SS6</p> <p>Wt./C 71 lb</p>