

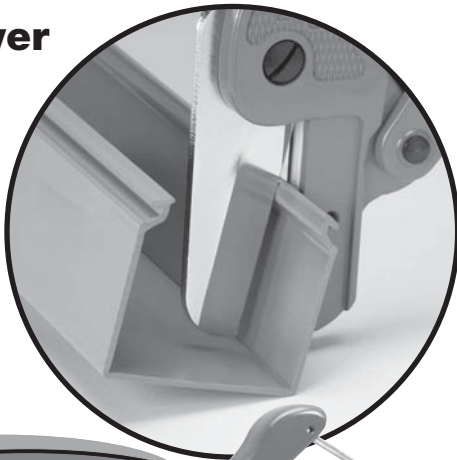
The wiring duct tools you need for every application!

Features include:

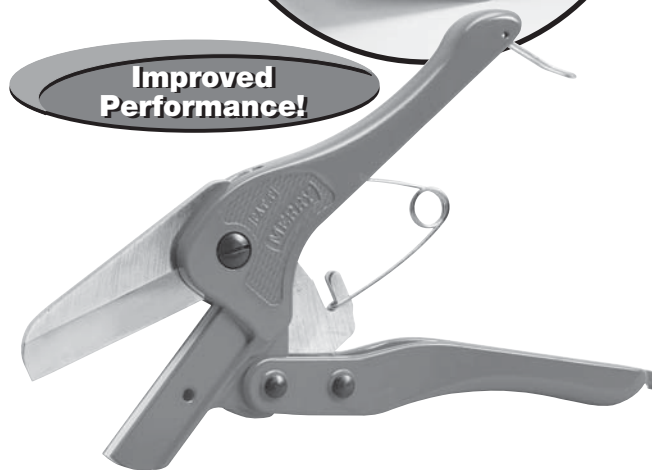
- Duct Cutting Tools for a clean professional finish
- Finger Cutting Tools that make modifications simple
- Notching Tools for duct sidewalls to facilitate tee and corner junctions
- Benchmount Cutting Tools for fast, high volume duct cutting
- Rivet Installation Tools for quick duct mounting

Lightweight and durable!

Duct/Cover Cutting Tool



Improved Performance!

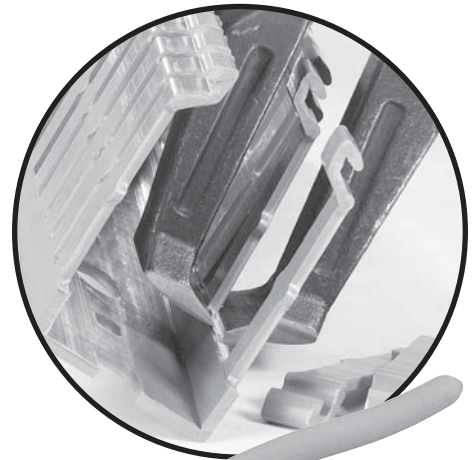


- All-steel construction
- Sharp cutting surface
- Replacement blades available

CAT. NO.	DESCRIPTION
SX-15TB	Handheld Duct Cutter

Cut duct fingers easily!

Finger Cutting Tool



- Rugged die-cast construction with insulated handles for a comfortable, non-slip grip
- Removes duct fingers in tight places
- Works with all slotted wiring duct
- Also cuts round and solid wall duct
- Spring loaded

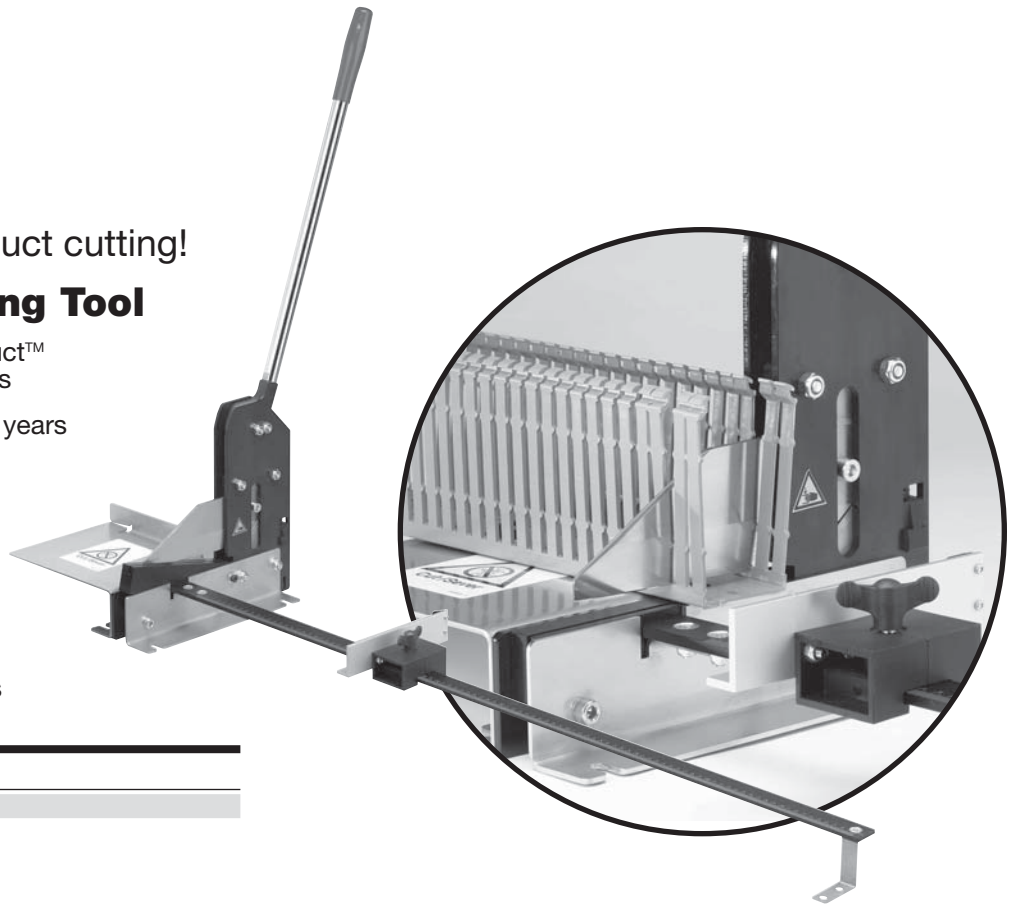
CAT. NO.	DESCRIPTION
DK-65TB	Duct Finger Cutter

Ty-Duct™ Tools

For fast, high volume duct cutting!

Benchmark Cutting Tool

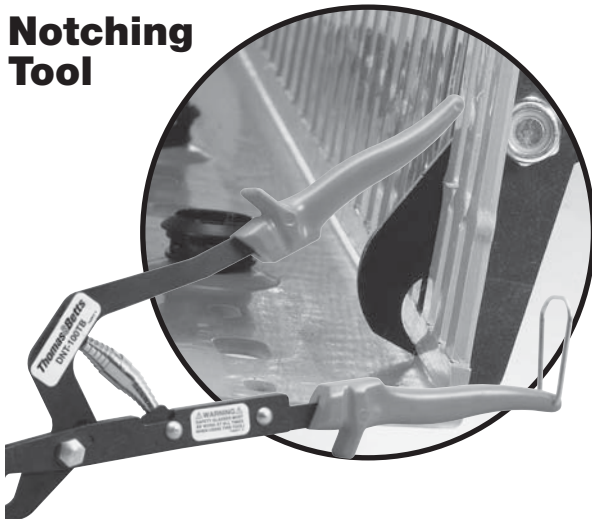
- Engineered for use with Ty-Duct™ plastic wiring ducts and covers
- All-steel construction lasts for years
- Adjustable gauge sets the desired length of duct
- Easy-to-read measuring indicator
- Adjustable stop for easy repeated cutting
- Sharp, easy-to-replace blades



CAT. NO.	DESCRIPTION
DC-125TB	Benchmark Duct Cutter

Notch duct sidewalls fast!

Notching Tool

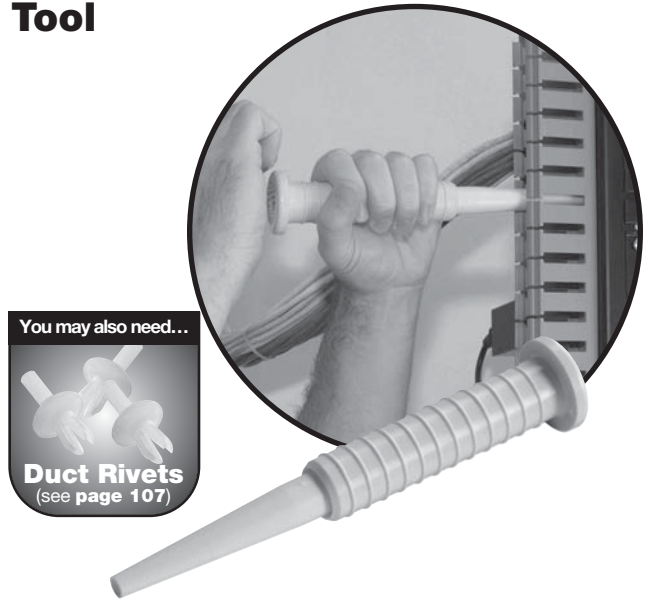


- Notches sidewalls to bottom scoreline
- Facilitates tee and corner junctions
- Rugged design
- Easy to use
- Spring loaded

CAT. NO.	DESCRIPTION
DNT-100TB	Duct Notching Tool

Mount ducts quickly!

Rivet Installation Tool



You may also need...
Duct Rivets
(see page 107)

- Use for setting duct rivets
- Pressure on the tool head secures the rivet in place

CAT. NO.	DESCRIPTION
08205	08200 Series Rivet Installation Tool