

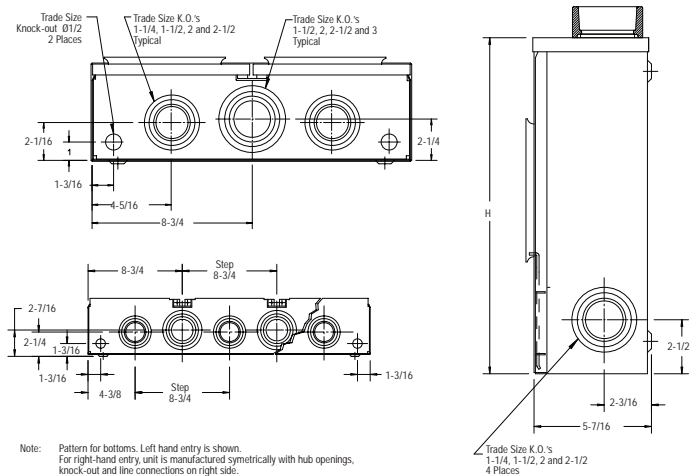
HORIZONTAL METER TROUGHS, 200 AMP. PER POSITION • 200 AMP. 600 VOLTS MAX. MAIN LUGS



### Product Specifications

- Conductor range: Line: 6 AWG-250 kcmil  
Load: 6 AWG-250 kcmil
- Aluminum tunnel type connectors
- Factory prebussed from main lugs to each position
- Supplied with hub opening closure plate for underground service
- Combination overhead underground
- Supplied with screw type ring
- Weatherproof Type 3R enclosure
- **Primarily used in:** All provinces

**NOTE:** Supply from an underground network often requires use of stud type receptacle. Consult your local utility.



### Ordering Information

Dimensions are in inches

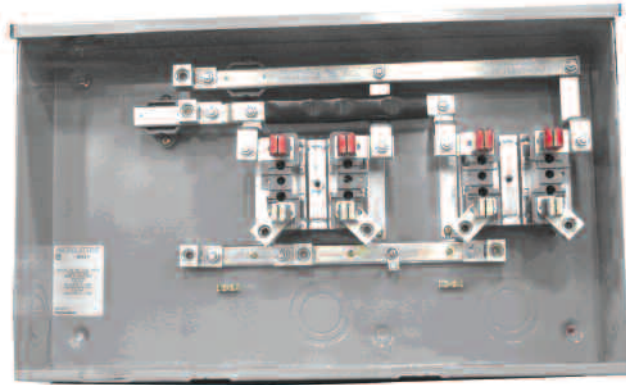
CATALOGUE NUMBER		METER POSITION	DIMENSIONS (inches)			WEIGHT EACH	
			H	W	D	lb	kg
<b>4 JAW</b>							
LEFT-HAND ENTRY	RIGHT-HAND ENTRY						
<b>BD2-V</b>	<b>BD2-VH</b>	2 position	15-1/2	17-1/2	5-7/16	23	10.4
<b>BD3-V</b>	<b>BD3-VH</b>	3 position	15-1/2	26-1/4	5-7/16	35	15.9
<b>BD4-V</b>	<b>BD4-VH</b>	4 position	15-1/2	35	5-7/16	47	21.3
<b>BD2-VBC</b>	<b>BD2-VBCH</b>	2 position for British Columbia	20	17-1/2	5-7/16	27	12.2

Approved for copper or aluminum.

# BDA2-V Series

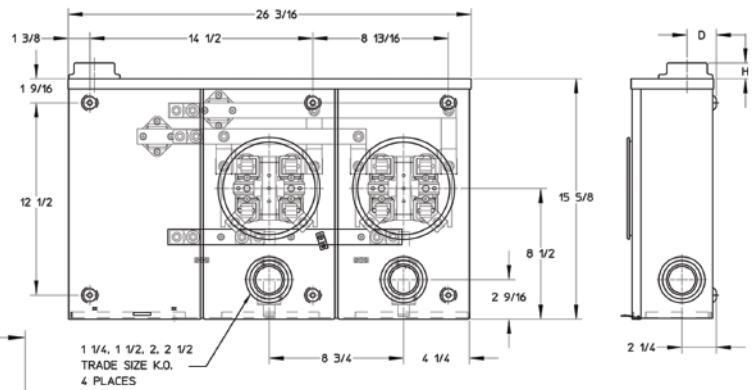
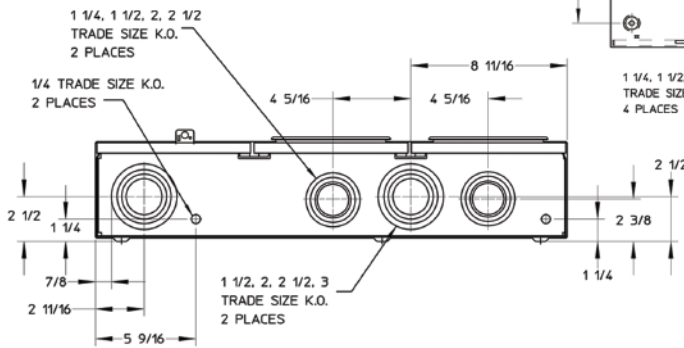
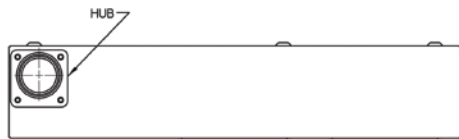


HORIZONTAL METER TROUGHS, 200 AMP. PER POSITION • 200 AMP. 600 VOLTS MAX. MAIN LUGS



### Product Specifications

- Conductor range: Line: Dual rated 6 AWG-250 kcmil  
Load: 6 AWG-250 kcmil
- Aluminum tunnel type connectors (load side)
- Combination overhead and underground
- Hub opening closure plate for underground service
- Supplied with screw type ring
- Weatherproof Type 3R enclosure
- Primarily used in Ontario



### Ordering Information

Dimensions are in inches

CATALOGUE NUMBER	METER POSITION	DIMENSIONS (inches)			WEIGHT EACH	
		H	W	D	lb	kg
<b>4 JAW</b>						
LEFT-HAND ENTRY	RIGHT-HAND ENTRY					
<b>BDA2-V</b>	<b>BDA2-VH</b>	2 position	15-5/8	26-3/16	5-1/4	31 14.6

Approved for copper or aluminum.

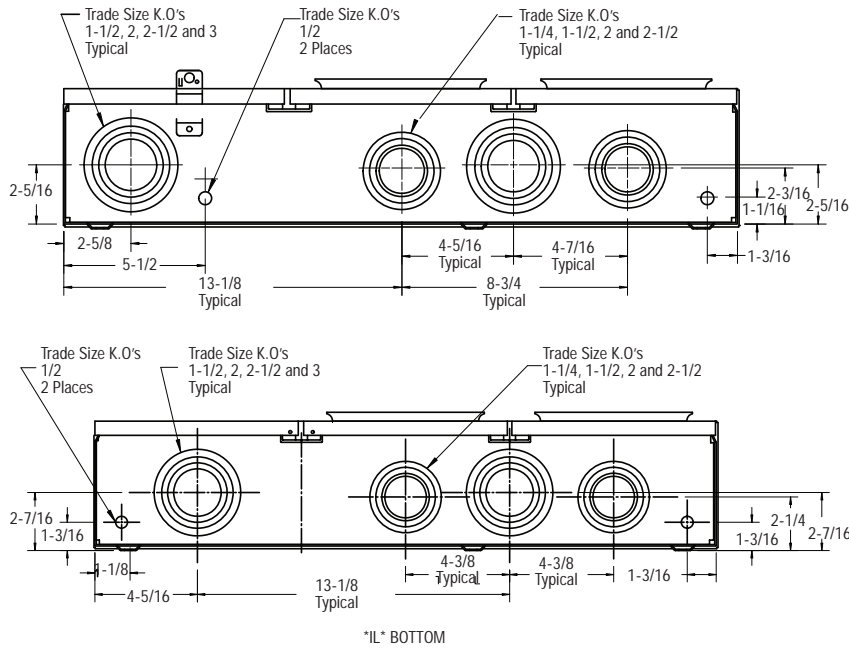
HORIZONTAL METER TROUGHS, 200 AMP. PER POSITION • 200 AMP. 600 VOLTS MAX. MAIN LUGS, STUD TYPE



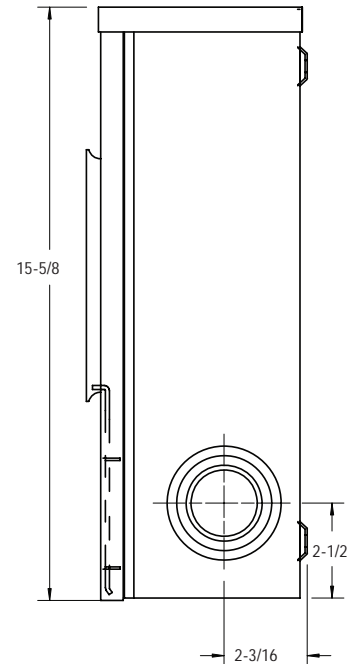
### Product Specifications

- Conductor range: Line: Single 1/2" studs to accommodate compression lugs  
Load: 6 AWG-250 kcmil
- For underground service only
- Aluminum tunnel type connectors (load side)
- Factory prebussed from main lugs to each position
- Supplied with screw type ring
- Weatherproof Type 3R enclosure

Hydro-Québec and BC Hydro require that the locking system be located inside the meter through.



Note: Pattern for bottoms. Left hand entry is shown.  
For right-hand entry, unit is manufactured symmetrically with hub openings, knock-out and line connections on right side.



Dimensions are in inches

Approved for copper or aluminum.

HORIZONTAL METER TROUGHS, 200 AMP. PER POSITION • 200 AMP. 600 VOLTS MAX. MAIN LUGS, STUD TYPE

## Ordering Information

CATALOGUE NUMBER		METER POSITION	DIMENSIONS (inches)			WEIGHT EACH	
			H	W	D	lb	kg
<b>4 JAW (For usage in the provinces of Quebec and British Columbia)</b>							
LEFT-HAND ENTRY	RIGHT-HAND ENTRY						
<b>BDC2-V</b>	<b>BDC2-VH</b>	2 position	15-5/8	26-1/4	5-1/4	30	13.6
<b>BDC3-V</b>	<b>BDC3-VH</b>	2 position	15-5/8	35	5-1/4	42	19.0
<b>BDC4-V</b>	<b>BDC4VH</b>	3 position	15-5/8	43-3/4	5-1/4	54	24.5

CATALOGUE NUMBER		METER POSITION	DIMENSIONS (inches)			WEIGHT EACH	
			H	W	D	lb	kg
<b>4 JAW (For usage in the provinces of Quebec and British Columbia)</b>							
LEFT-HAND ENTRY	RIGHT-HAND ENTRY						
<b>BDC2-VIL</b>	<b>BDC2-VHIL</b>	2 position	15-5/8	26-1/4	5-1/4	30	13.6
<b>BDC2-VAIL</b>		2 position c/w lug	15-5/8	26-1/4	5-1/4	30	13.6
<b>BDC3-VIL</b>		3 position	15-5/8	35	5-1/4	42	19.0
<b>BDC3-VAIL</b>		3 position c/w lug	15-5/8	35	5-1/4	42	19.0
<b>BDC4-VIL</b>		4 position	15-5/8	43-3/4	5-1/4	54	24.5
<b>BDC4-VAIL</b>		4 position c/w lug	15-5/8	43-3/4	5-1/4	54	24.5