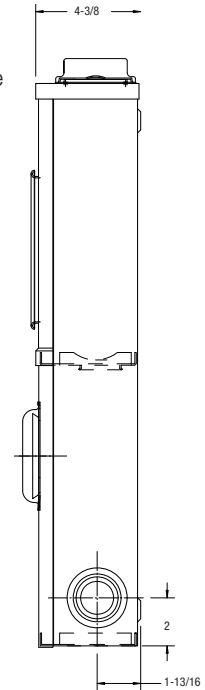
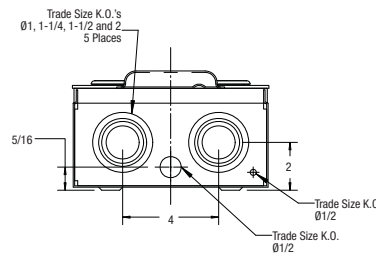


COMBINATION METER SOCKET & BREAKER • 100 AMP. 120/240 VOLTS MAX.



Product Specifications

- Conductor range: 6-1/0 AWG
- Aluminum tunnel type connectors
- Suitable for 120/240 volts single phase service entrance for mobile homes, trailers, temporary services, recreational parks and other commercial and residential locations
- Bottom compartment has provision for 2 pole circuit breakers (max. 100 Amp.) Siemens (Q), GE (TQL), Cutler Hammer (BR) and SQD (QO).
- Supplied with screw type ring
- Weatherproof Type 3R enclosure
- **Primarily used in:** All provinces



Dimensions are in inches

Ordering Information

CATALOGUE NUMBER	DESCRIPTION	DIMENSIONS (inches)			WEIGHT EACH	
		H	W	D	lb	kg
4 JAW						
C01	Provision for Siemens (Q), GE (TQL), Cutler Hammer (BR), 2 pole circuit breaker	23-1/2	8-1/4	4-3/8	15	6.8
C01-G	Provision for Siemens (Q), GE (TQL), Cutler Hammer (BR), 2 pole circuit breaker, c/w gutter	23-1/2	8-1/4	4-3/8	15	6.8
C01-5V	Provision for Siemens (Q), GE (TQL), c/w 5 th jaw	23-1/2	8-1/4	4-3/8	15	6.8
C01-60	Complete with Q260 Two pole common trip, 60 amp. breaker	23-1/2	8-1/4	4-3/8	15	6.8
C01-70	Complete with Q270 Two pole common trip, 70 amp. breaker	23-1/2	8-1/4	4-3/8	15	6.8
C01-100	Complete with Q2100 Two pole common trip, 100 amp. breaker	23-1/2	8-1/4	4-3/8	15	6.8
C01-100G	Complete with Q2100 Two pole common trip, 100 amp. breaker c/w gutter	23-1/2	8-1/4	4-3/8	15	6.8
C01-100 HI	100 amp. 22KA Siemens Breaker	23-1/2	8-1/4	4-3/8	15	6.8
C01-100 HI-G	100 amp. 22KA Siemens Breaker, c/w gutter	23-1/2	8-1/4	4-3/8	15	6.8
C01SD	Provision for Square D, type «QO», 2 pole circuit breaker	23-1/2	8-1/4	4-3/8	15	6.8
C01SD-G	Provision for Square D, type «QO», 2 pole circuit breaker, c/w gutter	23-1/2	8-1/4	4-3/8	15	6.8

C01 Multi-Gang

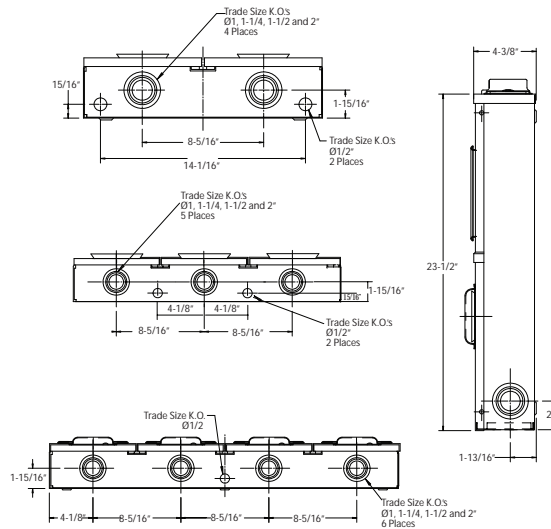


2, 3 & 4 MULTI-GANG COMBINATION METER SOCKET & BREAKER • 200 AMP. MAIN, 100 AMP. PER POSITION 120/240 VOLTS MAX



Product Specifications

- Conductor range: 6 AWG – 250 kcmil copper / aluminum
- Overhead only, tunnel type connectors only, no 1/2" studs
- Supplied with screw type ring
- Weatherproof Type 3R enclosure
- Bottom compartment has provision for 2 pole circuit breaker (max. 100 amp.) Seimens, Cutler Hammer, GE
- **Primarily used in:** Quebec only supplied with 22 kA Seimens breaker



Dimensions are in inches

Ordering Information

CATALOGUE NUMBER	DESCRIPTION	DIMENSIONS (inches)			WEIGHT EACH	
		H	W	D	lb	kg
4 JAW						
C012	2 gang with provision for 2 x 100 amp. type Q breakers	23-1/2	16-1/2	4-3/8	30	13.60
C012-100HI	2 gang with provision for 2 x 100 amp. type Q breakers c/w 22 kA Seimens breaker for Quebec	23-1/2	16-1/2	4-3/8	30	13.60
C012-SD	2 gang with provision for 2 x 100 amp. SQ D breakers	23-1/2	16-1/2	4-3/8	30	13.60
C013	3 gang with provision for 3 x 100 amp. type Q breakers	23-1/2	24-3/4	4-3/8	45	20.41
C013-100HI	3 gang with provision for 3 x 100 amp. type Q breakers c/w 22 kA Seimens breaker for Quebec	23-1/2	24-3/4	4-3/8	45	20.41
C013-100HI-U	Underground 3 gang with provision for 3 x 100 amp. type Q breakers c/w 22 kA Seimens breaker for Quebec	23-1/2	24-3/4	4-3/8	45	20.41
C013-SD	3 gang with provision for 3 x 100 amp. SQ D breakers	23-1/2	24-3/4	4-3/8	45	20.41
C014	4 gang with provision for 4 x 100 amp. type Q breakers	23-1/2	33-1/8	4-3/8	60	27.21
C014-100HI	4 gang with provision for 4 x 100 amp. type Q breakers c/w 22 kA Seimens breaker for Quebec	23-1/2	33-1/8	4-3/8	60	27.21
C014-SD	4 gang with provision for 4 x 100 amp. SQ D breakers	23-1/2	33-1/8	4-3/8	60	27.21