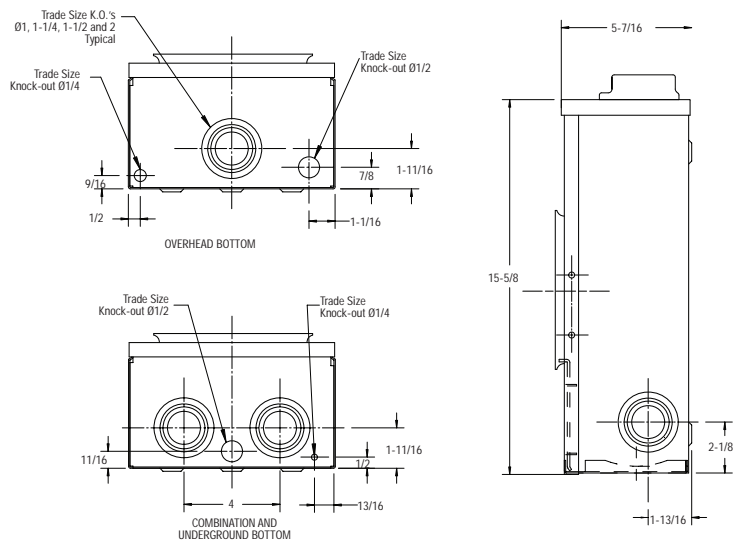


POLYPHASE METER SOCKETS • 100 AMP. 600 VOLTS MAX.



Product Specifications

- Conductor range: 6-1/0 AWG
- Aluminum tunnel type connectors
- Supplied with screw type ring
- Weatherproof Type 3R enclosure
- **Primarily used in:** All provinces



Dimensions are in inches

Ordering Information

CATALOGUE NUMBER	DESCRIPTION	DIMENSIONS (inches)			WEIGHT EACH	
		H	W	D	lb	kg
7 JAW						
PL17-INV	Overhead, hub opening	15-5/8	8-9/16	5-7/16	12	5.4
PL17-INV-HQ	Overhead, hub opening (Hydro-Quebec Spec)	15-5/8	8-9/16	5-7/16	12	5.4
PL17-INTV-HQ	Underground (Hydro-Quebec Spec)	15-5/8	8-9/16	5-7/16	12	5.4
PL17-INTCV	Combination overhead-underground	15-5/8	8-9/16	5-7/16	12	5.4
PL17-INTCV-HQ	Combination overhead-underground (Hydro-Quebec Spec)	15-5/8	8-9/16	5-7/16	12	5.4
PL17-V	Overhead, hub opening	15-5/8	8-9/16	5-7/16	12	5.4
PL17-TV	Underground	15-5/8	8-9/16	5-7/16	12	5.4
PL17-TCV	Combination overhead-underground	15-5/8	8-9/16	5-7/16	12	5.4
8 JAW						
PL17-8V	Overhead, hub opening	15-5/8	8-9/16	5-7/16	12	5.4
PL17-8TCV	Combination overhead-underground	15-5/8	8-9/16	5-7/16	12	5.4
FACTORY INSTALLED ACCESSORIES						
Include: -IN	Insulated neutral					

Approved for copper or aluminum.