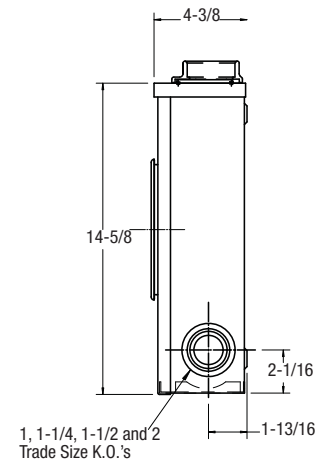
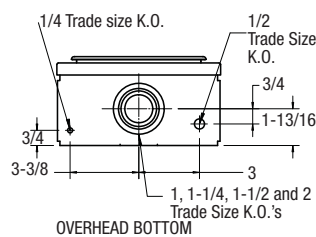
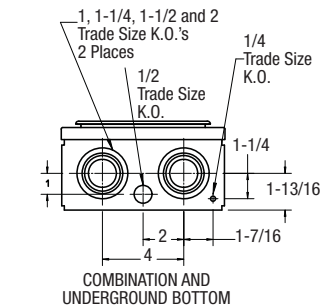


KING SIZE METER SOCKETS • 100 AMP. 600 VOLTS MAX.

Product Specifications

- Conductor range: 6-1/0 AWG
- Aluminum tunnel type connectors
- Supplied with screw type ring
- Weatherproof Type 3R enclosure
- **Primarily used in:** All provinces


NOTE: Supply from an underground network often requires use of stud type receptacle. Consult your local utility.



Dimensions are in inches

Ordering Information

CATALOGUE NUMBER	DESCRIPTION	DIMENSIONS (inches)			WEIGHT EACH	
		H	W	D	lb	kg
4 JAW						
BE1-V	Overhead, hub opening	14-5/8	8-1/4	4-3/8	8	3.6
BE1-1¹/₄V	Overhead, hub opening, c/w 1-1/4" hub	14-5/8	8-1/4	4-3/8	8	3.6
BE1-1¹/₂V	Overhead, hub opening, c/w 1-1/2" hub	14-5/8	8-1/4	4-3/8	8	3.6
BE1-TV	Underground	14-5/8	8-1/4	4-3/8	8	3.6
BE1-TCV	Combination overhead-underground	14-5/8	8-1/4	4-3/8	8	3.6
BE11-V-CM	Overhead, twin hub opening	14-5/8	8-1/4	4-3/8	8	3.6
BE11-1¹/₄V	Overhead, twin hub opening c/w 1-1/4" hub	14-5/8	8-1/4	4-3/8	8	3.6
FACTORY-INSTALLED ACCESSORIES						
Include: -5	5 th jaw, standard capacity, 9 o'c position					
-9	5 th jaw, full capacity, 9 o'c position					
-6	5 th jaw, full capacity, 6 o'c position					
-IN	Insulated neutral					
-W	Water heater lugs					

 Approved for copper or aluminum.

BE2 Series



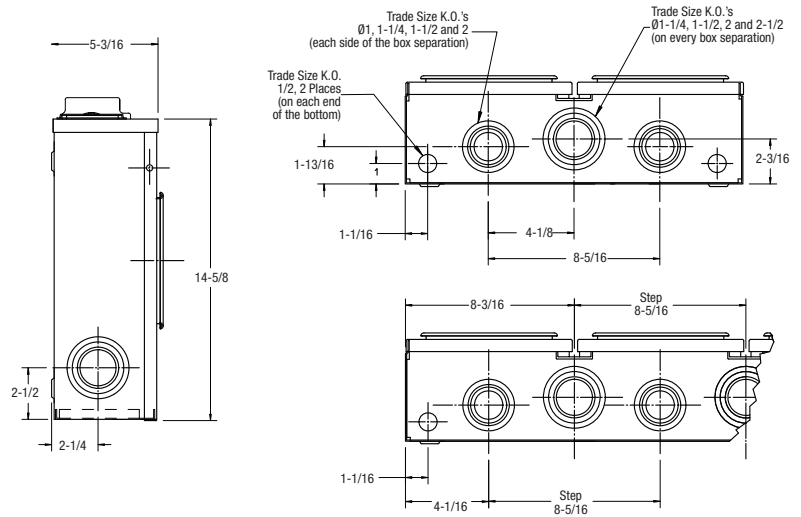
HORIZONTAL METER TROUGHS • 100 AMP. PER POSITION. • 200 AMP. 600 VOLTS MAX.



Product Specifications

- Conductor range: Line: 6 AWG-250 kcmil
Load: 6-1/0 AWG
- Aluminum tunnel type connectors
- Factory prebussed from main lugs to each position
- Combination overhead-underground supplied with hub opening closure plate for underground service
- Hubs to be ordered separately (refer to page 35)
- Supplied with screw type rings
- Weatherproof Type 3R enclosure
- **Primarily used in:** All provinces

NOTE: Supply from an underground network often requires use of stud type receptacle. Consult your local utility.



Dimensions are in inches

Ordering Information

CATALOGUE NUMBER		METER POSITION	DIMENSIONS (inches)			WEIGHT EACH	
			H	W	D	lb	kg
4 JAW							
LEFT-HAND ENTRY	RIGHT-HAND ENTRY						
BE2-V	BE2-VH	2 position	14-5/8	16-1/2	5-3/16	18	8.1
BE3-V	BE3-VH	3 position	14-5/8	24-13/16	5-3/16	26	11.8
BE4-V	BE4-VH	4 position	14-5/8	33-1/8	5-3/16	34	15.4
BE5-V	BE5-VH	5 position	14-5/8	41-7/16	5-3/16	42	19.0
BE6-V	BE6-VH	6 position	14-5/8	49-3/4	5-3/16	50	22.7
FACTORY-INSTALLED ACCESSORIES							
Include: -IN		Insulated Neutral					
-5		5 th jaw, standard capacity, 9 o'c position					

Approved for copper or aluminum.

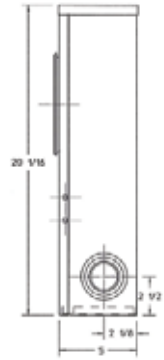
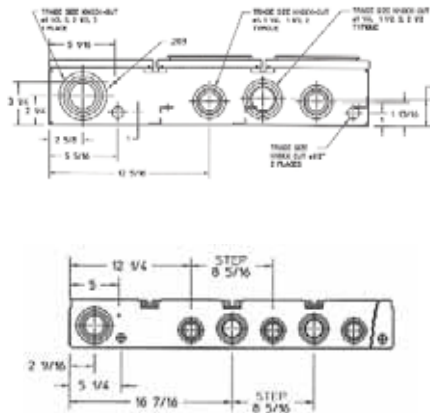
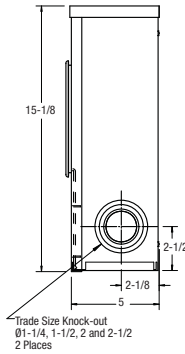
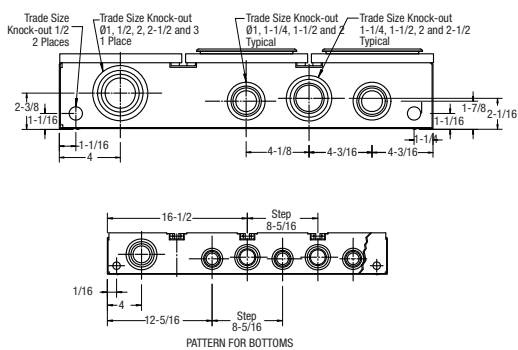
HORIZONTAL METER TROUGHS • 100 AMP. PER POSITION. • 200 AMP. 600 VOLTS MAX. MAIN LUGS STUD TYPE



Product Specifications

- Conductor range: Line: 1/2" studs supplied standard
Load: 6-1/0 AWG
- For underground service only
- Aluminum tunnel type connectors (load side)
- Factory prebussed from main lugs to each position
- Supplied with screw type rings
- Weatherproof Type 3R enclosure
- **Primarily used in:** B.C., *Sask., Man., Ont., Que.

NOTE: Models with suffix -VA = tunnel type connectors on line side provided instead of studs (required by B.C. Hydro)



Note: Pattern for bottoms. Left hand entry is shown. For right-hand entry, unit is manufactured symmetrically with hub openings, knock-out and line connections on right side.

Dimensions are in inches

Ordering Information

CATALOGUE NUMBER	METER POSITION	DIMENSIONS (inches)			WEIGHT EACH		
		H	W	D	lb	kg	
4 JAW							
LEFT-HAND ENTRY	RIGHT-HAND ENTRY						
BEC2-V	BEC2-VH	2 position	15-1/8	24-3/16	5	27	12.2
BEC2-VA	BEC2-VAH	2 position c/w connector	15-1/8	24-3/16	5	27	12.2
BEC2-VE*	BEC2-VEH	2 position	20-1/16	24-3/16	5	27	12.2
BEC3-V	BEC3-VH	3 position	15-1/8	33-1/8	5	35	15.9
BEC3-VA	BEC3-VAH	3 position c/w connector	15-1/8	33-1/8	5	35	15.9
BEC3-VE*		3 position	20-1/16	33-1/8	5	35	15.9
BEC4-V	BEC4-VH	4 position	15-1/8	41-7/16	5	43	19.5
BEC4-VA		4 position c/w connector	15-1/8	41-7/16	5	43	19.5
BEC4-VE*		4 position	20-1/16	41-7/16	5	43	19.5
BEC5-V	BEC5-VH	5 position	15-1/8	49-3/8	5	51	23.1
BEC6-V	BEC6-VH	6 position	15-1/8	57-5/8	5	59	26.8

Approved for copper or aluminum.