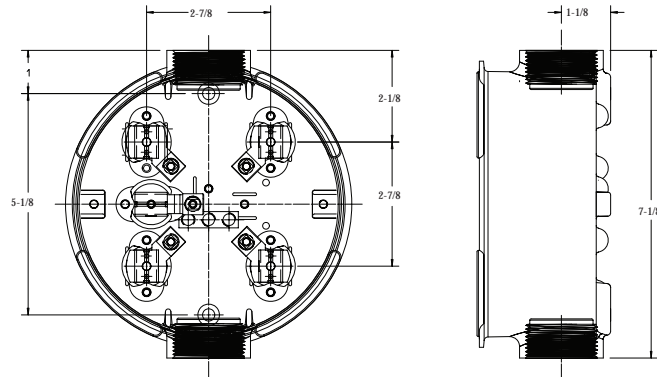


ROUND ALUMINUM METER SOCKETS • 100 AMP. 600 VOLTS MAX.



Product Specifications

- Conductor range: 14-2 AWG
- Aluminum tunnel type connectors
- Can be converted from vertical to horizontal mounting using same components
- Supplied with screw type ring
- Aluminum die cast socket
- Weatherproof Type 3R enclosure
- **Primarily used in:** B.C., Northern Ont.



Ordering Information

Dimensions are in inches

CATALOGUE NUMBER	DESCRIPTION	DIMENSIONS (inches)		WEIGHT EACH	
		Dia.	D	lb	kg
4 JAW					
R3-1V	1" hub	7-1/8	3-1/8	2	0.9
R3-1-1/4V	1-1/4" hub	7-1/8	3-1/8	2	0.9
R3-1-5V	1" hub - 5 th jaw, standard capacity, 9 o'clock position	7-1/8	3-1/8	2	0.9
R3-1 ¹ / ₄ -5V	1-1/4" hub - 5 th jaw, standard capacity, 9 o'clock position	7-1/8	3-1/8	2	0.9

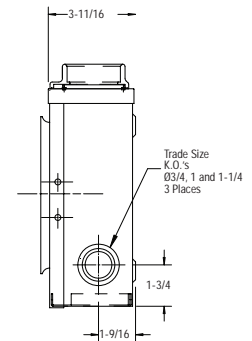
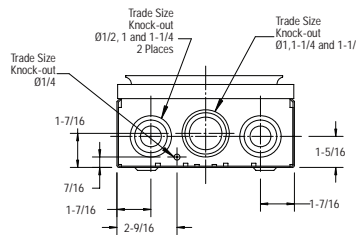
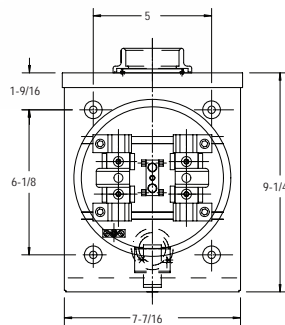
SHALLOW SQUARE METER SOCKETS • 100 AMP. 600 VOLTS MAX.



Product Specifications

- Conductor range: 6-2 AWG
- Aluminum tunnel type connectors
- Supplied with screw type ring
- Weatherproof Type 3R enclosure
- **Primarily used in:** All provinces

NOTE: Supply from an underground network often requires use of stud type receptacle. Consult your local utility.



Dimensions are in inches

Ordering Information

CATALOGUE NUMBER	DESCRIPTION	DIMENSIONS (inches)			WEIGHT EACH	
		H	W	D	lb	kg
4 JAW						
BA3-V	Overhead, hub opening	9-1/4	7-7/16	3-11/16	5	2.2
BA3-1V	Overhead, hub opening, c/w 1" hub	9-1/4	7-7/16	3-11/16	5	2.2
BA3-1¹/₄V	Overhead, hub opening, c/w 1-1/4" hub	9-1/4	7-7/16	3-11/16	5	2.2
BA3-TV	Underground	9-1/4	7-7/16	3-11/16	5	2.2
BA3-TCV	Combination overhead-underground	9-1/4	7-7/16	3-11/16	5	2.2
BA33-V	Overhead, twin hub opening	9-1/4	7-7/16	3-11/16	5	2.2
BA33-1V	Overhead, twin hub opening c/w 1" hubs	9-1/4	7-7/16	3-11/16	5	2.2
BA33-1¹/₄V	Overhead, twin hub opening, c/w 1-1/4" hubs	9-1/4	7-7/16	3-11/16	5	2.2
BA4-V	Indoor type, K.O. on top	9-1/4	7-7/16	3-11/16	5	2.2
FACTORY-INSTALLED ACCESSORIES						
Include: -IN	Insulated Neutral					
-5	5 th jaw, standard capacity, 9 o'clock position					
-9	5 th jaw, full capacity, 9 o'clock position					

Approved for copper only.