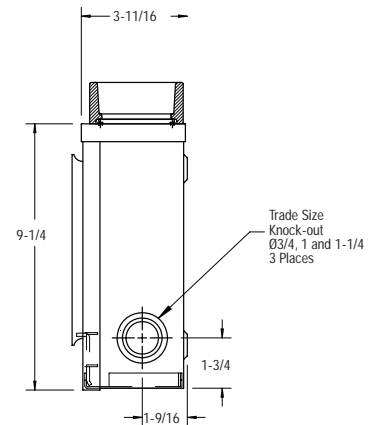
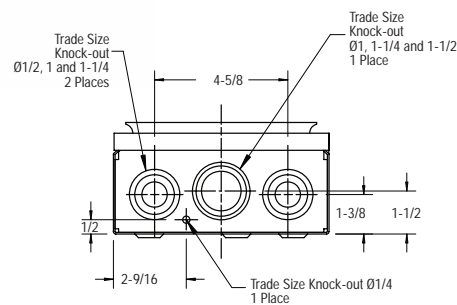


## TRANSFORMER RATED METER SOCKETS • 20 AMP. 600 VOLTS MAX.

### Product Specifications


- Conductor range: 14-10 AWG
- Circuit closing feature to short out current transformer upon removal of meter
- Supplied with screw type ring
- Weatherproof Type 3R enclosure
- **Primarily used in:** Sask., Man., Ont., N.B., N.S., P.E.I., NFLD



### Ordering Information

Dimensions are in inches

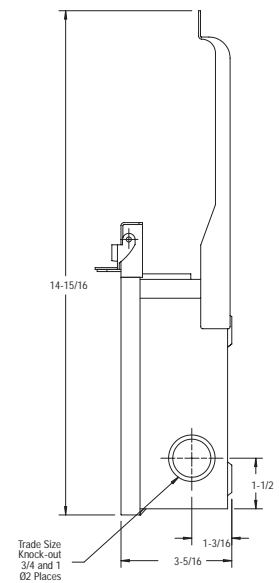
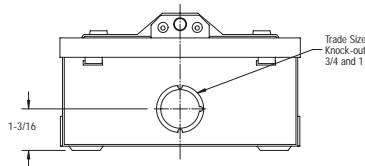
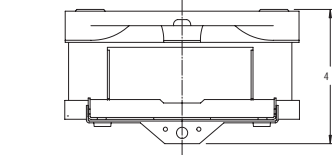
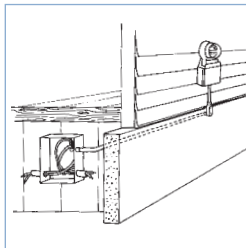
CATALOGUE NUMBER	DESCRIPTION	DIMENSIONS (inches)			WEIGHT EACH	
		H	W	D	lb	kg
<b>4 JAW</b>						
CL4-V	Circuit closing on left side	9-1/4	7-5/8	3-11/16	7	3.1
CL4-LRV	Circuit closing both left and right sides	9-1/4	7-5/8	3-11/16	7	3.1
CL4-TV	Circuit closing on left side, no hub opening	9-1/4	7-5/8	3-11/16	7	3.1
<b>5 JAW</b>						
CL5-V	Circuit closing on left side (Lower right hand jaw is a support only)	9-1/4	7-5/8	3-11/16	7	3.1
<b>6 JAW</b>						
CL6-LRV	Circuit closing both left and right sides	9-1/4	7-5/8	3-11/16	7	3.1

 Approved for copper only.

## TRANSFORMER RATED, METER SOCKETS • 20 AMP. 600 VOLTS MAX.

### Product Specifications

- Suitable for 120 / 240 Volts single phase service entrance over 200 Amp. when meter is outdoors with current transformers indoors
- Enclosure only – complete with neoprene gasket and meter mounting screws for use with bottom connected meter
- Replacement gasket available: Specify: Cat. No. NEO-100
- Weatherproof Type 3R enclosure
- **Primarily used in:** Quebec.



Dimensions are in inches

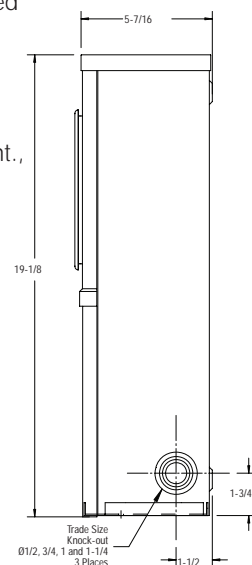
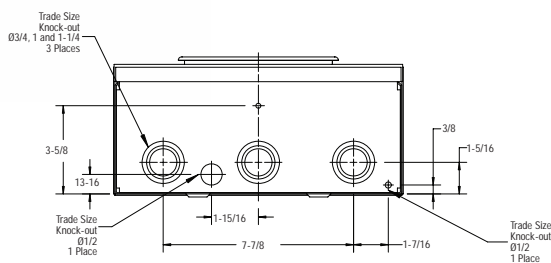
### Ordering Information

CATALOGUE NUMBER	DESCRIPTION	DIMENSIONS (inches)			WEIGHT EACH	
		H	W	D	lb	kg
AB100	Weatherproof Type 3R enclosure	14-15/16	7	3-5/16	7	3.1

## TRANSFORMER RATED METER SOCKETS • 20 AMP. 600 VOLTS MAX.

### Product Specifications


- Conductor range: 14-10 AWG
- Meter compartment cover overlaps lower test switch compartment cover; insertion of meter securely holds upper cover in place by means of a catch
- Lower test switch compartment cover securely held by upper cover and a catch at bottom
- A removable mounting bridge is provided for fastening test switches
- Supplied with screw type ring
- Weatherproof Type 3R enclosure
- **Primarily used in:** AB, Sask., Man., Ont., N.B., N.S., P.E.I.



Dimensions are in inches

### Ordering Information

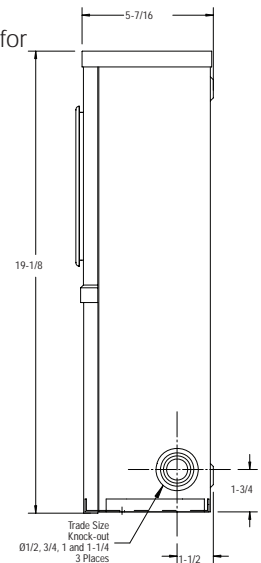
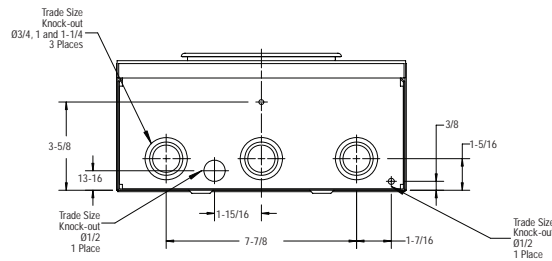
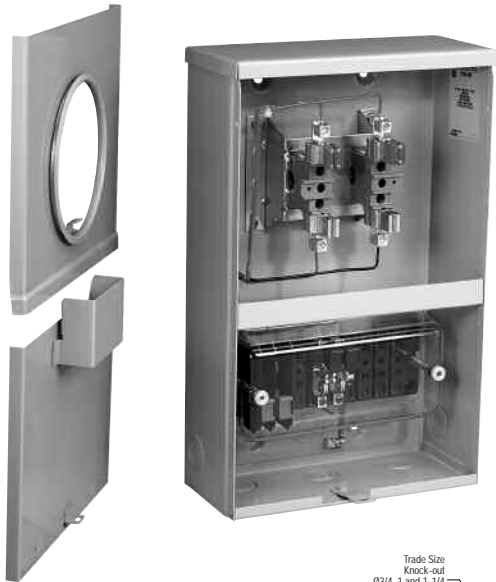
CATALOGUE NUMBER	DESCRIPTION	DIMENSIONS (inches)			WEIGHT EACH	
		H	W	D	lb	kg
<b>4 JAW</b>						
CT104	Weatherproof Type 3R enclosure	19-1/8	11-13/16	5-7/16	16	7.2
<b>5 JAW</b>						
CT105	Weatherproof Type 3R enclosure	19-1/8	11-13/16	5-7/16	16	7.2
<b>8 JAW</b>						
CT108	Weatherproof Type 3R enclosure	19-1/8	11-13/16	5-7/16	18	8.1
<b>13 JAW</b>						
CT113	Weatherproof Type 3R enclosure	19-1/8	11-13/16	5-7/16	19	8.6

 Approved for copper only.

## TRANSFORMER RATED METER SOCKETS • 20 AMP. 600 VOLTS MAX.

### Product Specifications

- Conductor range: 14-10 AWG
- Lower test switch compartment cover securely held by upper cover and a lockout device with an enlarged padlock hole (0.375" dia)
- Test switch included as part of these models
- Units are pre-wired from base to test switch
- Furnished with tamper resistant device for meter ring
- Weatherproof Type 3R enclosure
- **Primarily used in:** Alberta



### Ordering Information

Dimensions are in inches

CATALOGUE NUMBER	DESCRIPTION	DIMENSIONS (inches)			WEIGHT EACH	
		H	W	D	lb	kg
<b>4 JAW</b>						
CT104-SWL	Weatherproof Type 3R enclosure	19-1/8	11-13/16	5-7/16	18	8.2
<b>6 JAW</b>						
CT106-SWL	Weatherproof Type 3R enclosure	19-1/8	11-13/16	5-7/16	21	9.5
<b>13 JAW</b>						
CT113-SWL	Weatherproof Type 3R enclosure	19-1/8	11-13/16	5-7/16	21	9.5