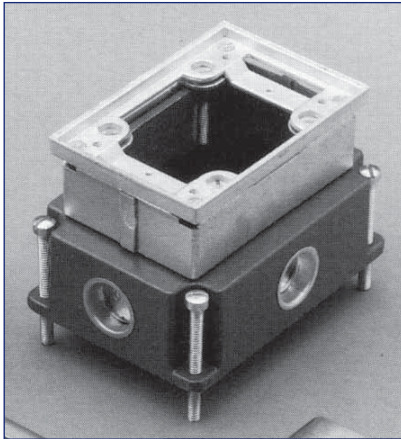


Multiple Gang Floor Boxes for Single and Duplex Receptacles, Communications and Data

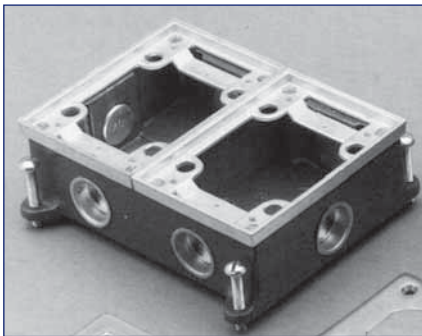


641

640 and 840 Series Floor Boxes provide flush service for power, communications and data. Multiple gang boxes allow the user to place high and low voltage in a single floor box. Floor boxes up to four gangs are available. 640 and 840 Series boxes can be used for either carpet or tile applications.

Features – 640 Series

- Cast iron, watertight body, fully adjustable
- Painted silver enamel inside and out for additional corrosion resistance
- Interior and exterior leveling screws permit adjustment to finished floor
- Removable partitions for large capacity requirements on 2, 3, and 4 gang
- Shipped complete with expendable cap to prevent ingress of concrete during pour
- 3/4" threaded conduit openings are standard
- Uses P64 Series mop tight covers (one cover per gang)



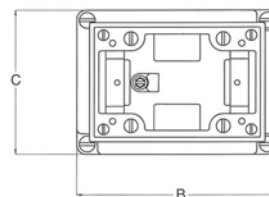
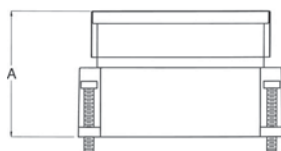
842-SC

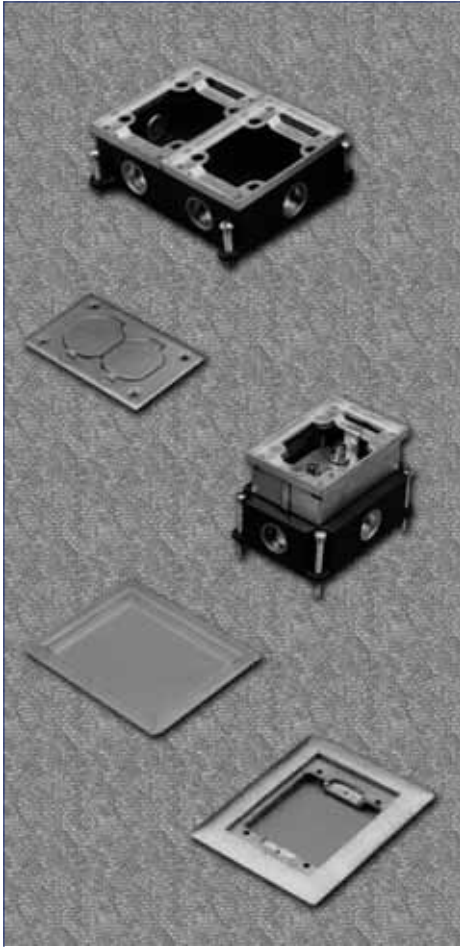
Features – 840SC Series (Shallow Type)

- Cast iron, watertight body, semi-adjustable
- Painted silver enamel inside and out for additional corrosion resistance
- Exterior leveling screws for adjustment to finished floor
- Removable partitions for large capacity requirements on 2 and 3 gang
- Shipped complete with expendable cap to prevent ingress of concrete during pour
- 3/4" threaded conduit openings are standard
- Uses P64 Series mop tight covers (one cover per gang)

Engineering Data

Cat. No.	Dimensions			Before Pour Adj.	After Pour Adj.	Number of Gangs	Maximum Capacity (cu. in.)	Standard Conduit Tapping	Maximum Conduit Tapping	
	A	B	C						w/bushing	w/o bushing
641	3-5/8"	5-1/2"	4"	2-1/2"	5/8"	1	35	3/4"	1"	1-1/4"
642	3-5/8"	5-1/2"	7"	2-1/2"	5/8"	2	37 Per Gang	3/4"	1"	1-1/4"
643	3-5/8"	5-1/2"	10"	2-1/2"	5/8"	3	37 Per Gang	3/4"	1"	1-1/4"
644	4-1/2"	5-1/2"	12-15/16"	2-1/2"	5/8"	4	37 Per Gang	3/4"	1"	1-1/4"
841-SC	2"	5-1/2"	4"	1-1/2"	—	1	15	3/4"	3/4"	3/4"
842-SC	2"	5-1/2"	7"	1-1/2"	—	2	16.5 Per Gang	3/4"	3/4"	3/4"
843-SC	2"	5-1/2"	10"	1-1/2"	—	3	16.5 Per Gang	3/4"	3/4"	3/4"





Series 640 and 840SC Floor Boxes

Cat. No.	Description	Std. Ctn.
641	Single gang floor box with 3/4 conduit tapping	4
641-1	Single gang floor box with 1" conduit tapping	4
641-AL	Single gang floor box with aluminum trim	4
642	Two gang floor box with 3/4 conduit tapping	2
642-1	Two gang floor box with 1" conduit tapping	2
642-AL	Two gang floor box with aluminum trim	2
643	Three gang floor box with 3/4 conduit tapping	1
643-AL	Three gang floor box with aluminum trim	1
644	Four gang floor box with 3/4 conduit tapping	1
841-SC	Single gang floor box (shallow design) with 3/4 conduit tapping	4
841-AL	Single gang floor box (shallow design) with aluminum trim	4
842-SC	Two gang floor box (shallow design) with 3/4 conduit tapping	2
842-AL-SC	Two gang floor box (shallow design) with aluminum trim	2
843-SC	Three gang floor box (shallow design) with 3/4 conduit tapping	1
843-AL-SC	Three gang floor box (shallow design) with aluminum trim	1

Boxes supplied with brass tile trim unless otherwise specified.
Use P64 series covers and carpet plates. (see page 43)



Metallic Cover Plates for 840 and 640 Series



P64-1/2
1/2" N.P.S. Plug



P64-3/4
3/4" N.P.S. Plug



P64-1
1" N.P.S. Plug



P64-1-1/4
1-1/4" N.P.S. Plug



P64-2*
2" Dia. Plug



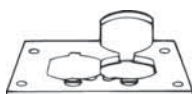
P64-1/2-2*
1/2" & 2" Dia. Plug



P64-3/4-2*
3/4" & 2" Dia. Plug



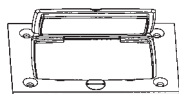
P64-2-5/8*
2-5/8" Dia. Plug



P64-DS*
Duplex Lift lids
Brass Only



P64-DU*
Duplex 1-7/16" Plugs



P64-GFCI

Cat. No.	Description	Std. Ctn.
P-64-1/2	Cover plate 1/2" NPS plug - Brass	4
P-64-3/4	Cover plate 3/4" NPS plug - Brass	4
P-64-1	Cover plate 1" NPS plug - Brass	4
P-64-1-1/4	Cover plate 1-1/4" NPS plug - Brass	4
P-64-2	Cover plate 2" UN plug - Brass	4
P-64-1/2-2	Cover plate 1/2" & 2" UN plug - Brass	4
P-64-3/4-2	Cover plate 3/4" & 2" UN plug - Brass	4
P-64-2-5/8	Cover plate 2-5/8" UN plug - Brass	4
P-64-DU	Cover plate duplex 1-7/16" plugs - Brass	4
P-64-DS	Cover plate duplex lift lids - Brass	4
P-64-GFCI	Cover plate GFCI flip lid - Brass	4

For aluminum covers, add-AL after catalog number

- *Furnished complete with sealing gasket and 8-32 x 7/16" brass screws*
- *3" x 4-1/2" outside dimension*
- *All covers meet mop tight requirements*

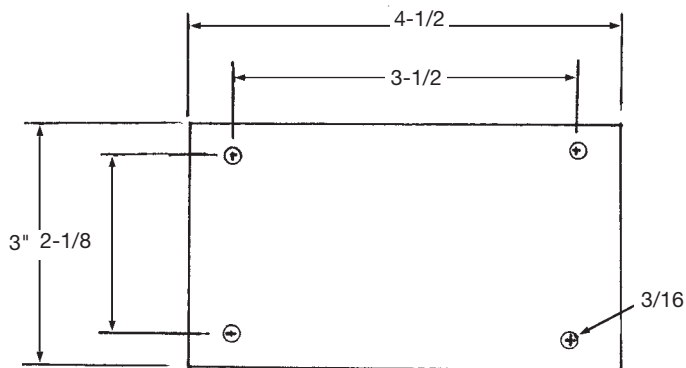


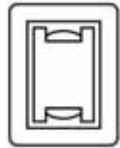
Plate Dimensions

* Also includes seating plate for receptacle

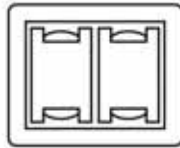


Square Flush Floor Boxes

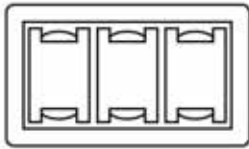
Steel City®



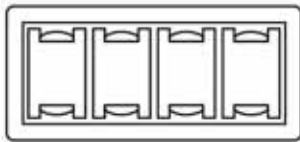
P64-CP



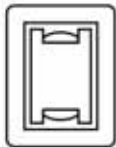
P64-2G-CP



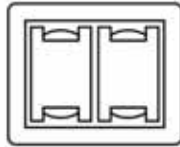
P64-3G-CP



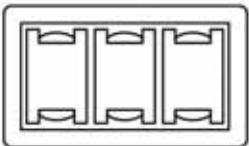
P64-4G-CP



P64P-CP



P64P-2G-CP



P64P-3G-CP

- Translucent polycarbonate material
- Textured finish
- To install LCP Series Plates remove trim ring and place inside. Replace trim ring on box



P64P-URC

Carpet Plates for 840 and 640 Series

Cat. No.	Number of Gangs	Outside Dimension	Material	Std. Ctn.
P64-CP	1	4-5/8" x 6-1/8"	Brass	4
P64-2G-CP	2	7-5/8" x 6-1/8"	Brass	4
P64-3G-CP	3	10-5/8" x 6-1/8"	Brass	4
P64-4G-CP	4	13-5/8" x 6-1/8"	Brass	4

For aluminum covers, add-AL after catalog number



P-64-LCP



P-64-2LCP



P-64-3LCP

Non-Metallic Carpet Trims

Cat. No.	Number of Gangs	Description	Finish	Std. Ctn.
P64P-CP-BLK	1	Single Gang Carpet Trim	Black	4
P64P-CP-GRY	1	Single Gang Carpet Trim	Gray	4
P64P-CP-BGE	1	Single Gang Carpet Trim	Beige	4
P64P-2GCP-BLK	2	Two Gang Carpet Trim	Black	4
P64P-2GCP-GRY	2	Two Gang Carpet Trim	Gray	4
P64P-2GCP-BGE	2	Two Gang Carpet Trim	Beige	4
P64P-3GCP-BLK	3	Three Gang Carpet Trim	Black	4
P64P-3GCP-GRY	3	Three Gang Carpet Trim	Gray	4
P64P-3GCP-BGE	3	Three Gang Carpet Trim	Beige	4

Non-Metallic Carpet Plates

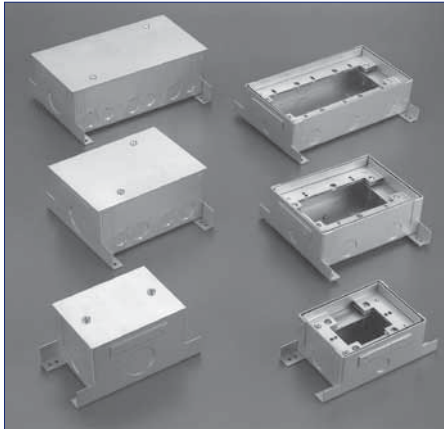
Cat. No.	Number of Gangs	Description	Finish	Std. Ctn.
P64-LCP	1	Single Gang Carpet Plate	Clear	4
P64-2LCP	2	Two Gang Carpet Plate	Clear	4
P64-3LCP	3	Three Gang Carpet Plate	Clear	4

Non-Metallic Cover Plates

Cat. No.	Description	Finish	Std. Ctn.
P64P-URC-BLK	Universal Cover Kit	Black	4
P64P-URC-GRY	Universal Cover Kit	Gray	4
P64P-URC-BGE	Universal Cover Kit	Beige	4
P64P-URC-BRN	Universal Cover Kit	Brown	4
P64P-BP-BLK	Blank Cover	Black	4
P64P-BP-GRY	Blank Cover	Gray	4
P64P-BP-BGE	Blank Cover	Beige	4

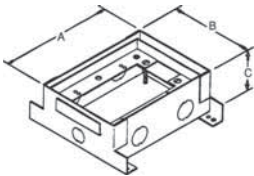


740 Series Steel Floor Boxes



The 740 series line of stamped steel floor boxes are an extension of T&B's industry leading 640 and 840 series cast iron floor boxes. The boxes provide flush service for power, communications and data. Multiple-gang boxes allow the user to place high and low voltage in a single floor box. The 740 series can be used for carpet or tile applications.

- Available in shallow (2-5/8") and deep (3-5/8") versions
- Available in one, two, and three-gang versions
- Two and three-gang boxes are supplied with customer installed dividers
- 16 ga. pre-galvanized steel construction
- Adjustable with four exterior leveling legs capable of 2" pre-pour adjustment and an interior leveling ring capable of 1-1/4" after-pour adjustment
- Made with a variety of k.o.'s ranging from 1/2" to 1-1/4"
- Boxes utilize the 640P series metallic and non-metallic floor box accessories with the unique one-step installation method
- Shipped with expendable steel cap to prevent ingress of concrete at installation



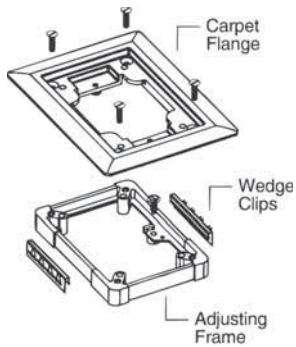
Ordering Information

Cat. No.	Description	Std. Ctn.
741S	Shallow one-gang steel floor box	4
742S	Shallow two-gang steel floor box	1
743S	Shallow three-gang steel floor box	1
741D	Deep one-gang steel floor box	4
742D	Deep two-gang steel floor box	1
743D	Deep three-gang steel floor box	1

Engineering Data

Cat. No.	Dimensions			Adjustment		Capacity Per Gang	Conduit KOs		
	A	B	C	Before Pour	After Pour		Sides	Ends	Bottom
741S	4"	5-1/2"	2-5/8"	2"	1-1/2"	29 cu. in.	(2)3/4"	(2)1/2"	(1)1/2" and (1)3/4"
742S	7-1/4"	5-1/2"	2-5/8"	2"	1-1/2"	26 cu. in.	(4)3/4"	(2)1/2"	(2)1/2" and (2)3/4"
743S	10-1/4"	5-1/2"	2-5/8"	2"	1-1/2"	26 cu. in.	(6)3/4"	(2)1/2"	(3)1/2" and (3)3/4"
741D	4"	5-1/2"	3-5/8"	2"	1-1/2"	48 cu. in.	(2)3/4"	(2)1-1/4"	(1)3/4" and (1)"
742D	7-1/4"	5-1/2"	3-5/8"	2"	1-1/2"	41 cu. in.	(4)3/4"	(2)1-1/4"	(2)1/2" and (2)3/4"
743D	10-1/4"	5-1/2"	3-5/8"	2"	1-1/2"	41 cu. in.	(6)3/4"	(2)1-1/4"	(3)1/2" and (3)3/4"

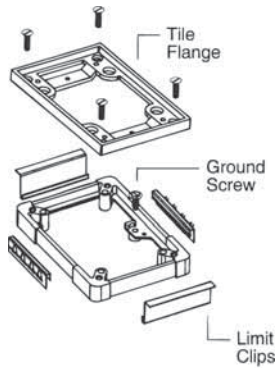




Carpet Activation Kit

Carpet Activations for 740 Series Floor Boxes

Cat. No.	Description	Finish	Std. Ctn.
641P-CACA	One-gang carpet trim	Aluminum	4
641P-CACB	One-gang carpet trim	Brass	4
641P-CAC-BGE	One-gang carpet trim	Non-metallic Beige	4
641P-CAC-BLK	One-gang carpet trim	Non-metallic Black	4
641P-CAC-GRY	One-gang carpet trim	Non-metallic Gray	4
642P-CACA	Two-gang carpet trim	Aluminum	4
642P-CACB	Two-gang carpet trim	Brass	4
642P-CAC-BGE	Two-gang carpet trim	Non-metallic Beige	4
642P-CAC-BLK	Two-gang carpet trim	Non-metallic Black	4
642P-CAC-GRY	Two-gang carpet trim	Non-metallic Gray	4
643P-CACA	Three-gang carpet trim	Aluminum	4
643P-CACB	Three-gang carpet trim	Brass	4
643P-CAC-BGE	Three-gang carpet trim	Non-metallic Beige	4
643P-CAC-BLK	Three-gang carpet trim	Non-metallic Black	4
643P-CAC-GRY	Three-gang carpet trim	Non-metallic Gray	4



Tile Activation Kit

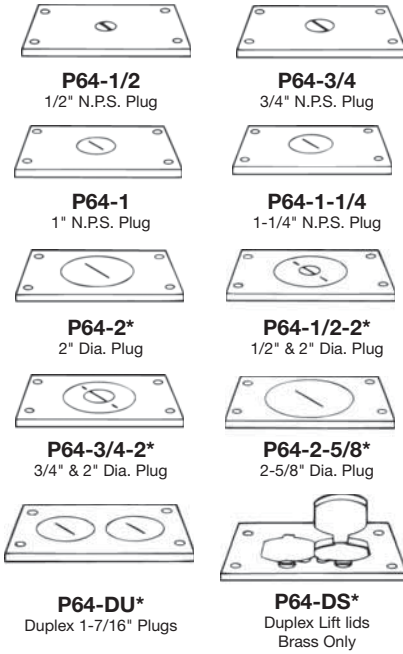
Tile Activations for 740 Series Floor Boxes

Cat. No.	Description	Finish	Std. Ctn.
641P-TACA	One-gang tile trim	Aluminum	4
641P-TACB	One-gang tile trim	Brass	4
641P-TAC-BGE	One-gang tile trim	Non-metallic Beige	4
641P-TAC-BLK	One-gang tile trim	Non-metallic Black	4
641P-TAC-GRY	One-gang tile trim	Non-metallic Gray	4
642P-TACA	Two-gang tile trim	Aluminum	4
642P-TACB	Two-gang tile trim	Brass	4
642P-TAC-BGE	Two-gang tile trim	Non-metallic Beige	4
642P-TAC-BLK	Two-gang tile trim	Non-metallic Black	4
642P-TAC-GRY	Two-gang tile trim	Non-metallic Gray	4
643P-TACA	Three-gang tile trim	Aluminum	4
643P-TACB	Three-gang tile trim	Brass	4
643P-TAC-BGE	Three-gang tile trim	Non-metallic Beige	4
643P-TAC-BLK	Three-gang tile trim	Non-metallic Black	4
643P-TAC-GRY	Three-gang tile trim	Non-metallic Gray	4

Note: Supplied as a kit. Parts can not be sold separately.



Metallic Cover Plates for 740 Series - Floor Boxes



P64-GFCI

* Also includes seating plate for receptacle

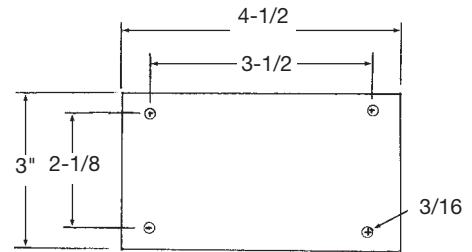


P64P-URC

Cat. No.	Description	Std. Ctn.
P-64-1/2	1/2" N.P.S. Plug (brass)	4
P-64-3/4	3/4" N.P.S. Plug (brass)	4
P-64-1	1" N.P.S. Plug (brass)	4
P-64-1-1/4	1-1/4" Plug (brass)	4
P-64-2	2" Plug (brass)	4
P-64-1/2-2	1/2" & 2" Plug (brass)	4
P-64-3/4-2	3/4" & 2" Plug (brass)	4
P-64-2-5/8	Cover plate 2-5/8" UN plug (brass)	4
P-64-DU	Cover plate duplex 1-7/16" plugs (brass)	4
P-64-DS	Cover plate duplex lift lids (brass)	4
P-64-GFCI	Cover plate GFCI flip lid (brass)	4

For aluminum covers, add-AL after catalog number

- Polished brass finish
- Furnished complete with sealing gasket and 8-32 x 7/16" brass screws
- 3" x 4-1/2" outside dimension
- All covers meet mop tight requirements



Universal Non-Metallic Covers

Cat. No.	Description	Finish	Std. Ctn.
P64P-URC-BLK	Universal Cover Kit	Black	4
P64P-URC-GRY	Universal Cover Kit	Gray	4
P64P-URC-BGE	Universal Cover Kit	Beige	4
P64P-BP-BLK	Blank Cover	Black	4
P64P-BP-GRY	Blank Cover	Gray	4
P64P-BP-BGE	Blank Cover	Beige	4

