

Floor Boxes for Single and Duplex Receptacles, or Communications and Data

68 and 600 Series Floor Boxes provide flush service for power or communications/data. 68 and 600 Series Floor Boxes can be used for carpet or tile applications.



68-D



600

Features – 68 Series

- Stamped steel, concrete tight, fully adjustable
- Electrogalvanized body and hardware
- Interior and exterior leveling screws permit adjustment to meet finished floor
- Shipped complete with expendable cap to prevent ingress of concrete during pour.
- 1/2", 3/4" and 1" knockouts—all are accessible
- Uses P60 Series mop tight covers and carpet plate

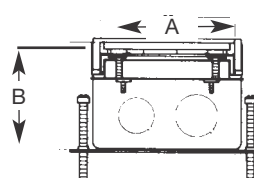
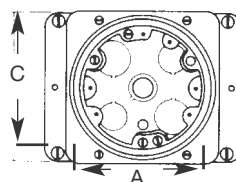
Features – 600 Series

- Cast iron, watertight body, fully adjustable
- Painted silver enamel inside and out for additional corrosion resistance
- Interior and exterior leveling screws permit adjustment to meet finished floor
- Shipped complete with expendable cap to prevent ingress of concrete during pour
- 3/4" threaded conduit openings are standard
- Uses P60 Series mop tight covers and carpet plate

Engineering Data

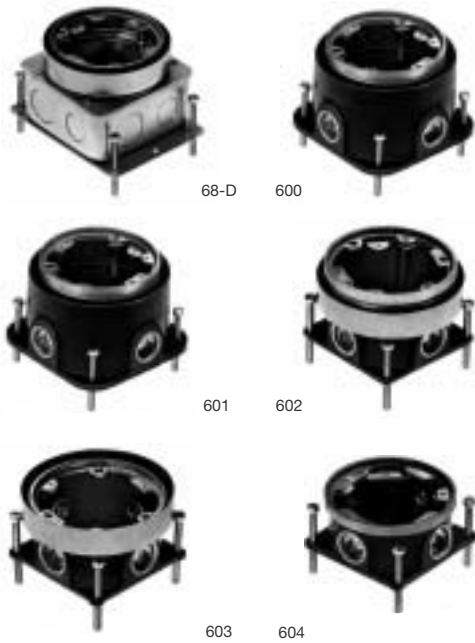
Cat. No.	Dimensions			Before Pour Adj.	After Pour Adj.	Maximum Capacity (cu. in.)	Standard Conduit Tapping	Maximum Conduit Tapping		Conduit KO's	
	A	B	C					w bushing	w/o bushing	Sides	Bottom
68-D	4-1/4"	3-5/8"	4-11/16"	2-1/2"	1/2"	60	—	—	—	(4) 3/4"	(3) 1/2"
68-S	4-1/4"	2-3/4"	4-11/16"	1-1/2"	1/2"	47	—	—	—	(4) 3/4"	(2) 3/4"
600-SC	4-1/4"	4-1/4"	5-1/8"	2-1/2"	1-5/16"	64	3/4"	1-1/2"	2"	—	—
600-1-SC	4-1/4"	4-1/4"	5-1/8"	2-1/2"	1-5/16"	64	1"	1"	1"	—	—
SP600-11/4	4-1/4"	4-1/4"	5-1/8"	2-1/2"	1-5/16"	64	1-1/4"	1-1/4"	1-1/4"	—	—
600-2-SC	4-1/4"	4-1/4"	5-1/8"	2-1/2"	1-5/16"	64	2"	1-1/2"	2"	—	—
601-SC	4-1/4"	3-9/16"	5-1/8"	2-1/2"	1-5/16"	56	3/4"	1"	1-1/4"	—	—
601-1	4-1/4"	3-9/16"	5-1/8"	2-1/2"	1-5/16"	56	1"	1"	1"	—	—
601-1-1/4	4-1/4"	3-9/16"	5-1/8"	2-1/2"	1-5/16"	56	1-1/4"	1-1/4"	1-1/4"	—	—
602-SC	4-1/4"	3-1/32"	4"	2-1/2"	1-5-16"	36	3/4"	3/4"	1"	—	—
603-SC	4-1/4"	2-1/2"	4"	2-1/2"	1-5/16"	27	3/4"	3/4"	3/4"	—	—
604-SC	4-1/4"	2"	4"	1-1/2"	—	15	3/4"	3/4"	3/4"	—	—

Use P60 Series Covers and Carpet Plates
For Brushed aluminum, add-AL after catalog number



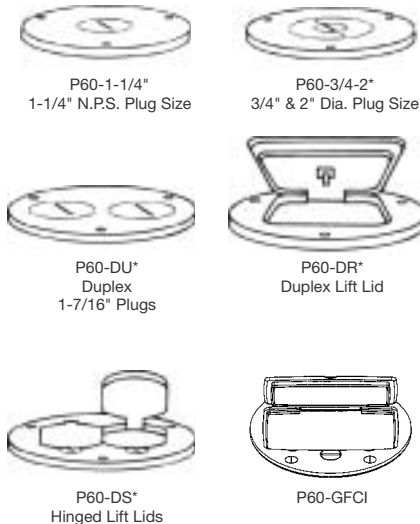
Round Flush Floor Boxes

Steel City®



68 and 600 Series Floor Boxes

Cat. No.	Description	Std. Ctn.
68-D	Stamped steel floor box	4
68-D-AL	Stamped steel with aluminum trim ring	4
68-S	Stamped steel shallow box	4
68-S-AL	Shallow with aluminum trim ring	4
600-SC	Cast iron floor box 3/4" conduit tapping	4
600-AL-SC	Cast iron floor box with aluminum trim ring	4
600-1-SC	Cast iron floor box 1" conduit tapping	4
600-2-SC	Cast iron floor box 2" conduit tapping	4
601-1/2-SC	Cast iron floor box 1/2" conduit tapping	4
601-AL-SC	Cast iron floor box 3/4" conduit tapping with aluminum trim ring	4
601-SC	Cast iron floor box 3/4" conduit tapping	4
601-1	Cast iron floor box 1" tapping	4
601-1-1/4	Cast iron floor box 1-1/4" conduit tapping	4
602-SC	Cast iron floor box 3/4" conduit tapping	4
602-AL-SC	Cast iron floor box 3/4" conduit tapping with aluminum trim ring	4
602-1	Cast iron floor box 1" conduit tapping	4
603-SC	Cast iron floor box 3/4" conduit tapping	4
603-AL-SC	Cast iron floor box 3/4" conduit tapping with aluminum trim ring	4
604-SC	Cast iron floor box 3/4" conduit tapping	4
604-AL-SC	Cast iron floor box 3/4" conduit tapping with aluminum trim ring	4



Carpet and Mop Tight Cover Plates for 68 and 600 Series Floor Boxes

Cat. No.	Description	Std. Ctn.
P-60-1/2	Brass cover plate 1/2" NPS plug size	4
P-60-3/4	Brass cover plate 3/4" NPS plug size	4
P-60-1	Brass cover plate 1" NPS plug size	4
P-60-1-1/4	Brass cover plate 1-1/4" NPS plug size	4
P-60-2	Brass cover plate 2" diameter plug size	4
P-60-2-5/8	Brass cover plate 2-5/8" diameter plug size	4
P-60-1/2-2	Brass cover plate 1/2" & 2" diameter plug size	4
P-60-3/4-2	Brass cover plate 3/4" & 2" diameter plug size	4
P-60-DR	Brass cover with duplex lift lid	4
P-60-DS	Brass cover for duplex with individual lift lids	4
P-60-DU	Brass cover plate with 2 & 1-7/16" plugs for duplex	4
P-60-GFCI	Brass cover plate for GFCI devices	4

For Brushed aluminum, add-AL after catalog number

- Polished brass finish
- Furnished complete with sealing gasket and 8.32 x 7/16" brass screws
- 4" outside diameter

* Also includes steel seating plate for receptacles.



Carpet Plates for 68 and 600 Series Floor Boxes



P-60-CP

- Polished brass finish
- Furnished complete with 8-32 x 1" brass screws



P-60-LCP

- Translucent Polycarbonate
- Textured finish



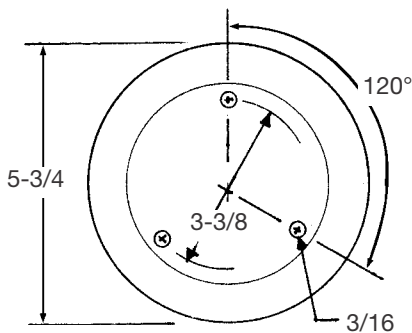
P-60-CACP

- Polished brass finish
- Integrated carpet plate and duplex floor plate
- Furnished complete with sealing gasket and 8-32 x 1" brass screws
- 5-3/4" outside diameter

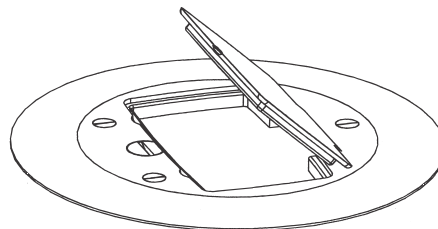


P-60-3/4-2-CACP

- Polished brass finish
- Integrated carpet plate 3/4"–2" Floor Plate
- Furnished complete with sealing gasket and 8-32 x 1" brass screws
- 5-3/4" outside diameter



P-60-CACP



P-60-CACP-GFCI



Cat. No.	Description	Std. Ctn.
P-60-CP	Brass carpet plate, 5-11/16" diameter	4
P-60-CP-AL	Aluminum carpet plate	4
P-60-LCP	Polycarbonate carpet plate, 5-3/8" diameter	4
P-60-CACP	Brass one piece carpet cover plate	4
P-60-CACP-AL	Aluminum one piece carpet plate	4
P-60-3/4-2-CACP	Brass one piece carpet plate with 3/4"–2" plugs	4
P-60-CACP-GFCI	Brass one-piece carpet plate for GFCI devices	4
P-60-CACP-GFI-AL	Aluminum one-piece carpet plate for GFCI devices	4





Floor Boxes for Single Short Strap Receptacles or Communications and Data

Service Fitting Application

78, 88 and 98 Series Floor Boxes provide flush service for power, communications and data applications. Can be used for either carpet or tile installations while providing the features listed below.

Features – 78 Series

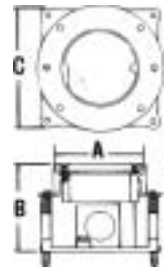
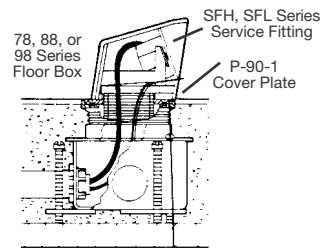
- Cast iron, watertight body, semi-adjustable
- Painted silver enamel inside and out for additional corrosion resistance
- Exterior leveling screws and threaded vertical adjusting ring permit adjustment to finished floor
- Shipped complete with expandable cap to prevent ingress of concrete during pour
- 3/4" threaded conduit openings
- Uses P90 Series mop tight covers

Features – 88 Series

- Stamped steel, concrete tight, semi-adjustable
- Electrogalvanized body and hardware
- Exterior leveling screws and threaded vertical adjusting ring permit adjustment to finished floor
- Shipped complete with expandable cap to prevent ingress of concrete during pour
- 1/2" and 3/4" knockouts—all bottom knockouts accessible
- Uses P90 Series mop tight covers

Features – 98 Series

- Stamped steel, concrete tight, semi-adjustable
- Electrogalvanized body and hardware
- 2-1/8" deep box body—extra capacity for junction box use
- Shipped complete with expandable cap to prevent ingress of concrete during pour
- 1/2" through 1-1/4" knockouts for maximum utility
- Uses P90 Series mop tight covers



Engineering Data

Cat. No.	Dimensions			Before Pour Adj.	After Pour Adj.	Maximum Capacity (cu. in.)	Standard Conduit Tapping	Maximum Conduit Tapping	Conduit KO's		Wiring Device
	A	B	C						Sides	Bottom	
78-SC	3"	2-13/16"	3-7/8"	2-1/2"	3/4"	24	3/4"	3/4"	—	—	Sing. Short Strap Rec.
78-S	3"	2-5/8"	3-7/8"	1-1/2"	3/4"	20	3/4"	3/4"	—	—	Sing. Short Strap Rec.
88-D	3"	3-1/4"	5-3/4"	2-1/2"	3/4"	29	—	—	(2) 1/2" (2) 3/4"	(3) 1/2" (2) 3/4"	Sing. Short Strap Rec.
88-S	3"	2-3/4"	5-3/4"	1-1/2"	3/4"	23	—	—	(2) 1/2" (2) 3/4"	(3) 1/2" (2) 3/4"	Sing. Short Strap Rec.
98	3"	3-1/8"	4-11-16"	—	3/4"	46	—	—	Two Each 1/2, 3/4 1", 1-1/4"	(2) 1/2" (1) 3/4" (1) 1-1/4"	Sing. Short Strap Rec.



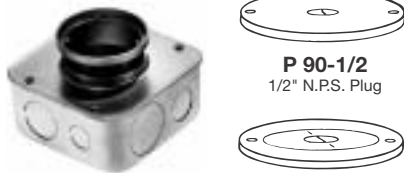
Round Flush Floor Boxes

Steel City®



78-SC

88-D

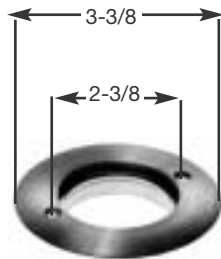
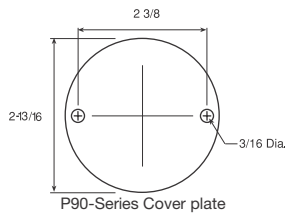


98

P 90-1/2
1/2" N.P.S. Plug

P 90 1/2-2
1/2" and 2" Dia. Plugs

- Polished brass finish
- Furnished complete with sealing gasket and 6-32 x 1/2" brass screws
- 2-13/16" outside diameter



P-90-CP

- Furnished complete with 6-32 x 1" brass flathead screws and gasket
- Threaded 2-20UN-2B, to accept 694 plug only
- 3-3/8 O.D. with 5/8" flange



8805-E

- Extends vertical adjusting ring 1-1/8"
- Seven cubic inch capacity



478-G-12

- 15 Amp, 125 Volt, NEMA grounding type
- Mounted on steel seating plate
- For use with 2" diameter opening floor plate

Series 78, 88 and 98 Floor Boxes

Cat. No.	Description	Std. Ctn.
78-SC	Cast iron single gang floor box with 3/4" conduit tapping	4
78-S	Cast iron single gang floor box (shallow)	4
88-D	Stamped steel single gang floor box with 1/2" and 3/4" conduit tapping	4
88-S	Shallow version stamped steel	4
98	Stamped steel single gang floor box with 1/2", 3/4", 1", 1-1/4" conduit tapping	4

Cover Plates for 78, 88 and 98 Series Floor Boxes

Cat. No.	Description	Std. Ctn.
P-90-1/2	Cover plate 1/2" NPS plug - Brass	4
P-90-3/4	Cover plate 3/4" NPS plug - Brass	4
P-90-1	Cover plate 1" NPS plug - Brass	4
P-90-1-1/4	Cover plate 1-1/4" NPS plug - Brass	4
P-90-2	Cover plate 2" UN plug - Brass	4
P-90-1/2-2	Cover plate 1/2" & 2" plug - Brass	4
P-90-3/4-2	Cover plate 3/4" & 2" plug - Brass	4

For aluminum covers, add-AL after catalog number

Carpet Plate for 78, 88 and 98 Series Floor Boxes

Cat. No.	Description	Std. Ctn.
P-90-CP	Carpet plate (brass)	4
P-90-CP-AL	Carpet plate (aluminum)	4

Will not accept P90 Covers.
Will accept 694 threaded plug.

Accessories for 78, 88 and 98 Series Floor Boxes

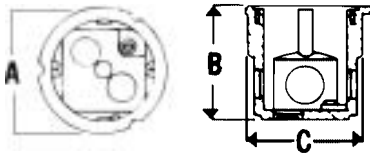
Cat. No.	Description	Std. Ctn.
8805-E *	Extension adjusting ring (die cast zinc)	4
478-G-12	15 AMP 125 volt NEMA grounding receptacle	4
694	2" - 20 UN thread plug insert	4

* Not CSA certified



Floor Boxes for Single Short Strap Receptacles

671 and 672 Series Floor Boxes provide flush service for power, can be used in either wood or concrete floors and are suitable for carpet, tile or wood applications.



671-SC

- Cast iron, watertight, non-adjustable
- Painted silver enamel inside and out for additional corrosion resistance
- For use in wood or concrete floors
- 1/2" and 3/4" threaded conduit openings
- Uses P67 Series covers



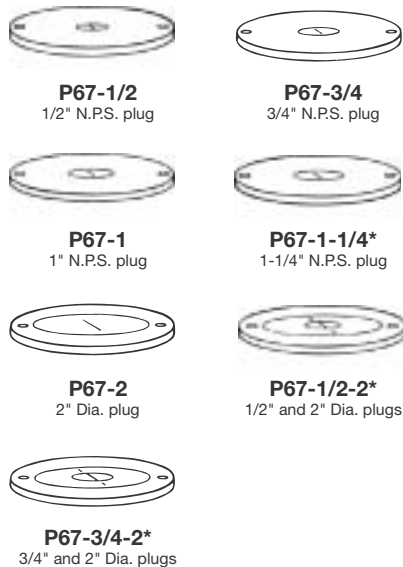
672

- Catalog No. 672 is the 671 floor box with factory-mounted 15 ampere, 125 volt, NEMA grounding receptacle and P67-2 cover plate

Engineering Data

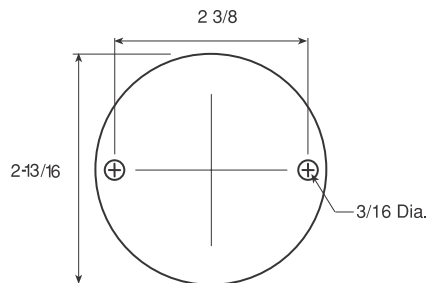
Cat. No.	Dimensions			Maximum Capacity (cu. in.)	Maximum Conduit Tapping		Conduit KO's		Wiring Device	Std. Ctn.
	A	B	C		w bushing	w/o bushing	Sides	Bottom		
671-SC	3-1/2"	3"	2-31/32"	13	3/4"	3/4"	2-1/2" 2-3/4"	2-1/2"	Sing. Short Strap Rec.	4
672	3-1/2"	3-3/16"	2-31/32"	13	3/4"	3/4"	2-1/2" 2-3/4"	2-1/2"	Sing. Short Strap Rec.	4

Cover Plates for 671 and 672 Floor Boxes



Cat. No.	Description	Std. Ctn.
P-67-1/2	Cover plate with 1/2" NPS plug (brass)	4
P-67-3/4	Cover plate with 3/4" NPS plug (brass)	4
P-67-1	Cover plate with 1" NPS plug (brass)	4
P-67-1-1/4	Cover plate with 1-1/4" NPS plug (brass)	4
P-67-2	Cover plate with 2" UN thread plug (brass)	4
P-67-1/2-2	Cover plate with 1/2" and 2" plug (brass)	4
P-67-3/4-2	Cover plate with 3/4" and 2" plug (brass)	4

For aluminum covers, add-AL after catalog number



* Also includes seating plate for receptacle.

- Furnished complete with sealing gasket and 6-32 x 1/2" brass screws
- 3-1/2" outside diameter





P-90-CP

- *Furnished complete with 6-32 x 1" long brass flathead screws and gasket*
- *3-3/8" outside diameter*



P-67-F

- *Use brass edge ring for neat appearance when non-adjustable floor box is installed in concrete*
- *Edge ring has 3-3/4" OD and adds 3/8" to floor box height*



478-G-12

- *15 amp, 125 volt, NEMA grounding type*
- *Mounted on steel seating plate*
- *For use with 2" diameter opening floor plate*

Carpet Plates for 671 and 672 Floor Boxes

Cat. No.	Description	Std. Ctn.
P-90-CP	Carpet plate (brass)	4
P-90-CP-AL	Carpet plate (aluminum)	4

Will not accept P90 covers.
Will accept 694 threaded plug.

Accessories for 671 and 672 Floor Boxes

Cat. No.	Description	Std. Ctn.
P-67-F	Brass edge ring for concrete	4
478-G-12	15 amp, 125 V NEMA grounding receptacle	4
694*	2" —20 UN thread plug insert	4

* Not CSA/UL Approved

