

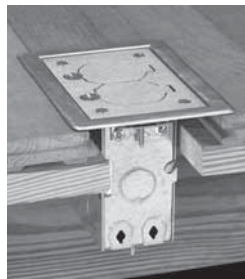
## Single-Gang Residential Floor Box Kit for Wood Floors

The single-Gang Residential Floor Box Kit from Thomas & Betts is an affordable and conveniently packaged kit for the residential market providing power right where you need it most.

- Complete residential floor box kit includes switch box, cover, flange and receptacle.
- Durable metallic covers and flanges are available in aesthetic brass or nickel finishes.
- Available with duplex or GFCI receptacle.
- MopTite™ covers meet UL scubwater requirements for wood, tile and carpet.
- 3" x 2" Switch Box is 3-1/2" deep with 18 cu. in. capacity
- Box includes integral nonmetallic sheathed cable clamps

**Material:**

Box – Galvanized Steel  
 Cover – Brass or Nickel-Plated Aluminum  
 Flange – Die-Cast Zinc with Brass or Nickel finish



*Brass finish with duplex receptacle*



*Nickel finish with GFCI receptacle*

## Single-Gang Residential Floor Box Kit

Cat. Number	Description	Std. Pkg. Qty.
71W-DS-C	Duplex Receptacle, Brass Finish	4
71W-DS-N-C	Duplex Receptacle, Nickel Finish	4
71W-GFCI-C	GFCI Receptacle, Brass Finish	4
71W-GFCI-N-C	GFCI Receptacle, Nickel Finish	4



## Features

1. Faceplate coupling made from a high strength zinc alloy. (flange is 1/8" thick)
2. P64 Series covers for GFCI or Duplex receptacles.
3. Steel floor box, 18.0 cu. inch capacity with (1) 1/2" K.O and (2) cable K.O.'s with non-metallic sheathed cable clamps each end and (1) K.O. on bottom. Comes with 12 AWG insulated copper grounding wire pigtail.
4. GFCI and Duplex receptacles are rated at 15amp 125V and provided with a white face.
5. Strain relief furnished for non-metallic sheathed cable only.

## Application

For use in a floor on a conventional foundation (not slab). Uses Thomas & Betts P64 series covers (see page 43). **71W** series single-gang floor boxes can be installed on hard finished floors such as wood, ceramic tile or on carpeted floors.

**Note: Minimum 3/8" finished floor thickness required.**

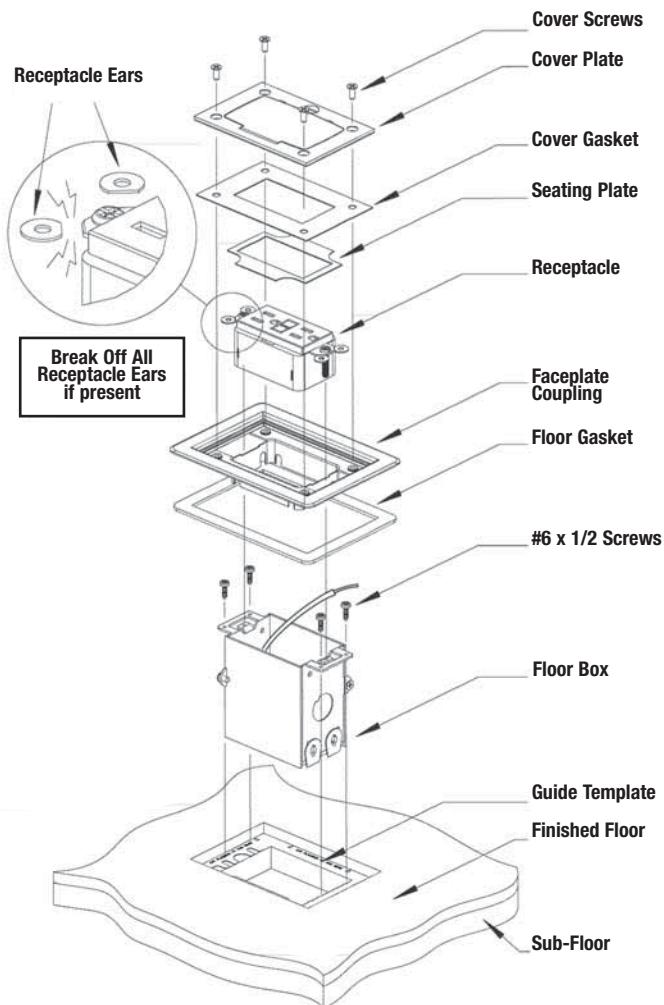
Follow National and Local Electrical codes when installing box and cover to floor.

**Do not install directly over floor joists.**

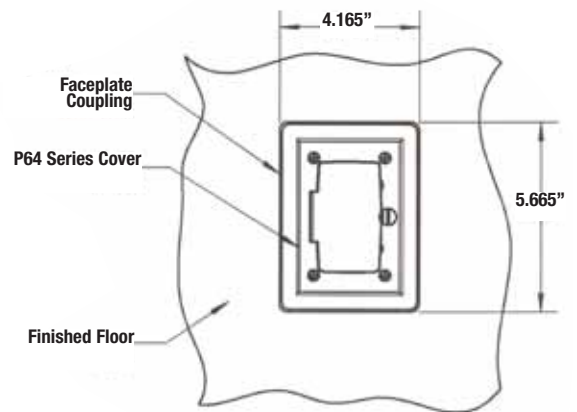
### Faceplate Coupling Installation Option:

**Option A:** For hardwood floor application, place the Floor Gasket that is provided between the floor and the Faceplate Coupling before final installation.

**Option B:** For ceramic tile, apply appropriate caulk or sealant between the floor and the bottom flange of the Faceplate Coupling.



### Top view



### Side view



### Covers

