

Thermoplastic LED Pictogram Combo Sign

Self-Powered LED model



IMPORTANT SAFEGUARDS

When using electrical equipment, basic safety precautions should always be taken including the following:

READ AND FOLLOW ALL SAFETY INSTRUCTIONS

1. All servicing should be performed by qualified service personnel.
2. Do not use outdoors.
3. Do not let power supply cords touch hot surfaces.
4. Do not mount near gas or electric heaters.
5. Equipment should be mounted in locations and at heights where it will not readily be subjected to tampering by unauthorized personnel.
6. The use of accessory equipment not recommended by the manufacturer may cause an unsafe condition.
7. Do not use this equipment for other than its intended use.
8. Units to be installed only as per configuration described in this instruction manual.

SAVE THESE INSTRUCTIONS

Installation Instructions

1. Confirm AC power is off.
2. Route AC unswitched circuit of rated voltage into electrical box and leave 6" of wire length.
3. Remove face plate screws (only for some models). Remove the combo front door using a coin or a screwdriver at the top or bottom of the door. Arrows on the frame point towards the front door (see fig. 2).
4. Determine the mounting position (wall or ceiling). Note: a canopy(6) is required for ceiling mount.

Wall mounting

No canopy required. Remove the battery(s) with wires. Drill two holes or, using a flat head screwdriver and a hammer, knock out the proper hole pattern, including the center hole and 2 wall anchoring points, on the back cover, to mount to a standard junction box (see fig. 2). Feed the AC supply leads (and DC leads for remote lamps if applicable) around inside the housing, through the plastic conduit and out through the center hole and make the proper connections (see step 5 and fig. 6). Unused primary wire must be insulated to prevent shorting. Feed the excess wire into the junction box. Install means to anchor unit to the wall in line with "wall anchoring points." Secure the back plate to the wall at wall anchoring points using wall mount screws(18), then to the junction box using the junction box screws(7). Proceed to step 6.

Note: Unit should be anchored in line with "wall anchoring points."

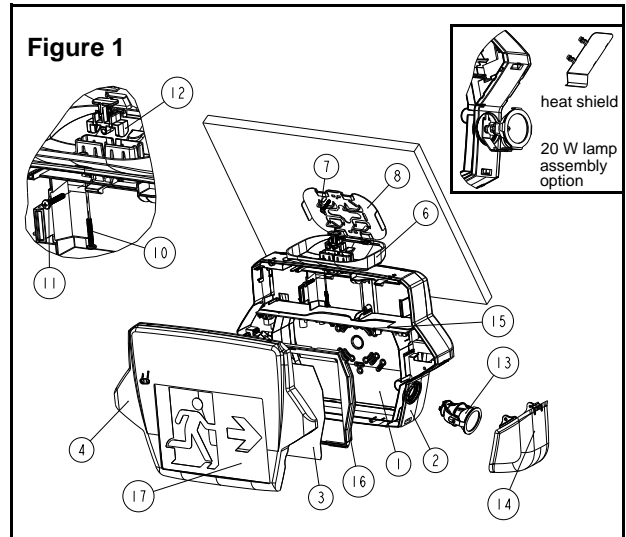
Conduit entry mounting

Remove knock-out for the conduit entry located on the top of the central housing (see fig. 2).

Secure unit to the wall following "Wall mounting" instructions and make appropriate connections.

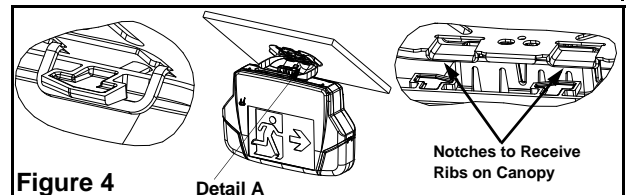
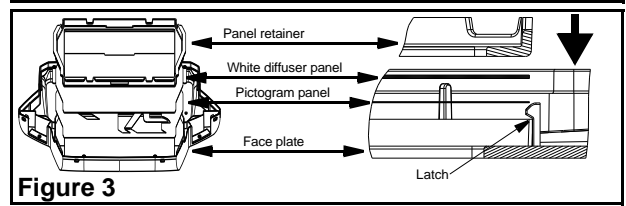
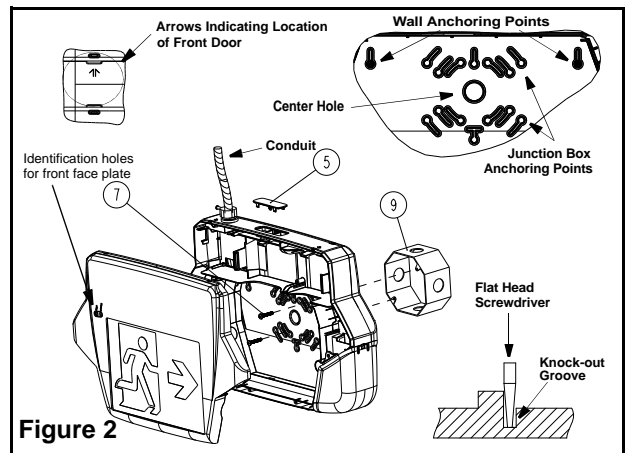
Ceiling mount

Canopy required. Remove the battery(s) with wires connected. Attach the spider plate to electrical box with the junction box screws(7). Remove the hole plug(5). Feed AC supply leads (and DC leads for remote lamps if applicable) out through top opening and then through canopy. Remove the canopy



Parts List

- | | |
|---------------------------------------|---|
| 1. Back Plate | 10. Canopy Plate Screw |
| 2. Central Housing | 11. Canopy Housing Screw |
| 3. White Diffuser Panel | 12. Canopy Lock |
| 4. Face Plate | 13. Lens |
| 5. Hole Plug for Canopy | 14. Lamp Assembly |
| 6. Canopy | 15. PCB |
| 7. Junction Box Screws (not Provided) | 16. Panel Retainer |
| 8. Spider Plate | 17. Pictogram Panel (with or without arrow) |
| 9. Junction Box | 18. Wall Mount screws (not provided) |



lock(12). Snap the canopy into the opening on top of frame. Reinstall the canopy lock into the canopy. Secure the assembly with canopy housing screw(11) (see fig. 1). Make the proper wire connections. The "Quick-install" canopy is equipped with ribs allowing you to hang the unit spider plate to facilitate wiring (see fig.4). Feed the excess wire into the junction box. Unhook unit and slide ribs on canopy into designated notches on the spider plate (see fig. 4). Secure the canopy to the junction box using the canopy screws provided(10). Note: use tamper proof screws for vandal resistant units.

- System can accept input voltages of 120 VAC, 277 VAC or 347 VAC. Connect, as appropriate, the black (120 VAC) or orange (277 VAC) or red (347 VAC) and white (common) leads to the building utility. Connect the green wire to the ground.

⚠ Unused primary wire must be insulated to prevent shorting (see fig.6).

- Install battery(s) and wires.
- Install the appropriate pictogram panel into the face plate, place the white diffuser panel on top of the pictogram panel then snap in the panel retainer into the face plate on top of the panels making sure the frame has engaged the 4 latches on the face plate (see fig. 3).
- Connect battery "T Connector" to PCB ("B" connection) (see fig. 6).
- Remote lamp(s) connection: Feed external DC+ & DC- wires through unit and connect to internal wires using wire nuts provided (see fig. 6).
- Remove lenses (see fig. 6) and discard plastic bags. Install lamps as shown in figure 5. Adjust the lamps in appropriate position. Re-install both lenses.
- Reinstall combo door(s). Fasten screws (only for some models). Note: The front plate with holes must be installed on the front side (see fig.2).

⚠ Caution: For 20 watt lamps a heat shield needs to be installed. See addendum for heat shield installation.

- Energize AC. Sign will illuminate.

Note: DC input voltage is 6 or 12 volts depending on unit type.

Unit testing

Manual testing

Press test switch. Legend will flicker, but remain lit. On release, external green LED will illuminate, and automatic charger will restore battery to full charge.

Automatic testing and diagnostics

The automatic testing and diagnostic function includes a micro-controller which self-tests the unit on a monthly basis, identifies and displays failures of the electrical components: battery, battery charger, lamps, LEDs.

Self-test

The self-test is performed every month for 1 minute, every 6 months for 10 minutes, and annually for 30 minutes.

Diagnostic function

- Dual color LED lamp indicator shows the following status:
 - Green color: AC on/Ready.
 - Red color: (Service Alert) see figure 7.

o	Green	Steady On	AC On
o	Red	Steady On	Battery Disconnect
-o	Red	Blinking	Battery Failure
o-o	Red	Two Blinks	Charger Failure
o-o-o	Red	Three Blinks	Lamp Failure
o-o-o-o	Red	Four Blinks	LED Failure

For Nexus models, refer to "Nexus addendum".

Units with automatic testing are shipped "non-audible". To make the unit "audible" re-orient the jumper "JP5" as shown in figure 8.

Maintenance: None required. If AC supply to the unit is to be disconnected for 2 months or more, the battery must be disconnected.

Note: NiMH (Nickel Metal Hydride) batteries are shipped discharged and need to be connected to an AC supply for 10 minutes before start-up test procedure, 24 hours to charge to meet a 30 minute discharge or 96 hours to reach full charge.

Warranty: For the complete warranty information, please refer to the landing page of our website (<http://www.tnb.ca/en/products/emergency-lighting/>).

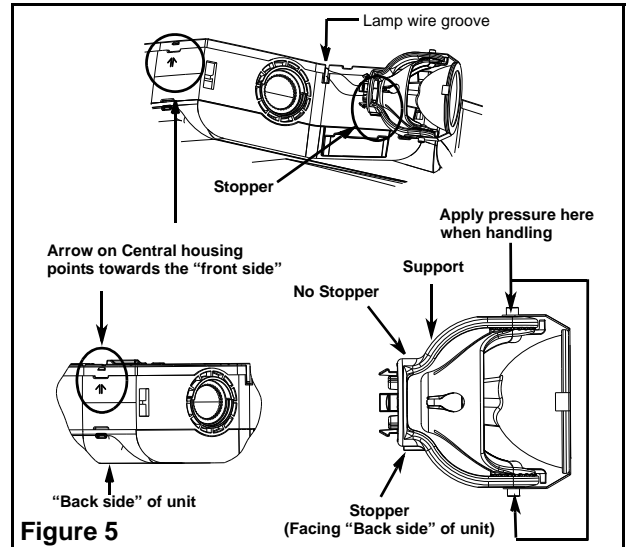


Figure 5

Assembly steps:

- Remove lamp assemblies from plastic wrapping.
- Place wires in respective grooves on the central housing.
- Align and snap in place with "stopper" oriented per Figure 5.
- Handle assemblies by applying pressure on either end of the support per Figure 5.

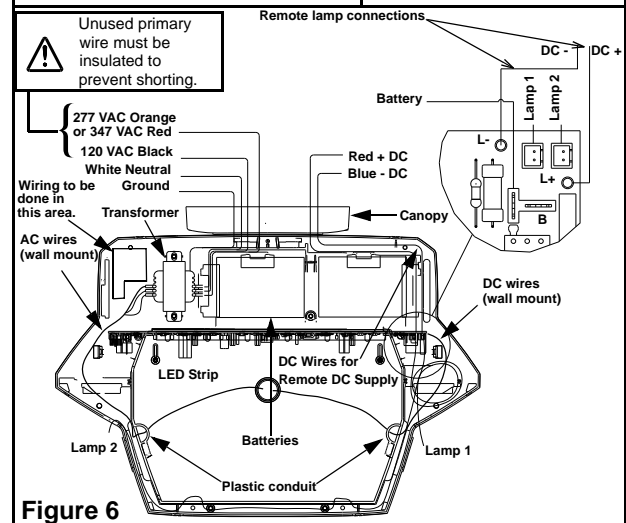
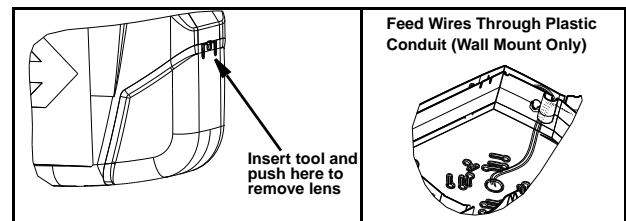


Figure 6

⚠ IMPORTANT: Wiring connections need to be done away from PCBA and in designated area as shown in figure 6.

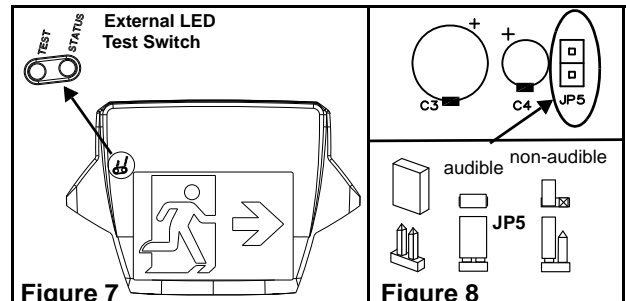


Figure 7

Figure 8