

## Channels and concrete inserts

### Channels

#### Material

Steel channels are cold-roll formed from strip steel. Aluminum and fiberglass channels are extruded profiles.

#### Material thickness

All series 1,200 12 gauge material  
 All series 1,400 14 gauge material  
 All series 1,600 16 gauge ribbed material

#### Standard lengths

Standard lengths for channels are 10 ft. and 20 ft. with a tolerance of  $+\frac{1}{8}$  in. Special lengths can be requested; however, minimum quantities may apply. Channels are sold per foot.

#### Warning

**Load tables, charts and design criteria provided in this catalogue are intended as guides only. Selection of proper product, support spacing, erection and placement are the responsibility of the user. When improperly used as tools of erection, pipe hanger products have occasionally failed. To avoid an accident, the user is cautioned to use the product only as it was intended.**

### Concrete inserts

#### Material

Superstrut continuous insert channel is manufactured from 12 gauge hot-rolled strip steel in two basic sizes as follows:

#### Cat. no. A302

1 $\frac{5}{8}$  in. x 1 $\frac{1}{8}$  in.  $\frac{7}{8}$  in. slot

#### Cat. no. B302

1 $\frac{5}{8}$  in. x 1 $\frac{3}{8}$  in.  $\frac{7}{8}$  in. slot

#### Standard lengths

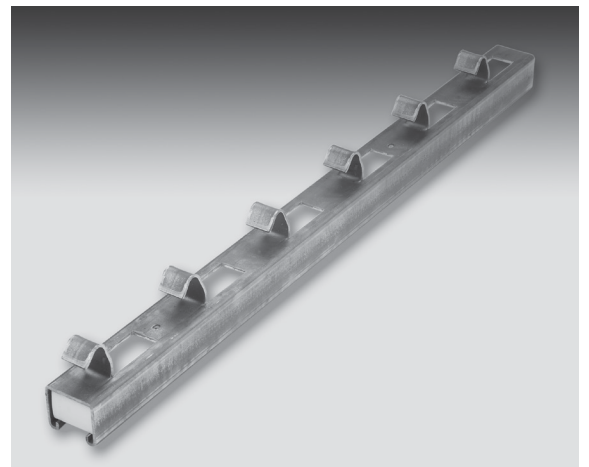
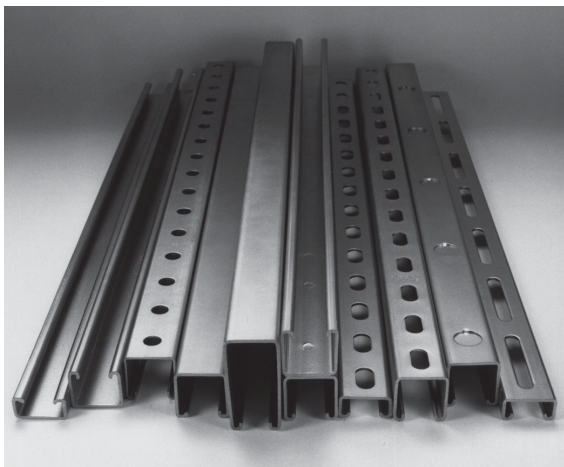
Standard lengths are 10 ft. and 20 ft. Product is supplied with foam filler and end caps to prevent concrete from seeping into channel.

#### Application

For casting into concrete walls, floors or ceilings to provide for attachment anywhere along the continuous slot.

#### Design data

Load ratings as shown have a safety factor of 3 in 3,000 psi hard rock concrete. Where sound concrete does not exist, the load ratings shall not apply. GoldGalv hardware finish is standard for all Superstrut concrete insert products. This is a multi-process finish of electro-plated zinc, followed by gold-coloured zinc dichromate to give excellent corrosion resistance and a superior paint base.

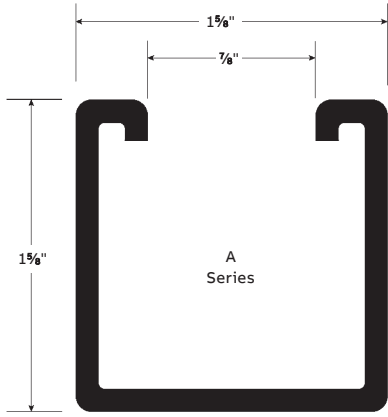


For more information on load design, see page A67 for engineering data and specifications.

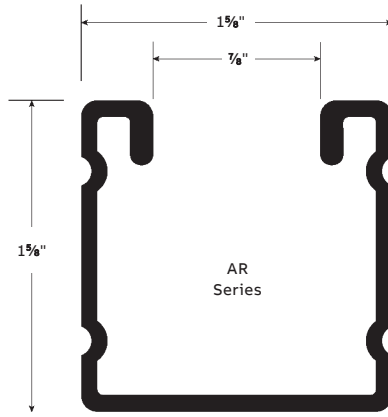
# Channels and concrete inserts

Channels at full scale

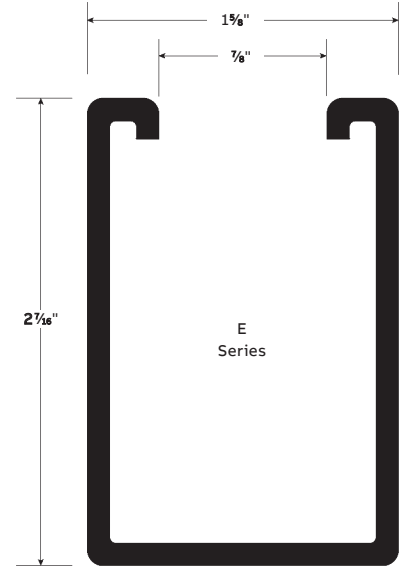
Available in 10 and 20 foot lengths.



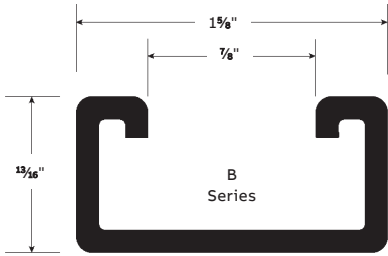
A1200 12 gauge  
A1400 14 gauge



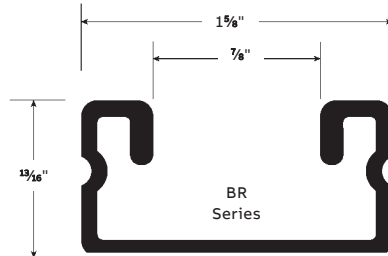
16 gauge only



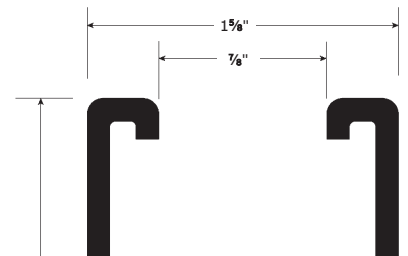
E1200 12 gauge



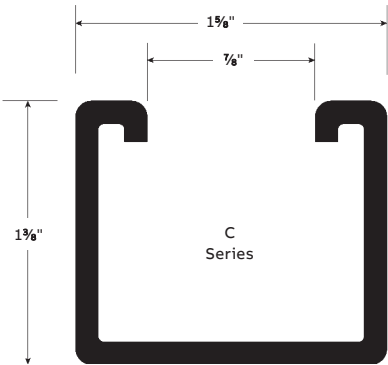
B1200 12 gauge  
B1400 14 gauge



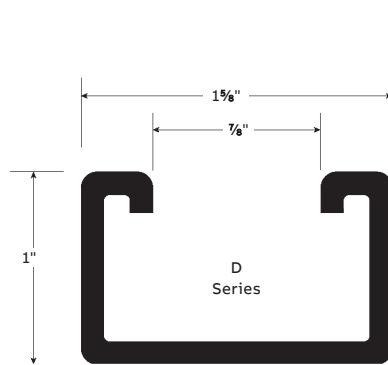
16 gauge only



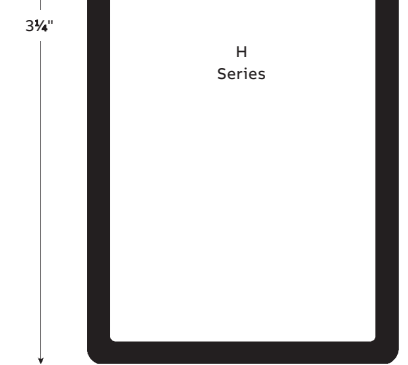
H1200 12 gauge



C1200 12 gauge



D1200 12 gauge



H1200 12 gauge

# Channels and concrete inserts

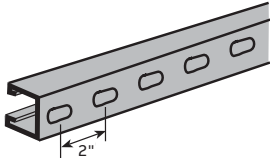
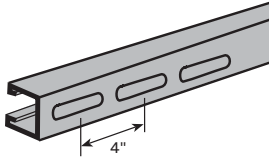
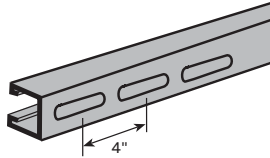
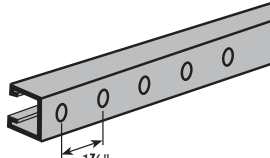
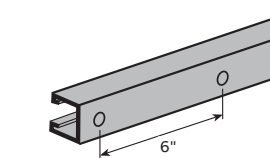
## Channel selection chart

Channel Series	Hole configurations					Length ft.	Finish on steel					Special materials			
	HS	S	SW	P	KO		B(C)	PG(C)	EG(C)	GoldGalv®	HDG(C)	GR(C),GY(C),WH(C)	AL(C)	T316L	SS6(C)
A1200						10 or 20									
A1400						10 or 20									
AR1600						10 or 20									
B1200						10 or 20									
B1400						10 or 20									
BR1600						10 or 20									
C1200						10 or 20									
D1200						10 or 20									
E1200						10 or 20									
H1200						10 or 20									

## Legend

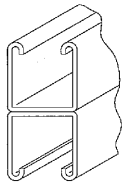
Examples	Hole configuration		Finish on steel		Special materials	
<b>A120010PG</b> Plain channel, 10 ft., pre-galvanized finish	<b>Suffix</b>	<b>Suffix</b>	<b>Suffix</b>	<b>Suffix</b>		
	Blank	Plain, no holes	B(C)	Bare	AL(C)	Aluminum
	HS	Half slot	PG(C)	Pre-galvanized	SS6(C)	Stainless steel type 316
<b>B1400P10</b> Punched channel, 10 ft., GoldGalv finish	S	Slotted	EG(C)	Electrogalvanized	T316L	Stainless steel type 316L
	SW	Slotted wide	Blank	GoldGalv®		
	P	Punched	HDG(C)	Hot-dipped galvanized		
<b>E1200HS20HDG</b> Half-slot channel, 20 ft., hot-dipped galvanized	KO	Knockout	GR(C),GY(C),WH(C)	Epoxy paint in green (GR)(C), grey (GY)(C) or white (WH)(C)		
		Standard offering		A minimum order quantity may apply		

## Hole configuration

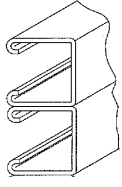
Half-slot channel	Slotted channel	SW "slotted wide" channel	Punched channel	Channel with knockouts
Slots: 1/16 in. x 1 1/8 in.	Slots: 7/16 in. x 3 in.	Slots: 9/16 in. x 3 in.	Holes: 9/16 in.	KO: 1/2 in.
				

## Channels and concrete inserts

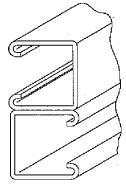
### Welded combinations



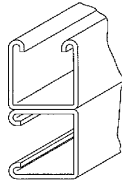
02



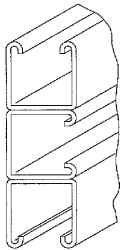
02A



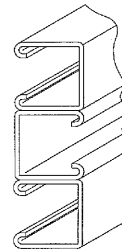
02B



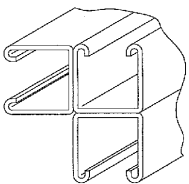
02C



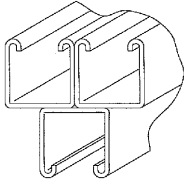
03A



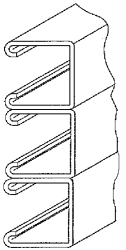
03B



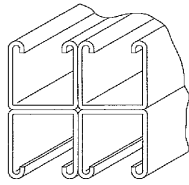
03C



03D

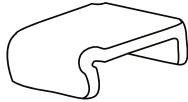


03E



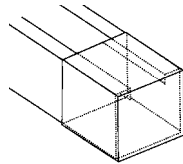
04

### End caps and closure strips



	Cat. no.	For channel	Wt./C lb
A804 End cap	A804EG	A1200	10
		A1400 AR1600	10
	B804EG	B1400 BR1600	5
	C804EG	C1200	8
	E804EG	E1200	15
	H804	H1400	20

### Safety end cap



	Cat. no.	For channel	Wt./C lb
1 $\frac{5}{8}$ in. x 1 $\frac{5}{8}$ in. White plastisol	A804NEOPWH	A1200 AR1600	1.75
		A1400	
	B804NEOPWH	B1200 BR1600	5
H804NEOPWH	H1200	2	

#### Examples

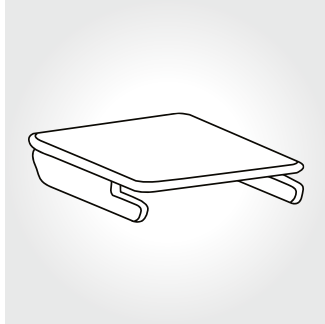
Two A1200 channels back to back are ordered as A1202.  
Two A1200 channels back to side are ordered as A1202C.

Aluminum back-to-back channel are extruded profiles.  
All other combinations are spot welded at every 4 inches.  
E and H series are not available in triple and quadruple.

## Channels and concrete inserts

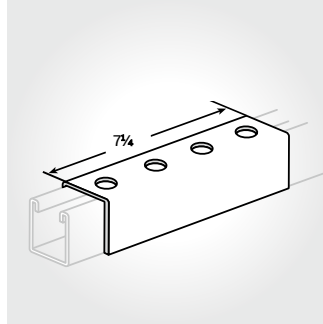
### Welded combinations

—  
01 A243-1EGC End cap  
For A1200 channel  
Wt./C 16 lb



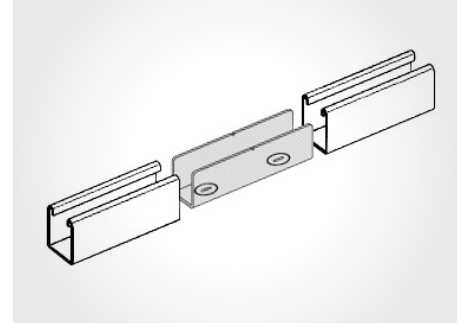
01

—  
02 U-shape support  
A208HDGC  
A208EG  
Does not include  
stud nut or bolts.  
A208 A208SS6C  
For series A and AR.  
Weight/C: 275 lb



02

—  
03 A213 Inside joiner  
For A1200 series only.  
Available only in  
GoldGalv® finish.



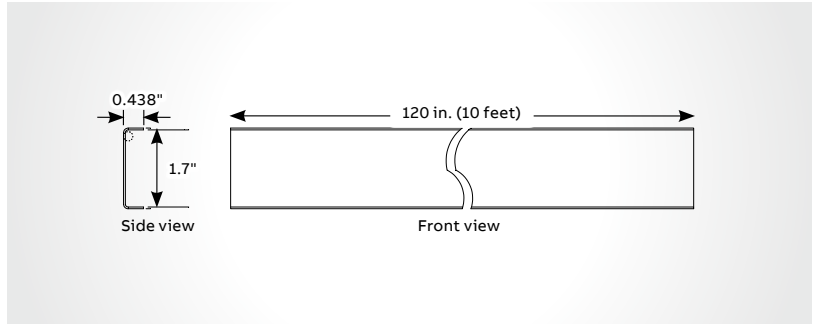
03

—  
04 Pre-galvanized  
steel closure strip  
AB844PGC  
AB844PGCWH  
White epoxy  
powder coated



04

Also available in  
ALC (A844)  
Also plastic closure strip  
AB844PC colour: gold  
AB844PCGY  
colour: grey



05

—  
05 Stainless steel  
closure strip  
AB844SS6CS (strapping  
not included)

- When used as a raceway, channel is normally installed with the slot up. After wiring has been completed the closure strip is installed.
- For all channels.
- Standard length: 10 ft.

## Channels and concrete inserts

### Concrete inserts

#### SI400 Spot insert kit

Std. pack 10

Cat. no.	Thread size	O.D. insert	Wt./C lb
SI400-3/8	$\frac{3}{8}$ -16	2 x $\frac{5}{16}$	10
SI400-1/2	$\frac{1}{2}$ x 13 x 1 $\frac{1}{4}$	2 $\frac{1}{2}$ x $\frac{7}{16}$	35

Other sizes available.

Maximum recommended load:

SI400-3/8 = 450 lb/204 kg

SI400-1/2 = 1,000 lb/454 kg

