

Split kits

Product overview



Split kits are specifically designed to make Schedule 40 and Type C conduit repairs faster and easier. Damaged conduit can be repaired without disturbing the installed wire/cable system. Split kits come in handy 2 feet lengths with 7 inch split couplings on each end. UV-resistant for outdoor use, split kits feature the same durable tongue-and-groove design as our split duct product.

Split kits are manufactured from extra-rugged PVC material. The unique design maintains the same physical performance and dimensional characteristics as the PVC pipe it is repairing. No other repair product can make this offer.

The reason is in the interlocking/tongue-and-groove design that holds the true dimensions of the product, both I.D. and O.D., while maintaining the pipe's physical performance characteristics too.

Verify with local inspection authorities before using.

Split kits...

Conduit repairs made faster and easier.



Features

- Interlocking/tongue-and-groove design to assure dimensional pipe characteristics
- Convenient and handy for easy handling, transport and storage
- 2 ft. lengths for fast/easy conduit repairs eliminates the need for cutting standard 10 ft. lengths to size – get off the jobsite faster.
- Two 7 in. split couplings for a secure fit allows the product to be coupled together for longer repairs; solvent cementable = water-resistant
- Available in two wall types – Schedule 40 (sizes 2 in. through 6 in.), and Type C (4 in.)
- Manufactured from extra-rugged PVC – lightweight, solvent cementable and compatible with all standard pipe fittings

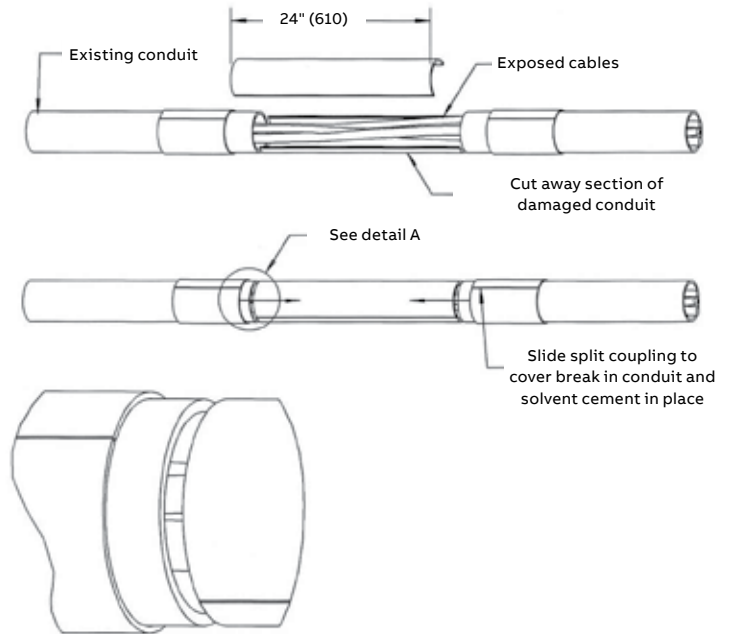
Split kits



Specifications

Cat. no.	Size (in.)	Wall type	Std. ctn. qty.	Std. ctn. wt. (lb)
SK4020	2	Schedule 40	10	24.3
SK4025	2½	Schedule 40	10	49.2
SK4030	3	Schedule 40	8	43.6
SK4040	4	Schedule 40	5	40.5
SK4050	5	Schedule 40	3	34.6
SK4060	6	Schedule 40	2	36.4
SKC40	4	Type C	5	36.2

Diagrams



Detail A
scale 0.500