
3-Gang recessed plate

The Carlon RDV 3-gang old work plate, cat. no. CSC300PR, has been developed to simplify today's in-home entertainment/networking needs. The box is designed to accommodate the wires, cables and cords used with flat panel display installations.

It features a two-gang low voltage opening and a one-gang opening complete with device box (devices and plates not included).

The high-gloss, recessed design eliminates unsightly wires, cables and cords and blends with any décor. The RDV old work plate makes installing flat panel displays faster and easier.



3-Gang recessed plate

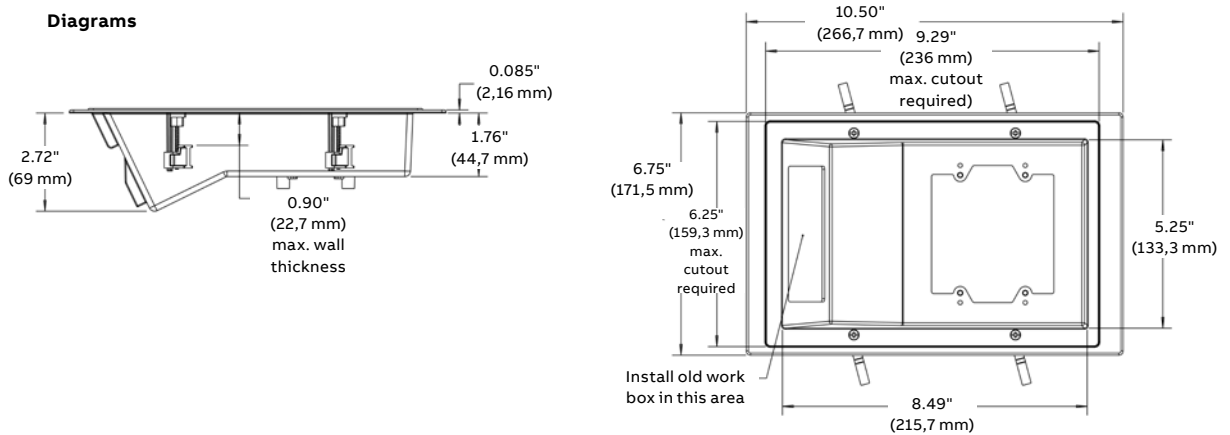
Features

- 3-Gang dual service capability: Accommodates (1) high and (2) low voltage services using one plate (boxes, devices and plates not included)
- Recessed low profile design: Eliminates unsightly wires and plug heads
- Universal 1-gang outlet / switch opening: Including the box you need
- Pre-assembled box and frame: Reduces labor time and saves money
- Shallow design: Provides ample room behind the dry wall and between the studs and accommodates cable bend requirements
- 4 Swing-out clamps: Locks the plate securely to the wall – horizontal or vertical mount
- Superior high-gloss, paintable finish: Professional appearance, blends with any décor
- Nonmetallic, ABS material: Lightweight and easy to handle

Specifications

Cat. no.	Description	Std. carton qty.	Std. carton wt. (lb)
CSC300PR	RDV 3-gang old work plate with outlet box	6	4.84

Diagrams



Installed



Top view showing ample room between drywall and studs.