

Red Dot Weatherproof metallic lampholders

Lampholder covers

Round lampholder covers

- Heavy-duty die-cast construction
- Powder-coat finish in grey, bronze or white
- Three-hole cover is supplied with a 1/2" closure plug
- Supplied with sealing gasket and cover screw



S-12



S213E-R



S201E



LC-21



S203E-R

Standard covers



Cat. no.	Colour	Hub size (in.)	Description	Std. ctn.
Gaskets and screws, 4 1/8" diameter				
S-12	Grey	3/4	One tapped hole	50
S211E	Grey	1/2	One tapped hole	18
S211BRE	Bronze	1/2	One tapped hole	12
S211WHE	White	1/2	One tapped hole	12
S213E-R	Grey	1/2	Three tapped holes	15
S213BRE	Bronze	1/2	Three tapped holes	9
S213WHE	White	1/2	Three tapped holes	9

Single-gang lampholder covers – standard 2 13/16" x 4 1/2"



Cat. no.	Colour	Size (in.)	Description	Std. ctn.
S201E*	Grey	1/2	One-hole device mount	20
S203E-R	Grey	1/2	Three-hole device mount	15
S203BRE	Bronze	1/2	Three-hole device mount	7
S203WHE	White	1/2	Three-hole device mount	7

*cULus



SJ-11



SJ-31

Jumbo covers

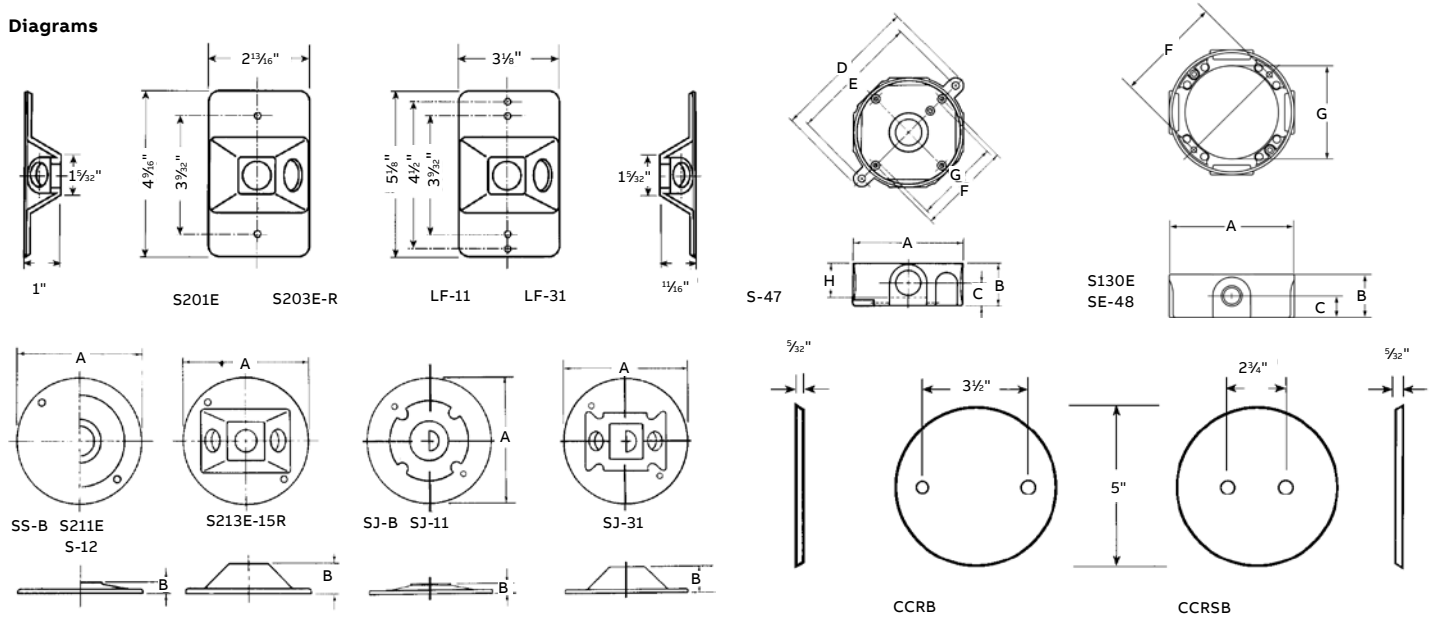


Cat. no.	Colour	Hub size (in.)	Description	Std. ctn.
Gaskets and screws, 4 1/2" diameter				
SJ-11	Grey	1/2	One tapped hole	36
SJ-31	Grey	1/2	Three tapped holes	36

Red Dot Weatherproof metallic lampholders

Dimensions and photometrics

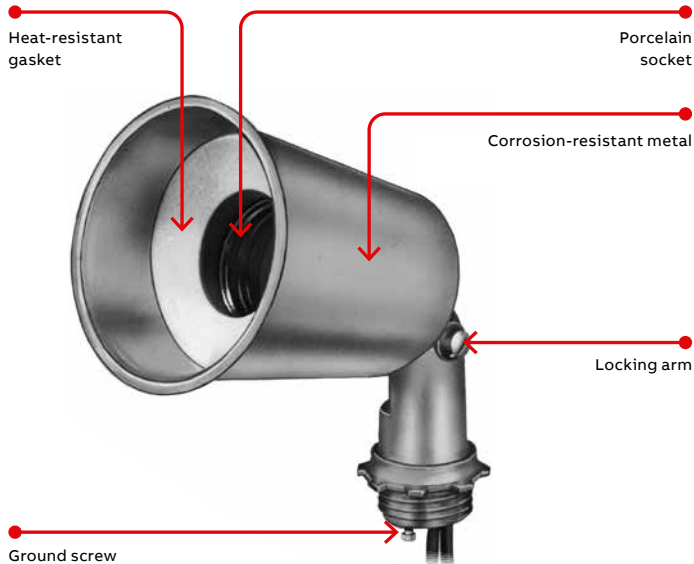
Diagrams



Cat. no.	Hub size	Dimensions (in.)								
		A	B	C	D	E	F	G	H	CI
S-47	1/2	4 1/8	1 5/8	3/4	5 9/16	4 15/16	3 1/2	3 3/8	1 1/4	16.0
S130E	1/2	4 1/8	1 5/8	13/16	-	-	3 1/2	3 1/16	-	18.3
S-48	3/4	4 1/8	1 5/8	7/8	5 9/16	4 15/16	3 1/2	3 3/8	1 1/4	17.0
SE-48	3/4	4 1/8	1 5/8	13/16	-	-	3 1/2	3 1/16	-	18.3
SS-B	-	4 1/8	3/64	-	-	-	-	-	-	-
S211E	1/2	4 1/8	13/32	-	-	-	-	-	-	-
S-12	3/4	4 1/8	3/8	-	-	-	-	-	-	-
S213E-15R	1/2	4 1/8	1 1/16	-	-	-	-	-	-	-
SJ-B	-	4 1/2	3/8	-	-	-	-	-	-	-
SJ-11	1/2	4 1/2	3/8	-	-	-	-	-	-	-
SJ-31	1/2	4 1/2	1	-	-	-	-	-	-	-

Red Dot Weatherproof metallic lampholders

Lampholders, garden lights and accessories



Ground screw



S500EG-CN



S513EG-CN

Applications:

- Security and general outdoor lighting fixture for residential and commercial applications
- Accent lighting fixture for highlighting outdoor signs and architectural details
- Compact outdoor lighting fixture that can be mounted easily in most places and aimed in any direction

Features/benefits:

- Clean lines and precision manufacturing result in a fixture that will enhance any application
- High-quality replaceable porcelain socket with high-temperature leads enables easy field maintenance
- Positive-locking mounting arm keeps fixture in aimed position to reduce costly callbacks
- Ground screw boss in arm

Standard materials:

- Fixture: Zinc die-cast alloy
- Gasket: Heat-resistant composition or high-temperature silicone
- Socket: Center contact, porcelain, medium base

Standard finish:

- Powder-coated finish

Compliances:

- UL listed and CSA certified
- Suitable for use in wet locations

Red Dot Weatherproof metallic lampholders

Lampholders and outlet box kits



S500EG-CN

Lampholders, die-cast zinc



Cat. no.	Colour	Wattage	Description	Std. ctn.
Standard				
S500BREG-CN	Bronze	150W• PAR 38 or R40	Heavy-duty slip-on gasket and ground screw	20
S500WHEG-CN	White	150W• PAR 38 or R40	Heavy-duty slip-on gasket and ground screw	20
S500EG-CN	Grey	150W• PAR 38 or R40	Heavy-duty slip-on gasket and ground screw	20



SPK6-P-GR

Spike lights (zinc)



Cat. no.	Finish	Description
SPK6-P-GR	Green	Portable lamp, 6' cord – metal
SPK6-P-BK	Black	Portable lamp, 6' cord – metal
SPK6-P-BR	Bronze	Portable lamp, 6' cord – metal



S513EG-CN

Decorative floodlight



Cat. no.	Colour	Wattage	Description	Std. ctn.
S513EG-CN	Grey	150W• PAR 38 or R40	Two lampholders, round cover, inside ground screws	8
S513BREG-CN	Bronze	150W• PAR 38 or R40	Two lampholders, round cover, inside ground screws	8
S513WHEG-CN	White	150W• PAR 38 or R40	Two lampholders, round cover, inside ground screws	8

Red Dot Weatherproof metallic lampholders

Lampholders, outlet box kits and vaportight lighting



B228E-R

—
Contemporary floodlight, aluminum



Cat. no.	Colour	Wattage	Description	Std. ctn.
B228E-R	Grey	150W	Two reflectors, round cover, gasket, hardware	2
B228BRE-R	Bronze	150W	Two reflectors, round cover, gasket, hardware	2
B228WHE-R	White	150W	Two reflectors, round cover, gasket, hardware	2



S212G-CN

—
Traditional floodlight



Cat. no.	Colour	Wattage	Description	Std. ctn.
S212G-CN	Grey	150W	Two lampholders, round cover, gasket, round box and hardware	4
S212BRG-CN	Bronze	150W	Two lampholders, round cover, gasket, round box and hardware	4
S212WHG-CN	White	150W	Two lampholders, round cover, gasket, round box and hardware	4



S312E-CN

—
Universal single-gang metallic duplex receptacle outlet box kit, weather- and tamper-resistant, horizontal or vertical

Cat. no.	Colour	Description	Std. ctn.
S312E-CN	Grey	Three ½ in. hubs, 18 cu. in.	4
S312BRE-CN	Bronze	Three ½ in. hubs, 18 cu. in.	4
S312WHE-CN	White	Three ½ in. hubs, 18 cu. in.	4



S315WHE-CN

—
Universal single-gang metallic GFCI receptacle outlet box kit, weather- and tamper-resistant, horizontal or vertical

Cat. no.	Colour	Description	Std. ctn.
S315E-CN	Grey	Three ½ in. hubs, 18 cu. in.	4
S315WHE-CN	White	Three ½ in. hubs, 18 cu. in.	4



MCL150C

MCL150W

—
Ceiling mount and wall mount



Cat. no.	Hub size (in.)	Wattage	Description
Ceiling mount (5 holes)			
MCL150C	1	150W	Can be surface mounted or mounted to a junction box. Kit includes: Aluminum housing, junction box, globe and guard assembly.
Wall mount (5 holes)			
MCL150W	1	150W	Can be surface mounted in a vertical position (globe pointed down only). Kit includes: Aluminum housing, junction box, globe and guard assembly.