

# Circuit Safe

## Pushbutton enclosures

Circuit Safe nonmetallic pushbutton enclosures are molded from engineered thermoplastic material that is resistant to most corrosive agents. Whether predrilled 1-2-3 hole enclosures, blank cover enclosures or enclosures with multiple hole openings, Carlon's pushbutton enclosure series offers high-impact strength, chemical resistance, high dielectric strength and excellent durability for the correct application.



### Features and benefits:

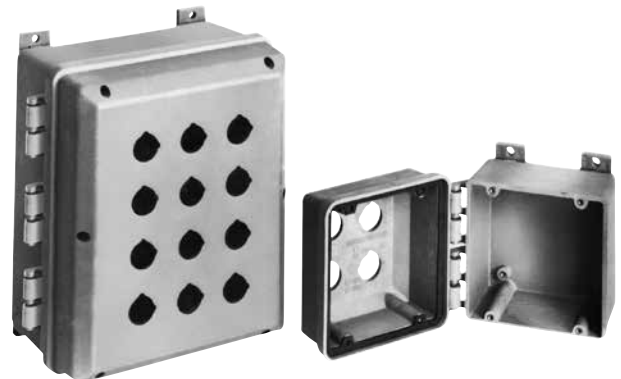
- Engineered thermoplastic base and cover
- 304 stainless steel screws
- Brass screw inserts
- High-impact strength
- Temperature range: -40°C to 85°C (-40°F to 185°F)
- UL94-V2

### Applications:

- Standard oil-tight pushbuttons, switches and pilot lights
- Conduit entries
- Junction boxes
- MRO and OEM applications

### Standards:

- Standards vary by product
- Screw cover pushbutton enclosures with 1-2-3 hole openings are listed per UL 50 for industrial controls
- Narrow-profile blank screw cover enclosures are listed per UL 50 and CSA C22.2 No.94.1 for industrial controls and meet NEMA Type 1, 3, 3S, 3X, 3SX, 4, 4X, 12 and 13
- Nonmetallic hinged cover enclosures with multiple hole openings are UL Listed



## Screw cover enclosures with 1-2-3 hole openings

UL Listed per UL 50 for industrial controls

Wallmount pushbutton enclosures are molded from gray, engineered thermoplastic material that is resistant to most corrosive agents. Universal pushbutton holes are designed to accommodate all standard oil-tight pushbuttons, switches and pilot lights. A grounding plate is included on the cover. Auxiliary devices must be rated for appropriate NEMA applications.

### Features and benefits:

- 30.5mm keyed pushbutton holes\*
- Material: nylon base and cover
- Integrally molded mounting flange
- Brass screw inserts
- 304 (18-8) stainless screws (8-32/3/8")
- Temperature range: -40°C to 85°C (-40°F to 185°F)



### 30.5mm pushbutton enclosures†

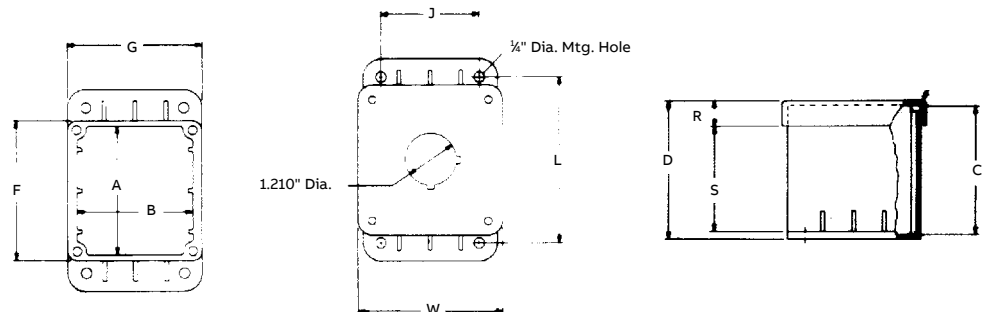
Cat. No.	Style	Inside box size A x B x C	Mounting L x J	Overall outside including mounting bracket H x W x D					Std. Ctn.	Std. Wt. (lb)
				F	G	R	S			
CP100N	One opening	3.13 x 2.81 x 3	4 x 2.38	4.88 x 3.50 x 3.38	3.38	3.25	0.63	2.5	12	9
CP200N	Two openings	5.38 x 2.81 x 3	6.25 x 2.38	7.13 x 3.50 x 3.38	5.63	3.25	0.63	2.5	8	8
CP300N	Three openings	7.38 x 2.81 x 3	8.50 x 2.38	9.38 x 3.50 x 3.38	7.88	3.25	0.63	2.5	6	7.60

### 22mm pushbutton enclosures\*†

Cat. No.	Style	Inside box size A x B x C	Mounting L x J	Overall outside including mounting bracket H x W x D					Std. Ctn.	Std. Wt. (lb)
				F	G	R	S			
PX0010	One opening	3.13 x 2.81 x 3	4 x 2.38	4.88 x 3.50 x 3.38	3.38	3.25	0.63	2.5	10	8.26
PX0007	Two openings	5.38 x 2.81 x 3	6.25 x 2.38	7.13 x 3.50 x 3.38	5.63	3.25	0.63	2.5	8	1.31
PX0011	Three openings	7.38 x 2.81 x 3	8.50 x 2.38	9.38 x 3.50 x 3.38	7.88	3.25	0.63	2.5	6	9.43
PX0008	Four openings	7.38 x 2.81 x 3	8.50 x 2.38	9.38 x 3.50 x 3.38	7.88	3.25	0.63	2.5	6	1.60

\* All Circuit Safe pushbutton enclosures are furnished with standard hole dimensions: 17/32" diameter with keyways at 12 o'clock and 3 o'clock  
 † Dimensions are in inches unless marked otherwise. Operators not included.

### Diagrams



## Narrow-profile blank screw cover enclosures for small instrumentation and control applications

For industrial controls

Meets NEMA 1, 3, 3S, 3X, 3SX, 4, 4X, 12, 13

Blank cover enclosures can be easily drilled with a standard hole saw for conduit entries and pushbuttons. Wallmount enclosures are molded from gray, engineered thermoplastic material and are resistant to most corrosive agents.

### Features and benefits:

- Brass screw inserts
- Material: nylon base and cover
- Integrally molded mounting flange
- 304 (18-8) stainless screws (10-32/3/8")
- Temperature range: -40°C to 85°C (-40°F to 185°F)



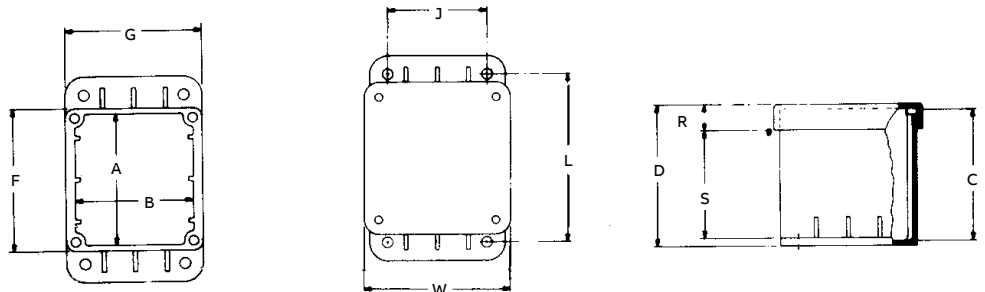
### Blank screw cover enclosures\*\*

Cat. No.	Style	Inside box size A x B x C	Mounting L x J	Overall outside including mounting bracket H x W x D					Std. Ctn.	Std. Wt. (lb)
				F	G	R	S			
CP100NB	Blank cover	3.13 x 2.81 x 3	4 x 2.38	4.88 x 3.50 x 3.38	3.38	3.25	0.63	2.5	12	9.60
CP200NB	Blank cover	5.38 x 2.81 x 3	6.25 x 2.38	7.13 x 3.50 x 3.38	5.63	3.25	0.63	2.5	8	8.8
CP300NB	Blank cover	7.38 x 2.81 x 3	8.50 x 2.38	9.38 x 3.50 x 3.38	7.88	3.25	0.63	2.5	6	8.20

\* All Circuit Safe pushbutton enclosures are furnished with standard hole dimensions: 1/32" diameter with keyways at 12 o'clock and 3 o'clock

† Dimensions are in inches unless marked otherwise.

### Diagrams



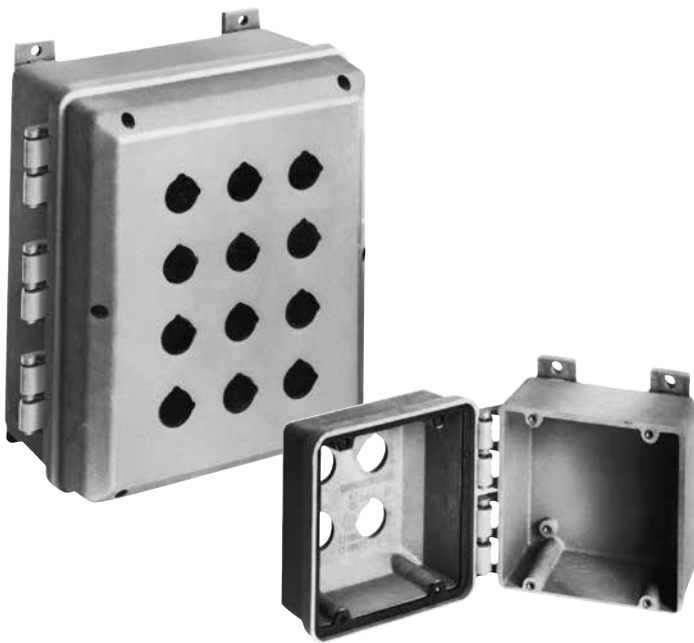
## Hinged cover enclosures

with multiple hole openings

Made from engineered thermoplastic material, these enclosures are ideal for applications that require high-impact strength, chemical resistance, high dielectric strength and excellent weathering capabilities, including indoor/outdoor industrial, MRO and OEM applications. Nonmetallic hinges are an integral part of the mold. Removable cover enables easy field adjustment. Auxiliary devices must be rated for appropriate NEMA applications.

### Features and benefits:

- Nonmetallic mounting feet and all mounting hardware included
- White-painted 14-gauge steel or 1½" PVC back panel (order separately)
- Material: engineered thermoplastic base and cover
- 304 stainless screws
- Brass screw inserts
- Lid design provides greater usable volume
- Completely nonmetallic hinges
- Temperature range: -40°C to 85°C (-40°F to 185°F)



### Screw cover pushbutton enclosures with multiple 30.5mm openings\*



Cat. No.	Openings	Inside box size (in.)	Weight (lb)	Std. Ctn.	Panel Cat. No.	Size (in.) Steel/PVC
J665P	4	6 x 6 x 5.88	2.42	1	JP66 / JP66P	4.88 x 4.88
J863P	6	8 x 6 x 3.63	1.86	1	JP86 / JP86P	6.75 x 4.88
J1085P	9	10 x 8 x 5.88	3.59	1	JP108 / JP108P	8.75 x 6.88
J12106P	12	12 x 10 x 6.88	4.29	1	JP1210 / JP1210P	10.75 x 8.88
J14126P	20	14 x 12 x 6.88	7.19	1	JP1412 / JP1412P	12.75 x 10.88
J16147P	25	16 x 14 x 7.63	11.20	1	JP1614 / JP1614P	14.75 x 12.88

For enclosures larger than 25 position, please call customer service.

\* All Circuit Safe pushbutton enclosures are furnished with standard hole dimensions:

1½" diameter with keyways at 12 o'clock and 3 o'clock.

Special openings or positionings available on request.