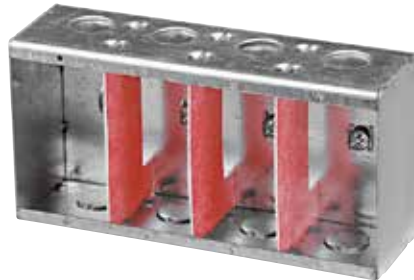


347 V Boxes



CIMBS-1-HV



CIMBS-4-HV (1 gang to 4 gangs)



CIMBD-1-HV



CIMBD-4-HV (1 gang to 4 gangs)



| Cat. No. | Volume (Cu. in.) | Number of gangs | Width (in.) | Knockouts ¹ / ₂ in ends |
|--|------------------|-----------------|---------------------------------|---|
| 2 ³/₈ in. deep x 4 in. high | | | | |
| CIMBS-1-HV | 20.25 | 1 | 2 ¹ / ₄ | 2 |
| CIMBS-2-HV | 20.25 / gang | 2 | 4 ¹ / ₁₆ | 4 |
| CIMBS-3-HV | 20.25 / gang | 3 | 5 ⁷ / ₈ | 6 |
| CIMBS-4-HV | 20.25 / gang | 4 | 7 ¹¹ / ₁₆ | 8 |
| 3 ³/₈ in. deep x 4 in. high | | | | |
| CIMBD-1-HV | 22.5 | 1 | 2 ¹ / ₄ | 4 |
| CIMBD-2-HV | 22.5 / gang | 2 | 4 ¹ / ₁₆ | 8 |
| CIMBD-3-HV | 22.5 / gang | 3 | 5 ⁷ / ₈ | 12 |
| CIMBD-4-HV | 22.5 / gang | 4 | 7 ¹¹ / ₁₆ | 16 |

Note: All HV boxes have tapped holes spaced 3 ¹⁷/₃₂ in. to accommodate 347 V switches. Standard lateral spacing 1 ¹³/₁₆ in., on pre-ganged boxes. Pre-ganged boxes include fibre partitions

Partitions only

Accessories

CIMBS-HV-PART

CIMBD-HV-PART

347 V Boxes

Boxes and kits



BC52171-HV-KIT*



BC52171-KSSXHVKIT*



CI1204-1-HV



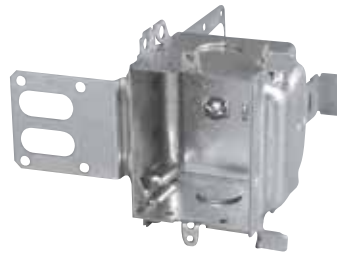
CI1204-2-HV



CI1204-LA-HV



CI1204-LSSAX-HV



CI1204-SSX-HV



| Cat. No. | Volume (Cu. in.) | Number of Gangs | Dimensions H x W x D (in.) | Ears | Clamps | Features Brackets | Knockouts 1/2 in. ends | Pryouts ends |
|----------------------------------|------------------|-----------------|----------------------------|----------|--------|-------------------|------------------------|--------------|
| 2 1/2 in. deep – gangable | | | | | | | | |
| BC52171-HV-KIT* | 33.6 | 1 | 4 x 4 x 2 1/8 | – | – | – | 2 | – |
| BC52171-KSSXHVKIT* | 33.6 | 1 | 4 x 4 x 2 1/8 | – | – | – | 2 | – |
| CI1204-1-HV | 16.0 | 1 | 3 x 2 1/4 x 2 1/2 | recessed | – | – | 2 | – |
| CI1204-2-HV | 32.0 | 2 | 3 x 4 1/2 x 2 1/2 | recessed | – | – | 4 | – |
| CI1204-LA-HV | 16.0 | 1 | 3 x 2 1/4 x 2 1/2 | flush | BX | – | – | 4 |
| CI1204-LSSAX-HV | 19.5 | 1 | 3 x 2 1/4 x 2 1/2 | – | BX | “SSX” | – | 4 |
| CI1204-SSX-HV | 19.5 | 1 | 3 x 2 1/4 x 2 1/2 | – | – | “SSX” | 2 | – |
| CI1204-SS1X-HV | 16.0 | 1 | 3 x 2 1/4 x 2 1/2 | – | – | “SSX” | 2 | – |
| CI1204-LSSAX-HV-1 | 19.5 | 1 | 3 x 2 1/4 x 2 1/2 | – | BX | “SSX” | – | 4 |

Note: All HV boxes have tapped holes spaced 3 17/32 in. to accommodate 347 V switches. CI1204-2-HV includes CIHVP partition. On multigang boxes lateral spacing 2 1/4 in. When ganged, CIHVP partition must be installed between spacers.

* 1/2 in. raised cover. Must be purchased as a kit. The tile ring cover alone as well as the box alone are not available.

347 V Boxes

Boxes and covers



CI1110-HV



BC11-C-4-HV



BC11-C-5-HV



CI11-C-10-HV



CIFS-1G-1/2-HV / CIFS-1G-3/4-HV
Includes stamped aluminum "FS" cover.



CIFS-9-HV



| Cat. No. | Volume (Cu. in.) | Number of Gangs | Dimensions H x W x D (in.) | Features Raised Ground Screw | Knockouts 1/2 in. ends |
|---|------------------|-----------------|----------------------------|------------------------------|------------------------|
| 1 7/8 in. deep | | | | | |
| CI1110-HV | 16.5 | 1 | 4 x 2 3/8 x 1 7/8 | yes | 2 |
| 347 V "FS" box kits – 1 7/8 in. deep (cast aluminum) | | | | | |
| CIFS-1G-1/2-HV | 14.0 | 1 | 6 x 2 13/16 x 1 7/8 | yes | 1 x 1/2 hub |
| CIFS-1G-3/4-HV | 14.0 | 1 | 6 x 2 13/16 x 1 7/8 | yes | 1 x 3/4 hub |

Note: All HV boxes have tapped holes spaced 3 17/32 in. to accommodate 347 V switches.

| Cat. No. | Description |
|---------------------------------|-------------------|
| 347 V Utility box covers | |
| BC11-C-4-HV | Blank |
| BC11-C-5-HV | One toggle switch |
| CI11-C-10-HV | Decora |

| Cat. No. | Description |
|--|-------------------|
| 347 V "FS" Cover (stamped aluminum) | |
| CIFS-9-HV | One toggle switch |

Mounting screws included.

347 V Boxes

Covers and accessories



CIHVP



CISBEX-HV



CI6851-HV



CI6852-HV



CI6853-HV



CI6854-HV



| Cat. No. | Description |
|--|-----------------------------|
| 347 V Stainless steel wall plates (for CI1204-HV boxes) | |
| CI6851-HV | Single 347 V toggle switch |
| CI6852-HV | Two 347 V toggle switches |
| CI6853-HV | Three 347 V toggle switches |
| CI6854-HV | Four 347 V toggle switches |

Note: Device mounting screws included. Lateral spacing 2¹/₄ in. on CI6852-HV / CI6853-HV / CI6854-HV

| Cat. No. | Description |
|-----------------------------------|--|
| 347 V Partitions (steel) | |
| CIHVP | High voltage partition to be used with 347 V boxes (CI1204 series) when ganged |
| 347 V Device box extension | |
| CISBEX-HV | 2 in. x 3 in. 347 V – Maximum adjustable depth – 1 ⁷ / ₈ in. – complete with mounting screws |

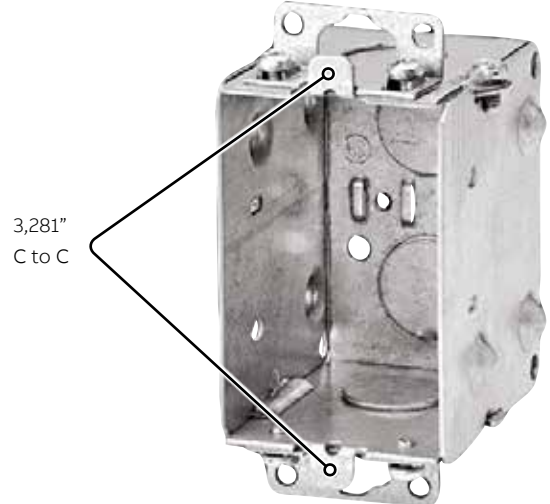
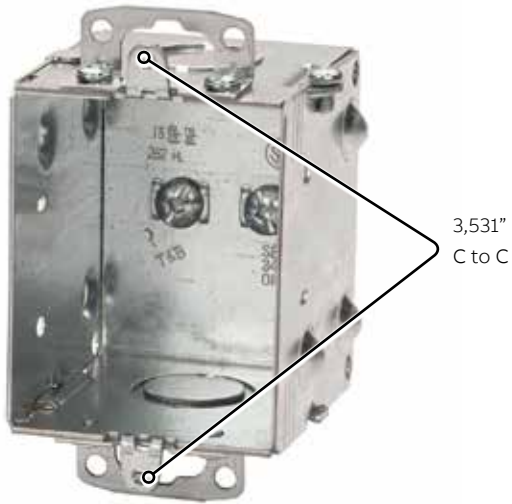
347 V Boxes

HV (347 V) vs Regular box spacing



CI1204-1-HV

BC1104



Extension Rings



CISBEX-HV

CISBEX

